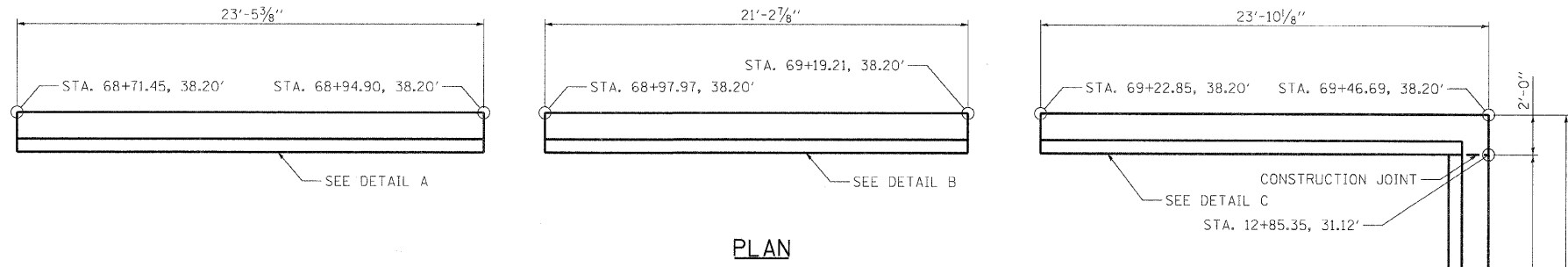
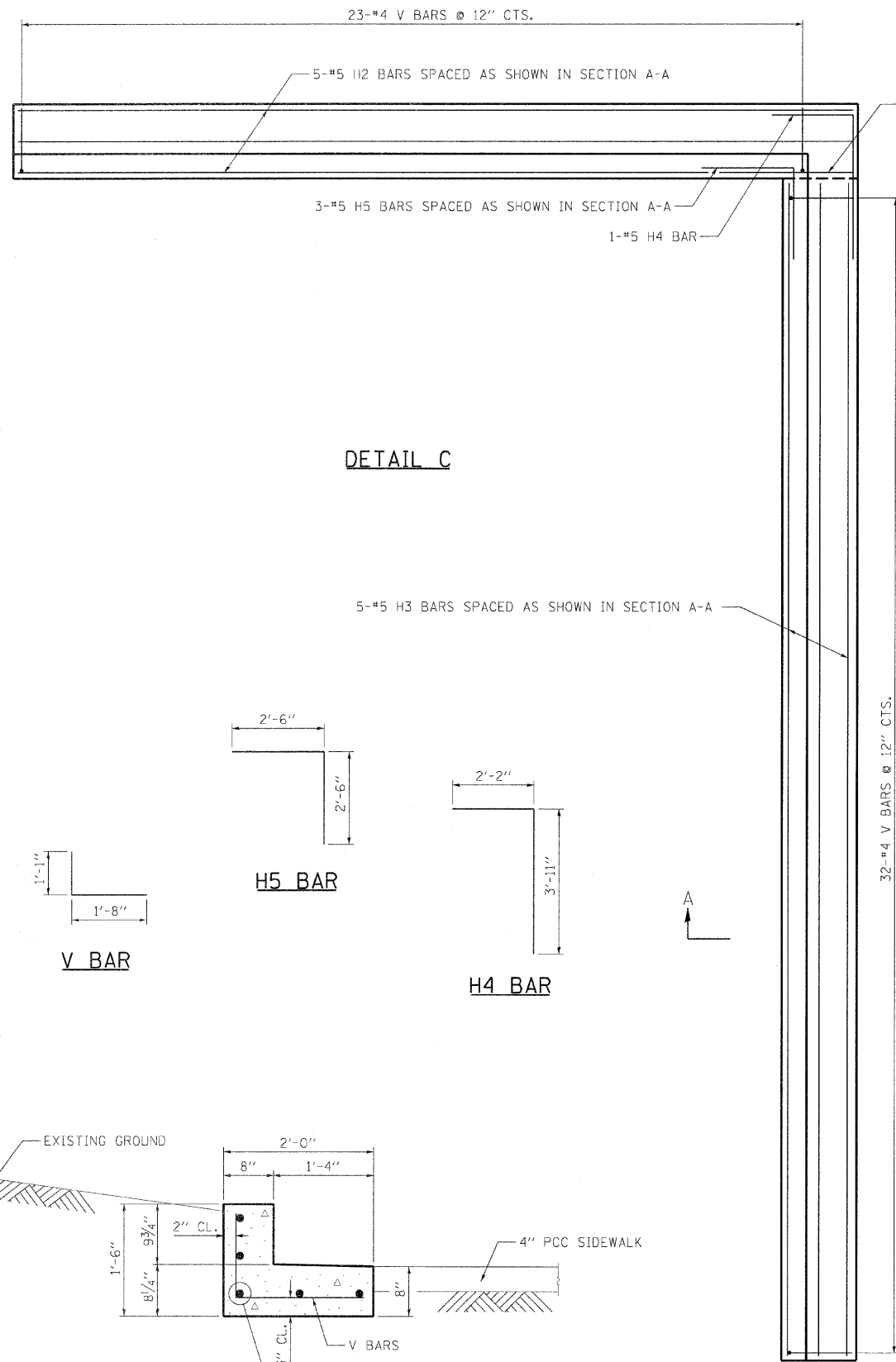
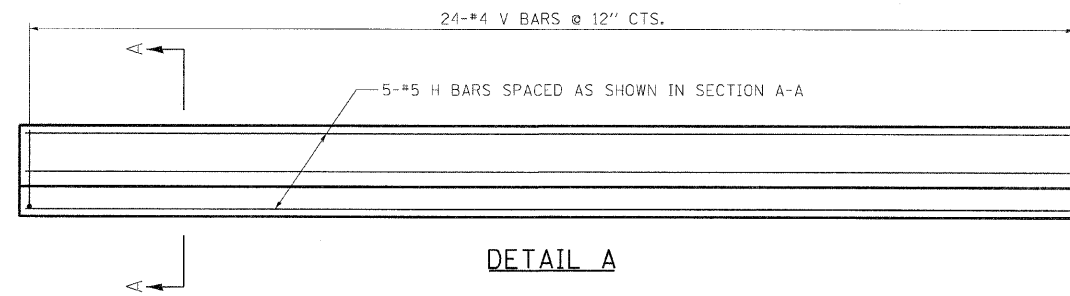


F.A.U. RTE.	SECTION	COUNTY	TOTAL SHEETS	SHEET NO.
7982	*	SANGAMON	63	58
STA. 12+53.83		TO STA. 12+85.35		
FED. ROAD DIST. NO. ILLINOIS FED. AID PROJECT				
* 10-00447-04-PV CITY OF SPRINGFIELD				

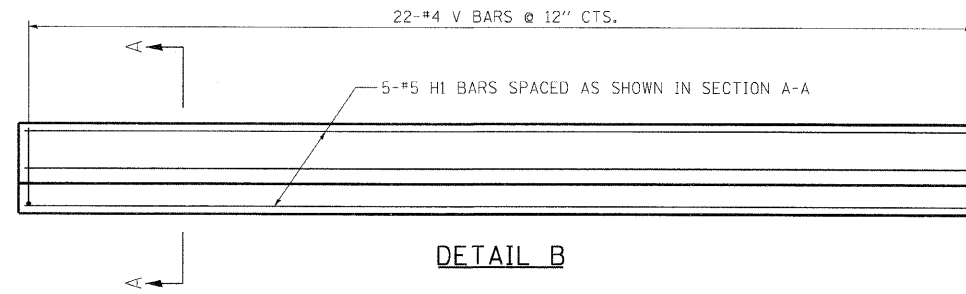


PLAN

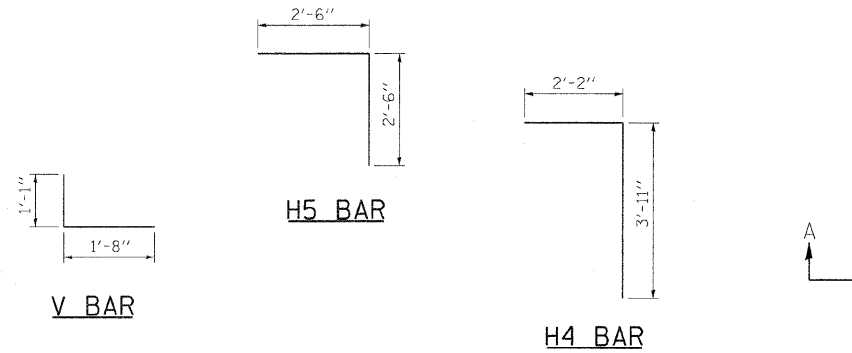
DETAIL C



DETAIL A

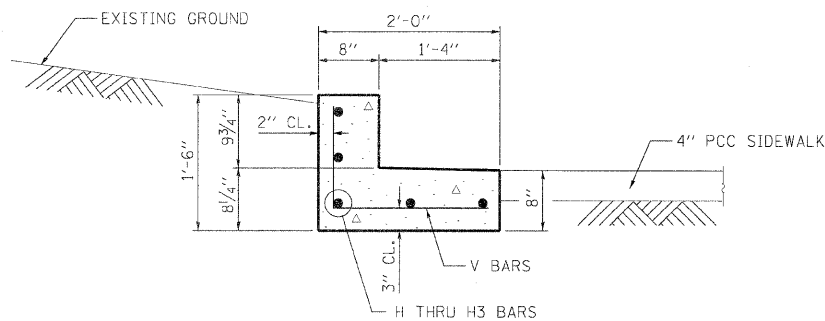


DETAIL B



32-#4 V BARS @ 12" CTS.

STA. 12+53.83, 31.14'



SECTION A-A

MIN. BAR LAPS

#5 BAR: 2'-2"

BILL OF MATERIAL

BAR	NO.	SIZE	LENGTH	SHAPE
H	5	#5	23'-2"	—
H1	5	#5	21'-0"	—
H2	5	#5	23'-6"	—
H3	5	#5	31'-3"	—
H4	1	#5	6'-1"	└
H5	3	#5	5'-0"	└
V	101	#4	2'-9"	└
Reinforcement Bars			Pounds	730
Concrete Structures			Cu. Yd.	7.1
Structure Excavation			Cu. Yd.	23

REVISIONS	
NAME	DATE

ILLINOIS DEPARTMENT OF TRANSPORTATION
 WALL CURB DETAIL
 FAU RTE 7982 CAPITOL AVE
 SEC NO. 10-00447-04-PV
 SANGAMON COUNTY, ILLINOIS

SCALE: VERT. DRAWN BY DAP
 HORIZ. CHECKED BY MNM
 DATE 11/19/10