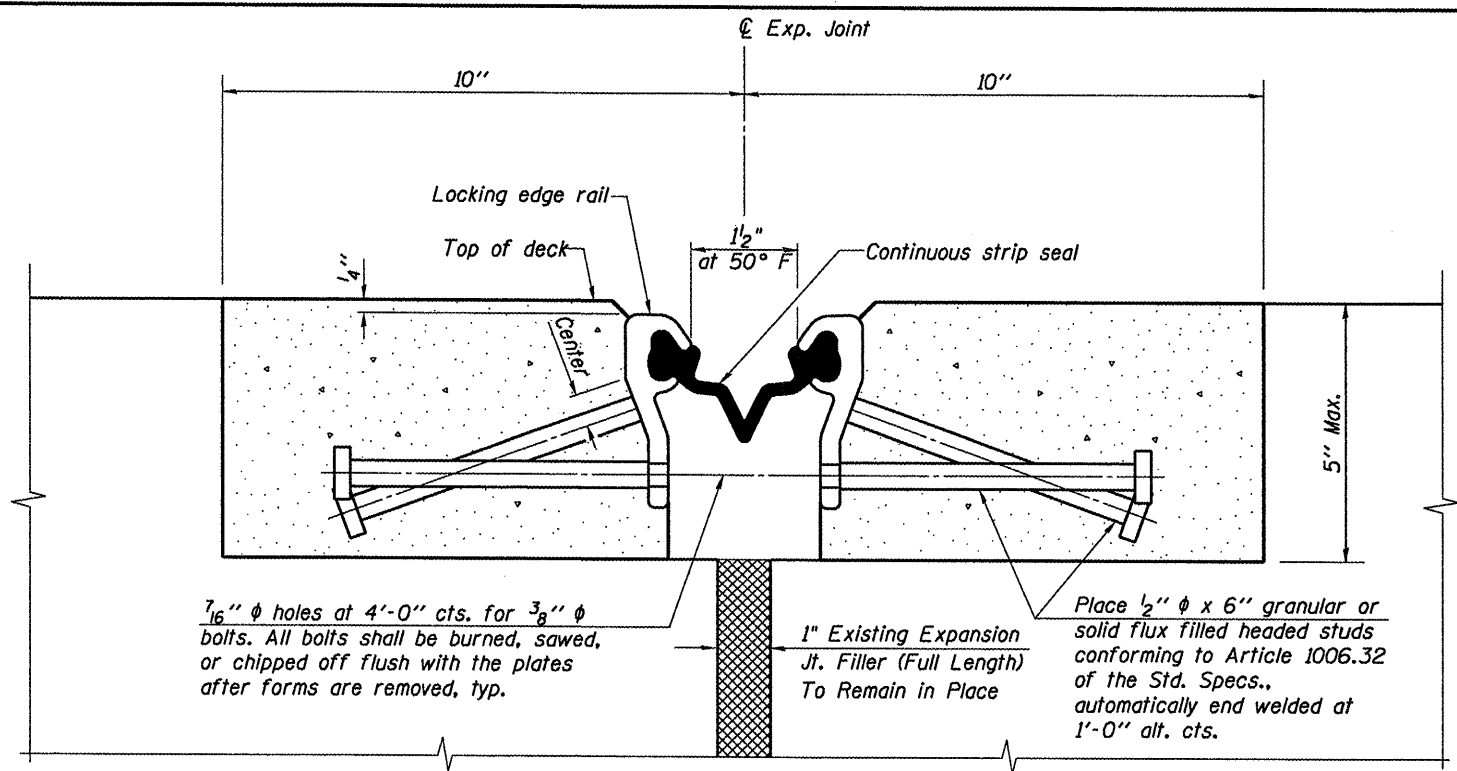


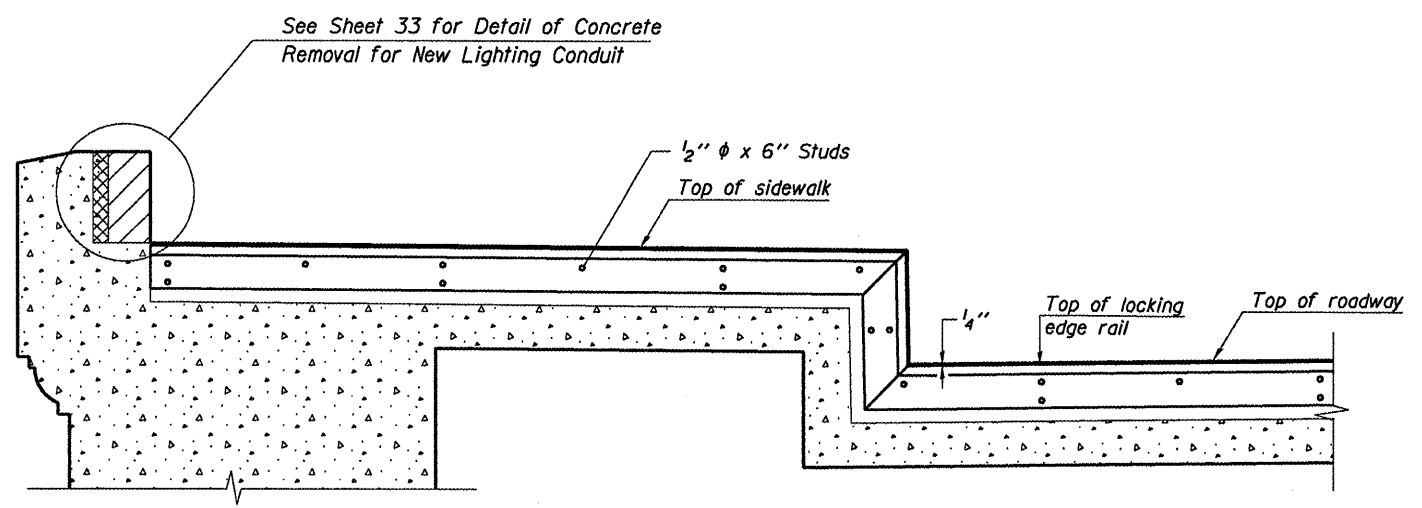
CONCRETE REMOVAL AT EXISTING NEOPRENE JOINT
(17 Locations)



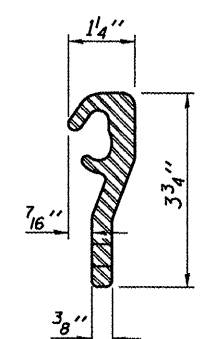
PROPOSED SECTION THRU STRIP SEAL JOINT
(17 Required)

SECTION A-A
(TYPICAL AT JOINTS 2, 4, 5, 6 THRU 16, 17, 18, & 20)

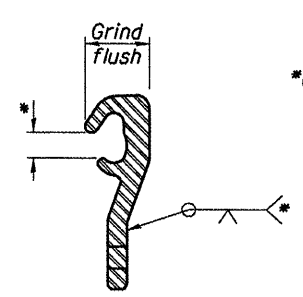
**Sawcut Edge 1" deep



SECTION THRU STRIP SEAL JOINT AT SIDEWALK & CURB
(Stone Railing Not Shown)



LOCKING EDGE RAIL



LOCKING EDGE RAIL SPLICE

Notes:
The strip seal shall be made continuous and shall have a minimum thickness of 1/4". The configuration of the strip seal shall match the configuration of the Locking Edge Rails.
The height and thickness of the Locking Edge Rails shown are minimum dimensions. The actual configuration of the Locking Edge Rails and matching strip seal may vary from manufacturer to manufacturer. Flanged edge rails will not be allowed.
The inside of the Locking Edge Rail groove shall be free of weld residue.
Locking Edge Rails may be spliced at slope discontinuities and stage construction joints.
The manufacturer's recommended installation methods shall be followed.

BILL OF MATERIAL

Item	Unit	Total
Preformed Joint Strip Seal	Foot	600

Notes:

The removal and replacement of the existing concrete necessary to replace the expansion joints shall be done in accordance with the special provision for Deck Slab Repairs. This work will be measured and paid for as DECK SLAB REPAIR (PARTIAL) and shall include the cost to remove and dispose of the existing neoprene expansion joints.

No vehicles will be allowed on spans 6 through 16 during the removal and replacement of the expansion joints in those spans. Limit equipment loads to 3000 pounds maximum in these spans during expansion joint removal and replacement, and until new concrete has been allowed to cure a minimum of 14 days.

EXPANSION JOINT DETAILS
VACHEL LINDSAY BRIDGE REHABILITATION
LONG BAY DRIVE OVER LAKE SPRINGFIELD
SPRINGFIELD, ILLINOIS



JOB = 2207	DESIGNED	M.D.C.
FILE = 2207expjoint.dgn	CHECKED	A.A.N.
DATE = 2/9/2011	DRAWN	T.S.H.
	CHECKED	M.D.C.

F.A.U. RTE.	SECTION	COUNTY	TOTAL SHEETS	SHEET NO.
8003	09-00469-00-BR	SANGAMON	36	30
CITY OF SPRINGFIELD		CONTRACT NO.		
FED. ROAD DIST. NO.		ILLINOIS FED. AID PROJECT		

93546