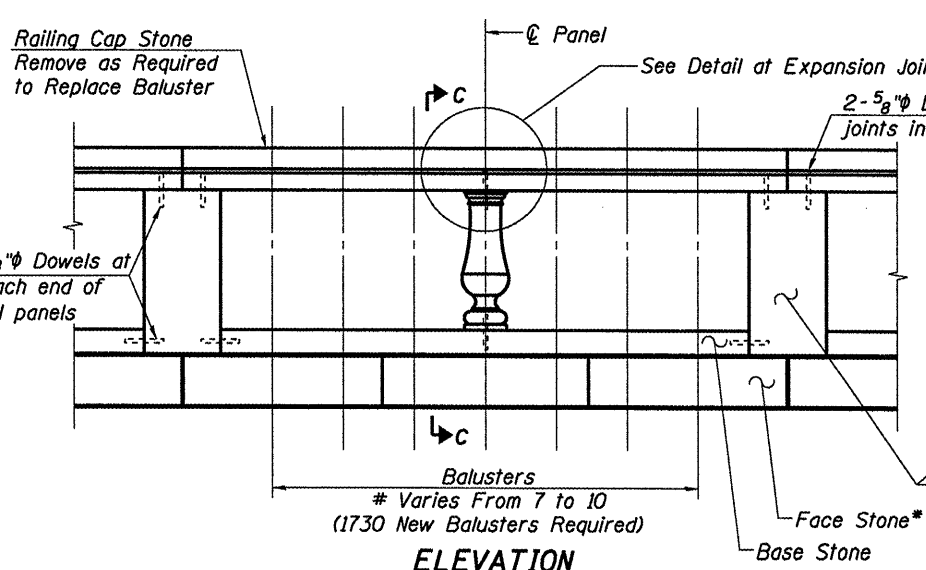
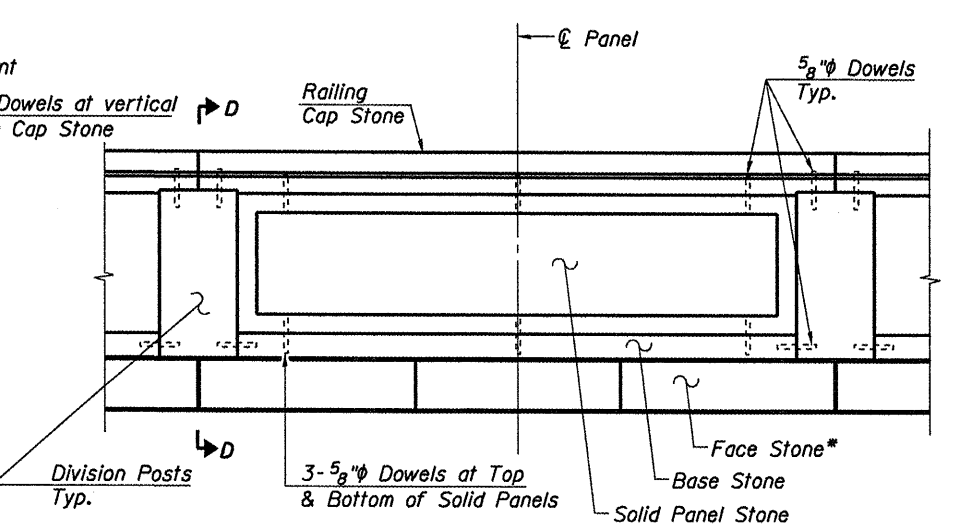


**ELEVATION AT PIER PANEL**



**ELEVATION AT BALUSTER PANEL**

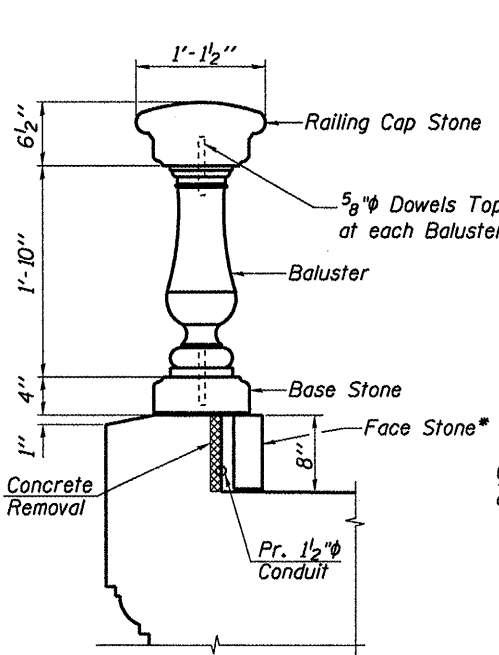


**ELEVATION AT SOLID PANEL**

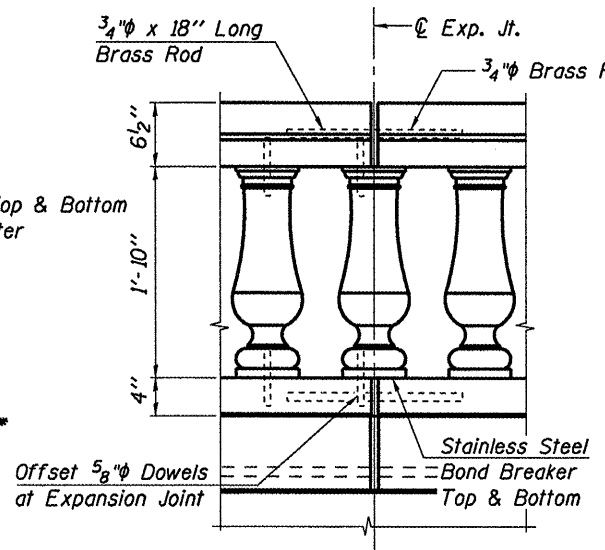
**STONE RAILING NOTES**

**RAILING RESTORATION**

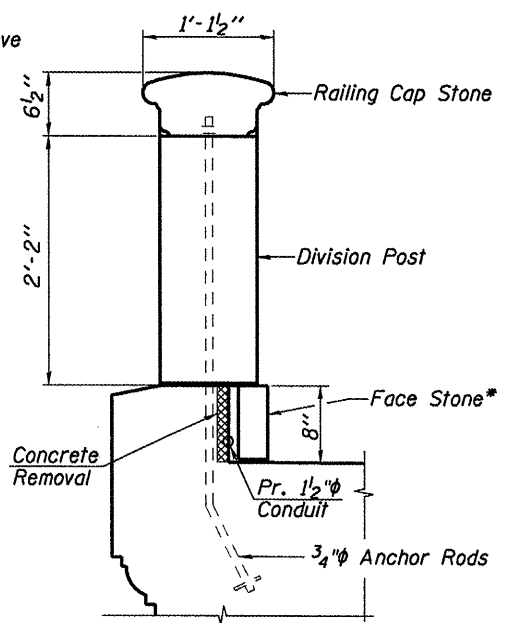
- The entire stone railing shall be renovated as follows:
1. All balusters shall be removed and replaced. See the Special Provision for Remove and Replace Balusters. This work involves removing and resetting the railing cap stones at all baluster panels.
  2. Remove and reset the Face Stone along the entire length of both sides of the bridge. This stone will be reset to allow placement of the new lighting conduit and to permit removal and replacement of the exiting expansion joints.
  3. Remove and reset the Pier Panel Stones and the center Pier Cap Stone as required to install the new light pole foundation locations.
  4. Remove and replace any damaged stones. See the Schedule of Railing Stones to be Replaced on Sheet 33.
  5. Clean and tuckpoint all remaining mortar joints in the railing that are not affected by the above work.



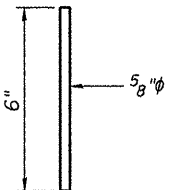
**SECTION C-C THRU BALUSTER PANEL**



**DETAIL AT EXPANSION JOINT THRU STONE RAIL AT CENTER OF CANTILEVER SPANS**



**SECTION D-D THRU DIVISION POST**



**REPLACEMENT DOWEL DETAIL**

Stainless Steel in accordance with Article 1006.31(b)

Note: The original 5/8 inch brass pipe dowels and the 3/4 inch brass rods used in the existing railing may be re-used provided that they are in good condition. All damaged or missing dowels or rods shall be replaced with new stainless steel dowels or rods. Replacement dowels, rods, pins and any other hardware required to reset the rail elements shall not be measured separately but shall be included in the cost of the railing work.

**RAILING DETAILS  
VACHEL LINDSAY BRIDGE REHABILITATION  
LONG BAY DRIVE OVER LAKE SPRINGFIELD  
SPRINGFIELD, ILLINOIS**

<b>CEC</b> Cummins Engineering Corporation Civil and Structural Engineering	JOB = 2207	DESIGNED	M.D.C.
	FILE = 2207rail.dgn	CHECKED	A.A.N.
	DATE = 2/9/2011	DRAWN	T.S.H.
		CHECKED	M.D.C.

\* See Railing Restoration Note 2.

F.A.U. RTE.	SECTION	COUNTY	TOTAL SHEETS	SHEET NO.
B003	09-00469-00-BR	SANGAMON	36	31
CITY OF SPRINGFIELD		CONTRACT NO.		
FED. ROAD DIST. NO.	ILLINOIS FED. AID PROJECT	93546		