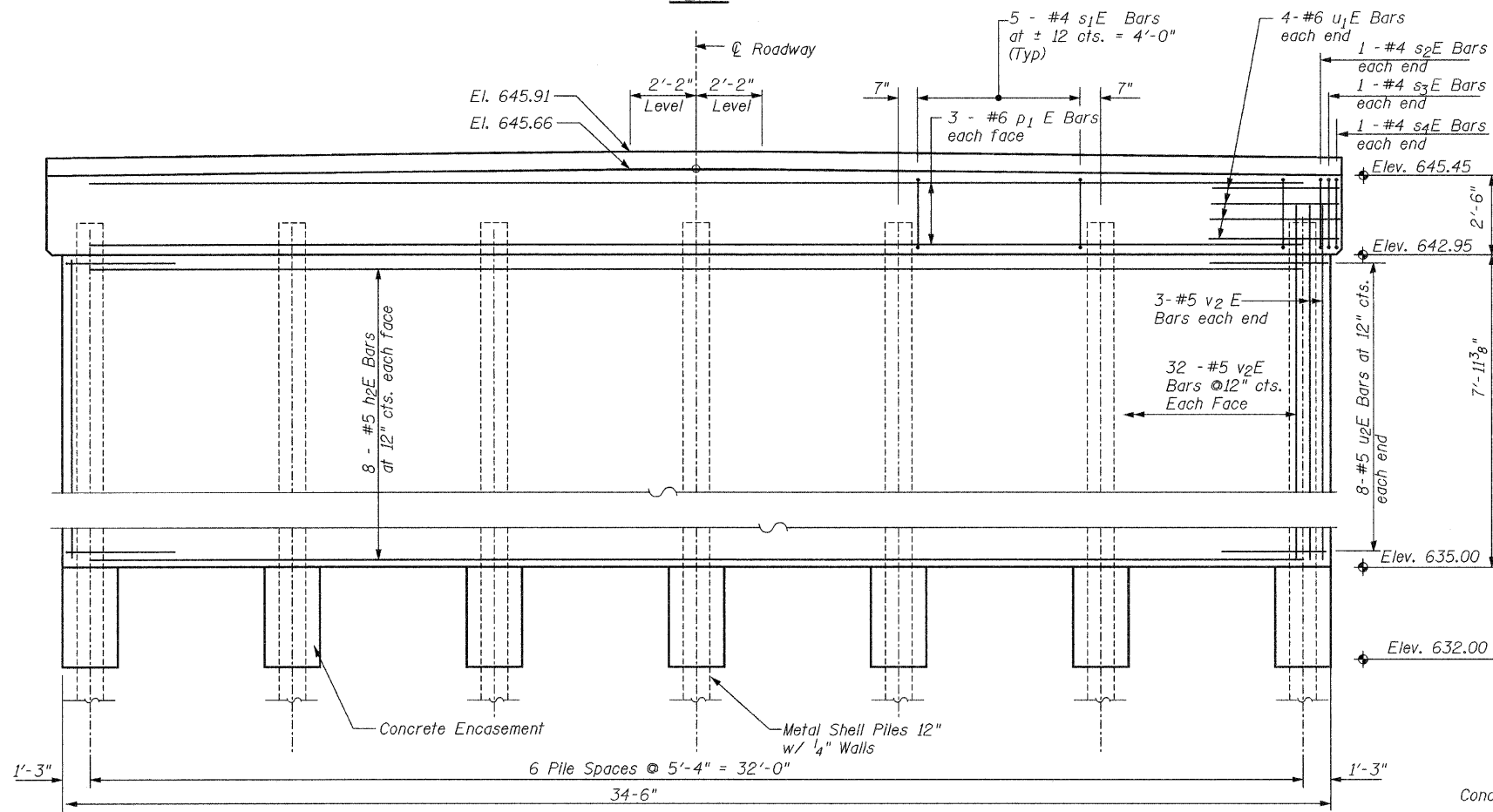
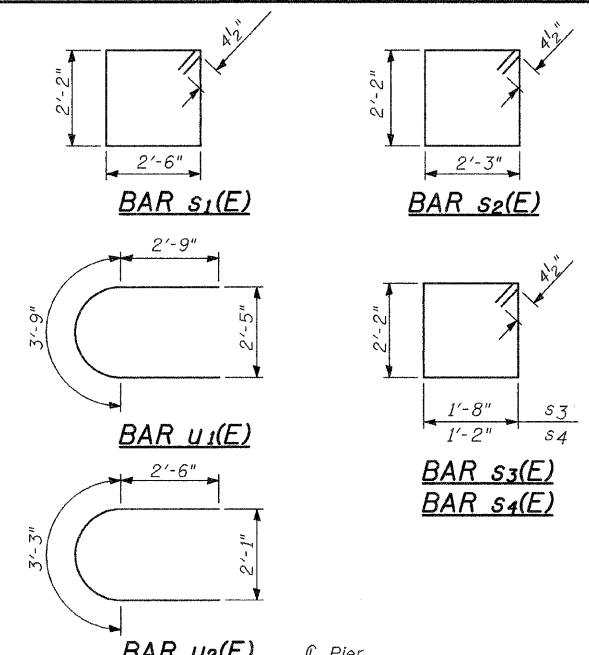


**PLAN**



**ELEVATION**  
(Looking North)



**SECTION THRU PIER**

**BILL OF MATERIAL**

BOTH PIERS				
Bar	No.	Size	Length	Shape
h <sub>2</sub> E	32	#5	31'-6"	
p <sub>1</sub> E	12	#6	31'-6"	
s <sub>1</sub> E	60	#4	10'-1"	□
s <sub>2</sub> E	4	#4	9'-7"	□
s <sub>3</sub> E	4	#4	8'-5"	□
s <sub>4</sub> E	4	#4	7'-5"	□
u <sub>1</sub> E	16	#6	9'-3"	U
u <sub>2</sub> E	32	#5	8'-3"	U
v <sub>2</sub> E	140	#5	8'-9"	
Structure Excavation		Cu.Yd.	60	
Concrete Structures		Cu.Yd.	66	
Concrete Encasement		Cu.Yd.	7.6	
Reinforcement Bars, Epoxy Coated		Pound	3870	
Furnishing Metal Shell Piles 12"x0.250"		Foot	322	
Driving Piles		Foot	322	
Underwater Structure Excavation Protection Location 1		Each	1	
Underwater Structure Excavation Protection Location 2		Each	1	

**PILE DATA**

Type & Size:	Metal Shell Piles 12" x 0.250"
No. Required (Pier 1):	7
No. Required (Pier 2):	7
Nominal Required Bearing:	200 kips
Allowable Resistance Available:	100 kips
Est. Length (Pier 1):	23 Ft.
Est. Length (Pier 2):	23 Ft.

Notes:  
After beams have been erected, holes shall be drilled into substructure and anchor dowels placed. Dowel holes shall be filled with non-shrink grout to top of beam and allowed to cure min. 24 hrs. prior to grouting the shear keys.  
See sheet 10 of 14 for bearing pad details.

**PIER DETAILS**  
**STRUCTURE NO. 070-4334**

RTE.	SECTION	COUNTY	TOTAL SHEETS	SHEET NO.
TR99A	03-03126-00-BR	MOULTRIE	14	9
CONTRACT NO. 95636				

**THE UPCHURCH GROUP, INC.**

FED. ROAD DIST. NO. 7 ILLINOIS FED. AID PROJECT