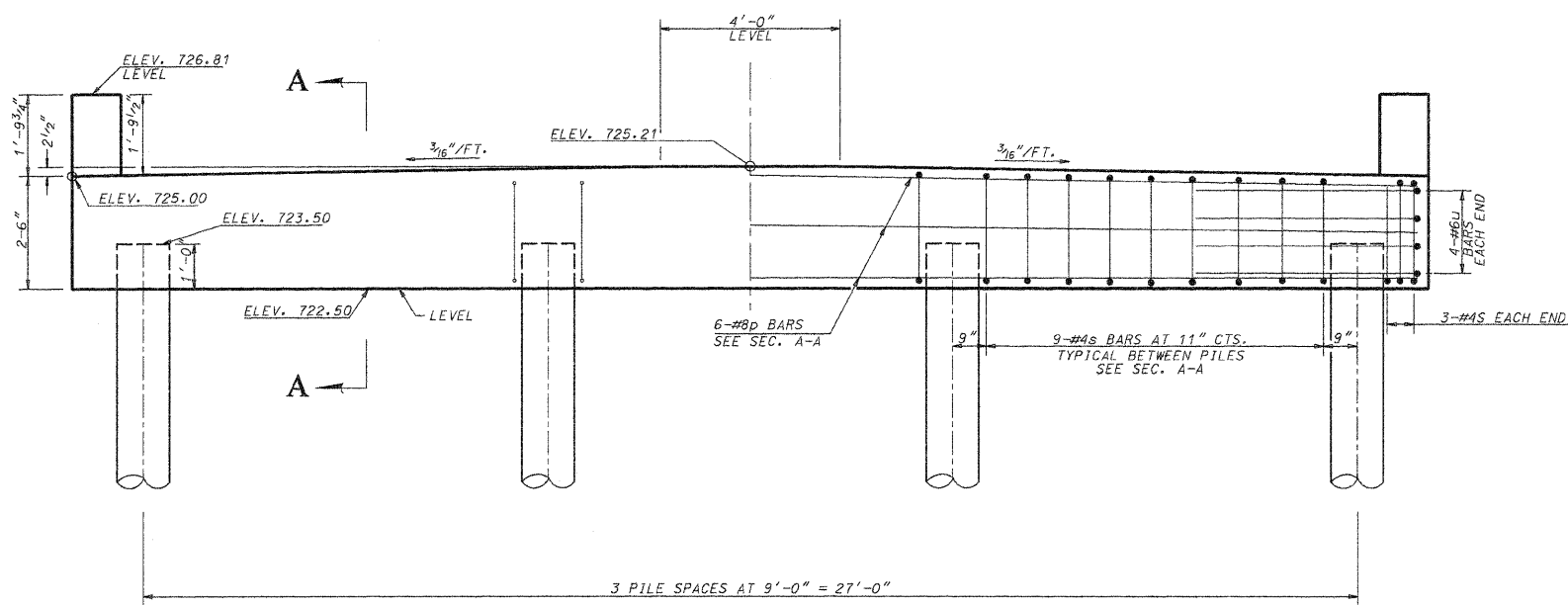
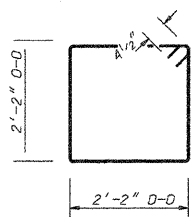


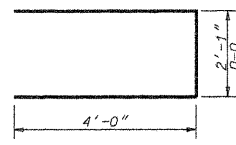
PLAN



ELEVATION



BAR s



BAR u

PILE DATA

NORTH ABUTMENT

SOUTH ABUTMENT

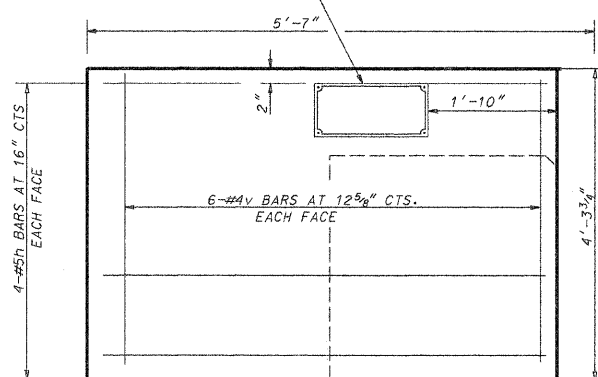
TYPE
NO. REQUIRED
ALLOWABLE RESISTANCE AVAILABLE
NOMINAL REQUIRED BEARING
EST. LENGTH

CONCRETE (14" METAL SHELL)
4 *
70 KIPS/PILE
416 KIPS/PILE
33 FT.

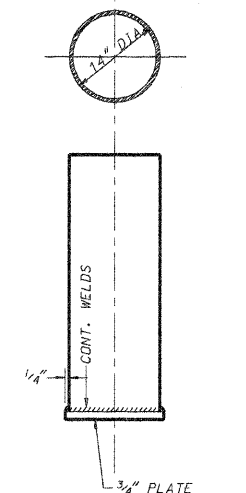
CONCRETE (14" METAL SHELL)
4
70 KIPS/PILE
416 KIPS/PILE
21 FT.

*INCLUDES ONE TEST PILE TO BE DRIVEN AT PERMANENT LOCATION IN THE NORTH ABUTMENT.

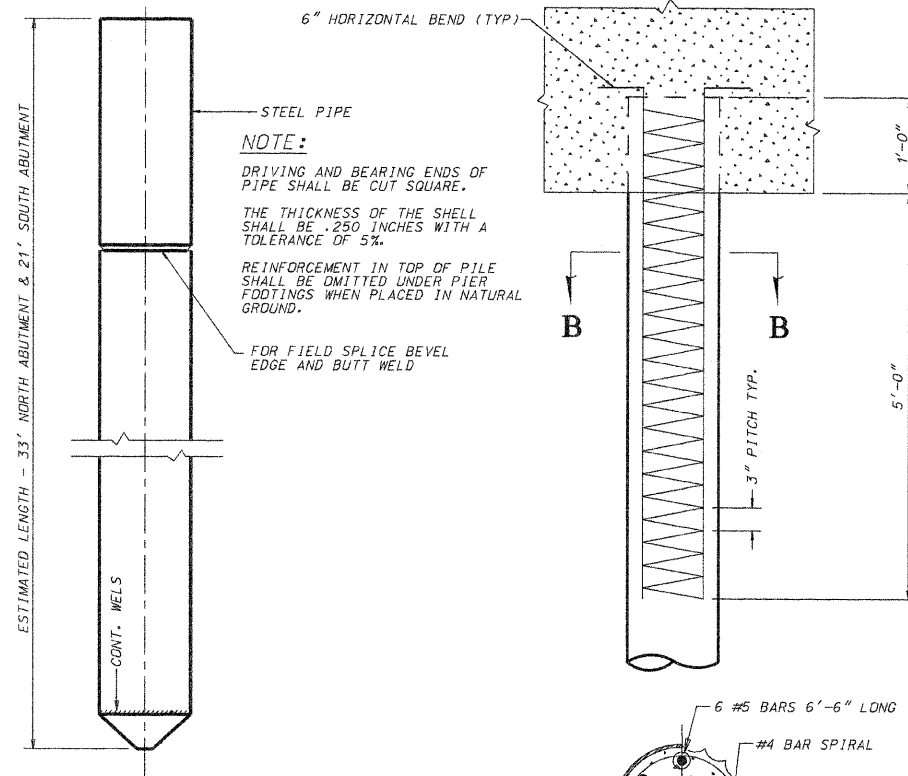
LOCATE NAME PLATE ON THE OUTSIDE FACE OF THE EAST WING OF THE SOUTH ABUTMENT.



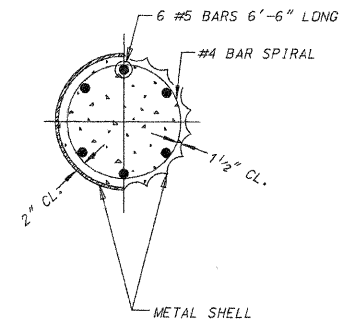
WINGWALL ELEVATION



OPTIONAL FLAT END

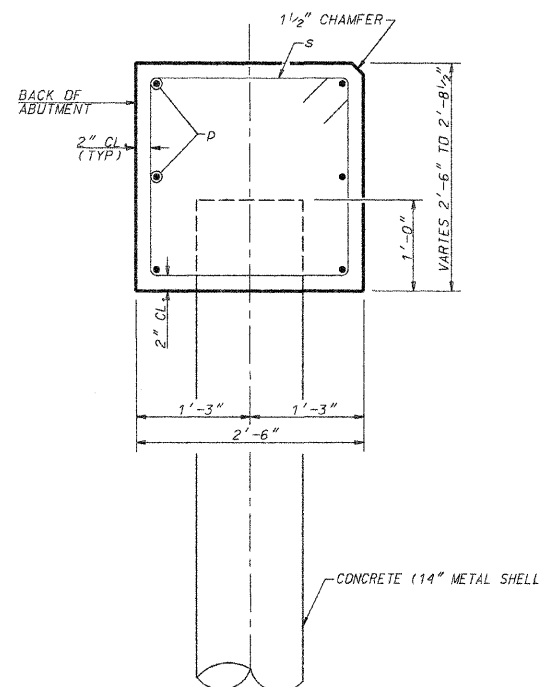


DETAIL OF CYLINDRICAL STEEL SHELL FOR CAST IN PLACE CONCRETE PILES



THE COST OF REINFORCEMENT IS INCIDENTAL TO THE COST OF FURNISHING PILES

DETAIL OF REINFORCEMENT FOR METAL SHELLS



SECTION A-A

NOTES: THE WINGS SHALL BE POURED AFTER THE DECK BEAMS ARE IN PLACE.

ALL EXPOSED EDGES SHALL BE CHAMFERED 3/4" UNLESS OTHERWISE NOTED.

BILL OF MATERIAL TWO ABUTMENTS

BAR	NO.	SIZE	LENGTH	SHAPE
h	32	#5	5'-3"	—
p	12	#8	29'-10"	—
s	66	#4	9'-5"	□
u	16	#6	10'-1"	□
v	48	#4	4'-0"	—
CONCRETE STRUCTURES			CU. YD.	18.6
REINFORCEMENT BARS			POUND	1920
FUR. METAL PILE SHELLS 14"			FOOT	183
TEST PILE METAL SHELLS			EACH	1
DRIVING AND FILLING SHELLS			FOOT	183
STRUCTURE EXCAVATION			CU. YD.	33

ABUTMENT DETAILS
SECTION 92-00109-00-BR
HUTTON ROAD DISTRICT
COLES COUNTY

McCLINTOCK
CIVIL ENGINEERING SERVICE
404 SHAW AVENUE, PARIS, TX 75686
PHONE (214) 466-6110

DRN TDL DATE 8/8/98 SHEET 7 OF 12
REV. SDE DATE 9/8/09
APPR. JDB NO. 3137-362-96