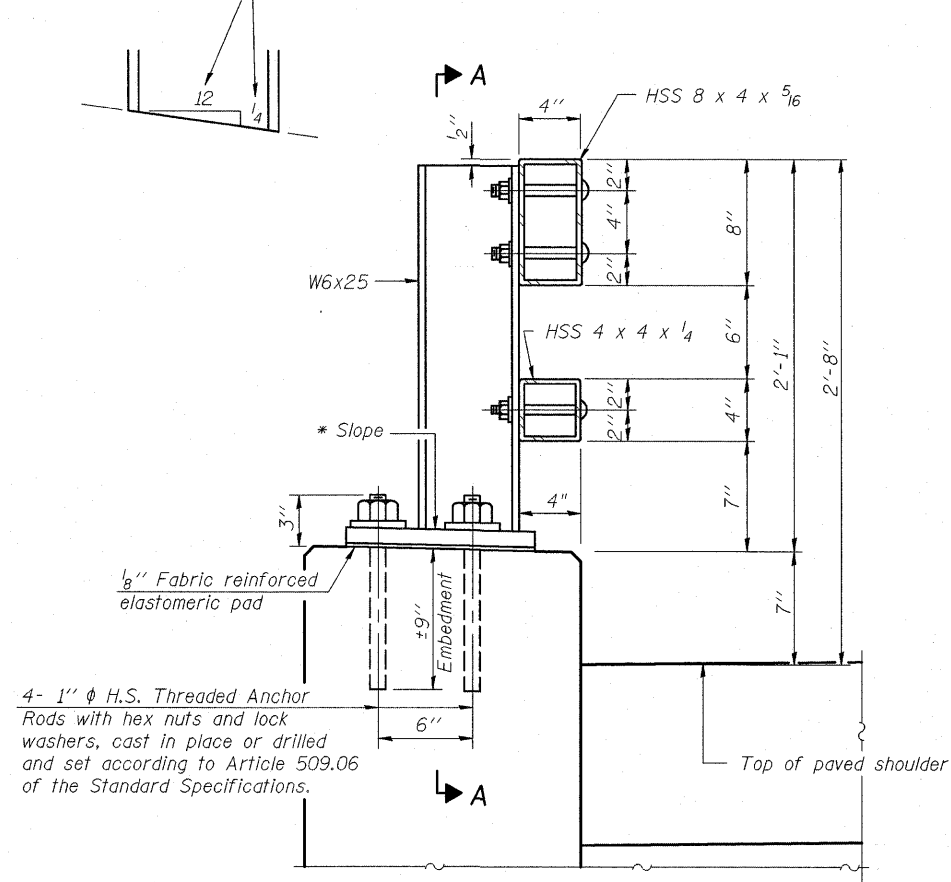
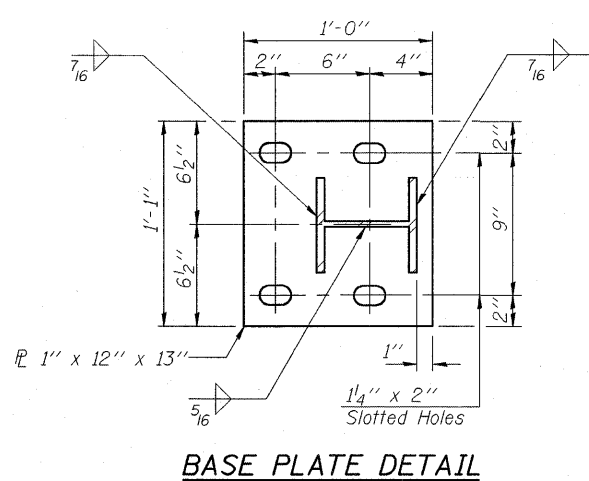


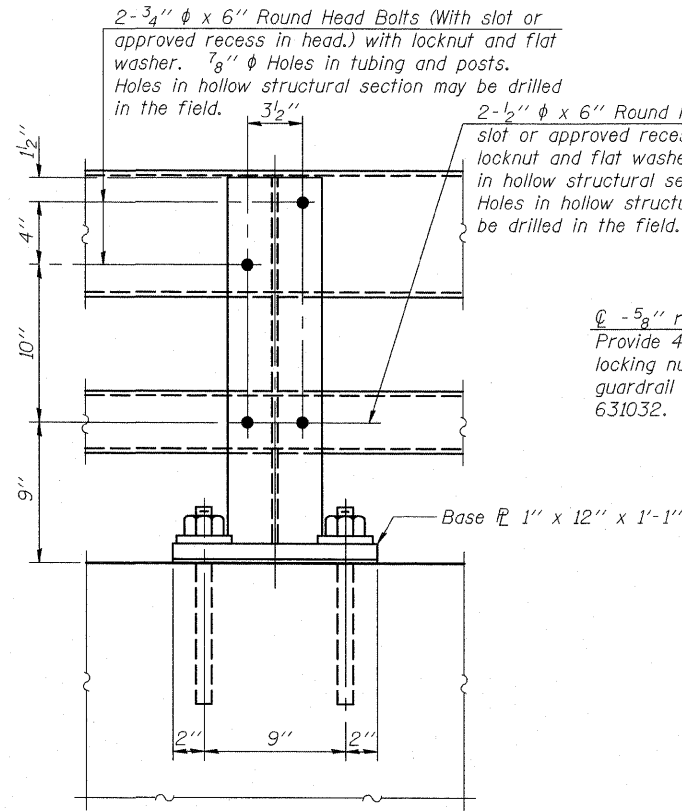
\* Cut bottom end of post to curb slope.



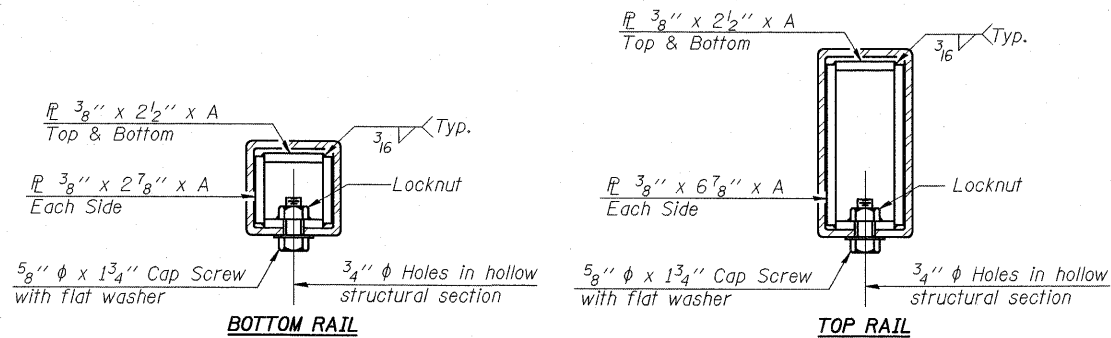
SECTION AT RAIL POST



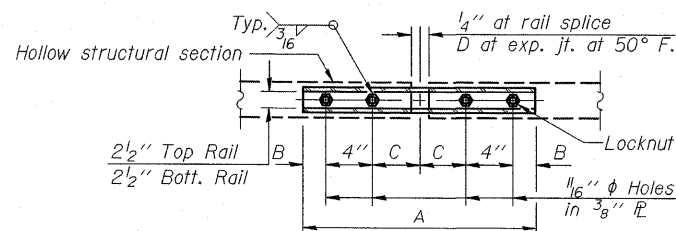
BASE PLATE DETAIL



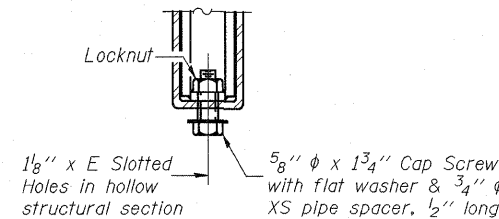
SECTION A-A



SECTIONS AT RAIL SPLICE

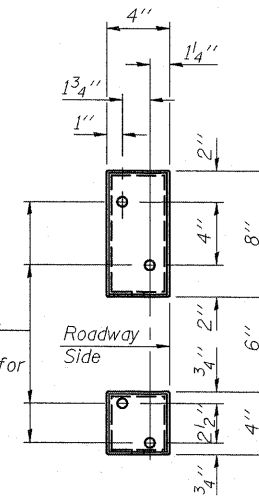


PLAN-BOTT. SPLICE AT TYPICAL

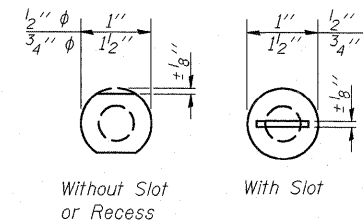


RAIL SPLICE CONNECTION AT EXPANSION JT.

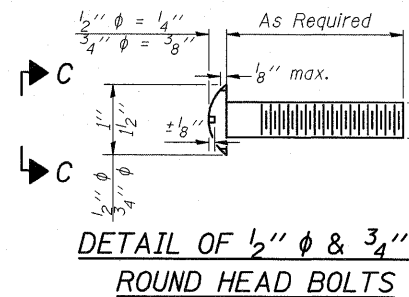
4 - 5/8" reduced base welded studs. Provide 4 - 5/8" washers and self-locking nuts or nuts and jam nuts for guardrail connection shown on Std. 631032.



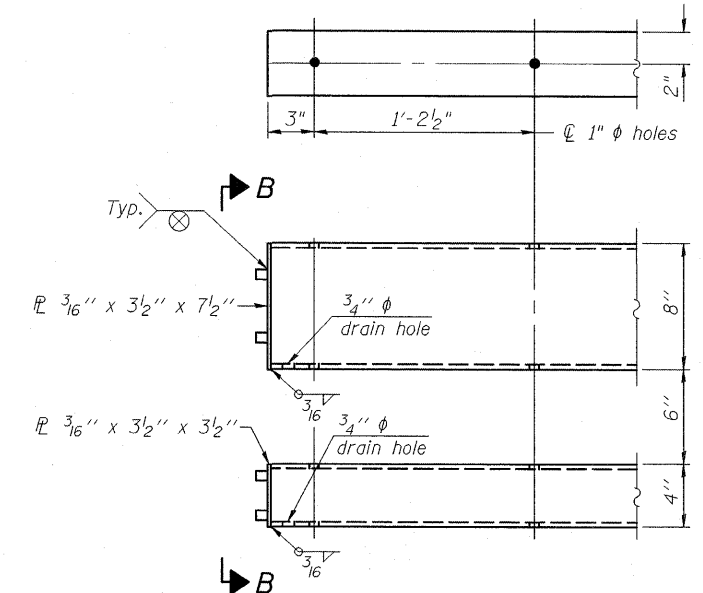
VIEW B-B



VIEW C-C



DETAIL OF 1/2" diameter & 3/4" diameter ROUND HEAD BOLTS



END OF RAIL DETAILS

Notes:

All field drilled holes shall be coated with an approved zinc rich paint before erection.  
 Posts shall not be located closer than 1'-3" to an existing bridge expansion joint or end of bridge.  
 Steel Bridge Rail expansion joint shall be provided between any two (2) posts which span a bridge expansion joint. Bolts located at expansion joint shall be provided with locknuts and shall be tightened only to a point that will allow railing movement.  
 Provide one 1/8" and two 1/16" steel shims for 25% of the posts. Shims shall be similar to base plates in size and holes.  
 All steel rail elements shall be galvanized according to Article 509.05 of the Standard Specifications.

SPLICE DIMENSIONS

T	D	A	B	C	E
≤ 4"	2 1/2"	1'-8"	2"	4"	2 1/2"
> 4" ≤ 6 1/2"	3 3/4"	2'-0"	2 1/2"	5 1/2"	3 1/2"
> 6 1/2" ≤ 9"	5"	2'-4"	3 1/2"	6 1/2"	9"
> 9" ≤ 13"	7"	2'-10"	4 1/2"	8 1/2"	11"
Rail Splice	1/4"	1'-8"	2"	4"	—

T = Total movement at expansion joint as shown on the design plans.

BILL OF MATERIAL

Item	Unit	Quantity
Steel Railing, Type 2399	Foot	53

(6'-3" Maximum Post Spacing)

FILE NAME = 0762006-98854-05-StlRail.dgn	USER NAME = HAS	DESIGNED - MTD 06/10	REVISIONS -	<b>STATE OF ILLINOIS DEPARTMENT OF TRANSPORTATION</b>	<b>STEEL RAILING, TYPE 2399 STRUCTURE NO. 076-2006</b>	F.A.P. RTE. 778	SECTION 3B-1	COUNTY POPE	TOTAL SHEETS 50	SHEET NO. 34	
PLOT SCALE = 0.1" = 1'-0"	DRAWN - DWH 06/10	CHECKED - MJW 09/10	REVISIONS -			CONTRACT NO. 98854					
PLOT DATE = 12/27/2010 10:27:31 AM	CHECKED - MTD 12/10	REVISIONS -	REVISIONS -			SHEET NO. 5 OF 7 SHEETS					
ILLINOIS FED. AID PROJECT AID											