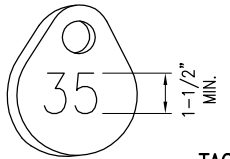
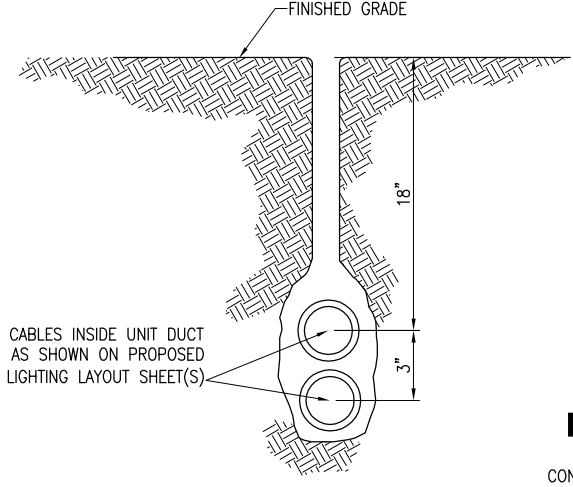
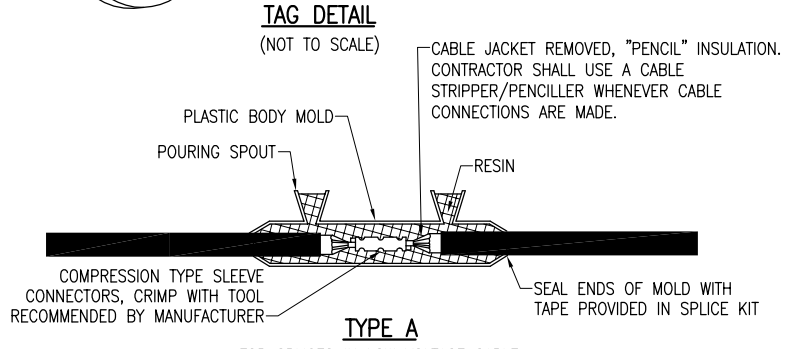


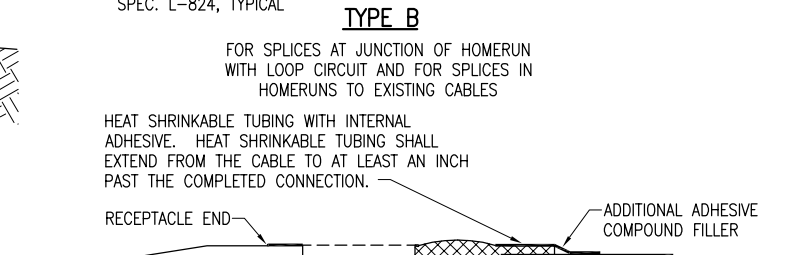
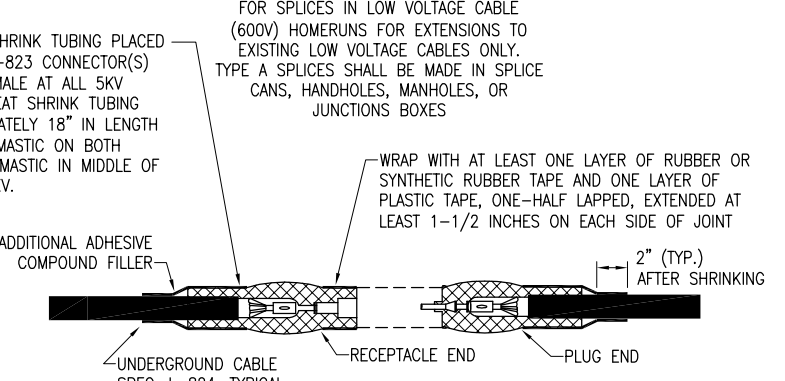
NOTES:
 DETAIL NUMBERS INDICATE NO. OF CABLES.
 TRENCHES WITH MORE THAN SEVEN CABLES SHALL BE INCREASED 3" IN WIDTH FOR EACH ADDITIONAL CABLE; IF SPECIFIED ON PLANS TWO PARALLEL TRENCHES MAY BE CONSTRUCTED.
 DEPTH OF TRENCHES SHALL BE AS SHOWN ABOVE UNLESS OTHERWISE SPECIFIED ON THE PLANS.
 ALL DISTURBED SURFACES SHALL BE RESTORED TO THEIR ORIGINAL CONDITION. COST IS INCIDENTAL TO TRENCH.



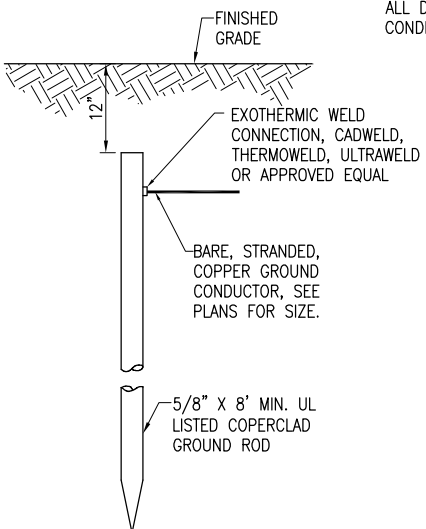
NOTE:
 AFFIX NON-CORROSIVE TAG TO FIXTURE FACING RUNWAY WITH SET SCREW, WIRE TIE, OR METAL BAND. NUMERALS SHALL BE ENGRAVED FOR PERMANENT READABILITY.



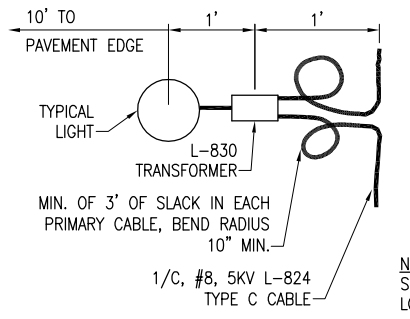
CONTINUOUS HEAT SHRINK TUBING PLACED OVER THE ENTIRE L-823 CONNECTOR(S) BOTH MALE AND FEMALE AT ALL 5KV JUNCTIONS. THE HEAT SHRINK TUBING SHALL BE APPROXIMATELY 18" IN LENGTH WITH 6 INCHES OF MASTIC ON BOTH ENDS AND VOID OF MASTIC IN MIDDLE OF TUBE RATED FOR 5KV.



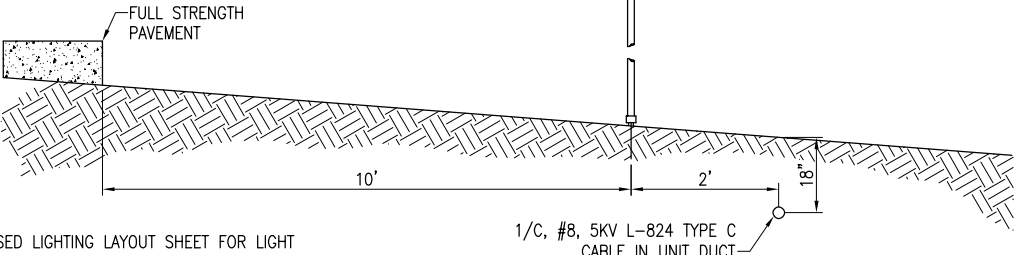
NOTE:
 SEE PROPOSED LIGHTING LAYOUT SHEET(S) FOR SPLICE TYPE.
 INSIDE DIAMETER OF CONNECTOR SHALL PROPERLY MATCH THE OUTSIDE DIAMETER OF CABLE.



CABLE TRENCHES
 (NOT TO SCALE)



PER FAA AC 150/5340-30E DESIGN AND INSTALLATION DETAILS FOR AIRPORT VISUAL AIDS, A LIGHT BASE GROUND MUST BE INSTALLED AT EACH STAKE MOUNTED LIGHT AND EACH TRANSFORMER BASE/LIGHT CAN ASSOCIATED WITH RUNWAY LIGHTS, TAXIWAY LIGHTS, AND LIGHTED TAXI GUIDANCE SIGNS. THE LIGHT BASE GROUND SHALL BE A #6 AWG BARE COPPER CONDUCTOR BONDED TO THE GROUND LUG ON THE RESPECTIVE L-867 TRANSFORMER BASE/LIGHT CAN OR MOUNTING STAKE AND A 5/8-INCH DIAMETER BY 8-FOOT LONG (MINIMUM) UL LISTED COPPER CLAD GROUND ROD.

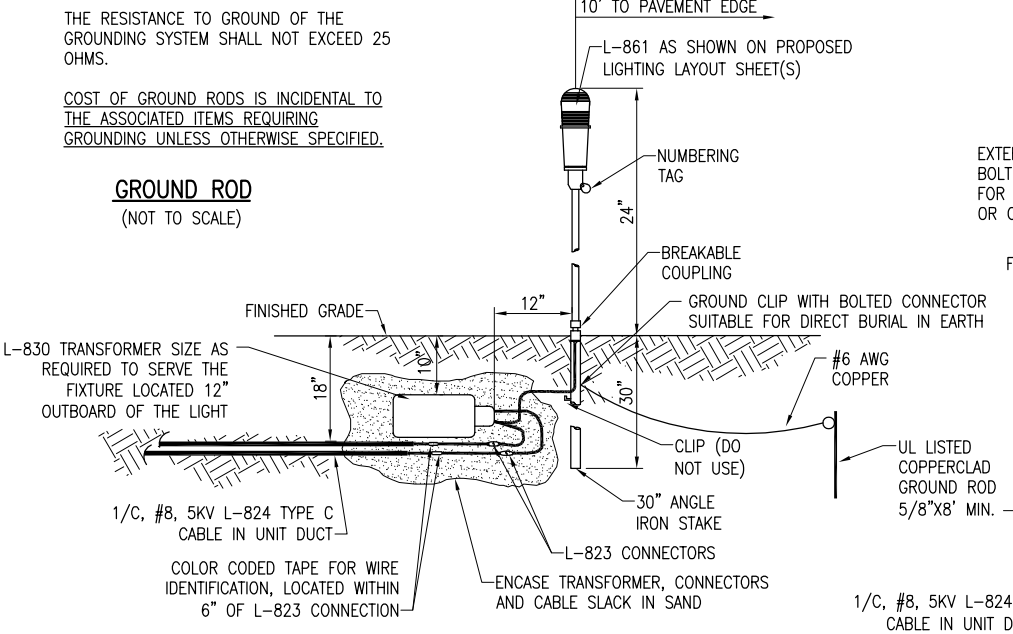


PROFILE VIEW

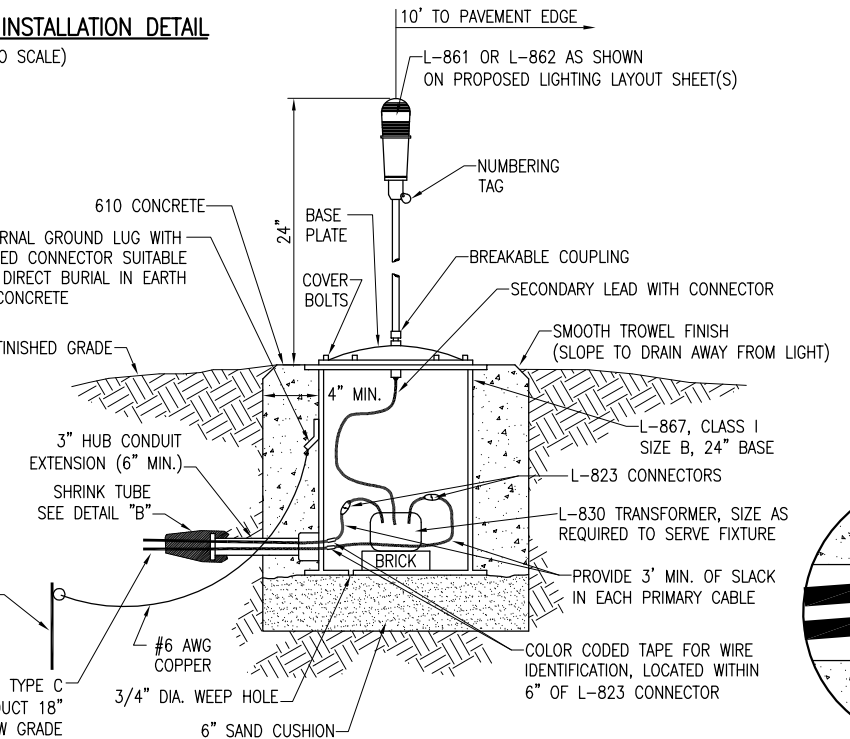
LIGHT AND CABLE INSTALLATION DETAIL
 (NOT TO SCALE)

NOTES:
 TYPE AND MINIMUM NUMBER OF GROUND RODS SHALL BE AS SPECIFIED ON THE PLAN.
 THE RESISTANCE TO GROUND OF THE GROUNDING SYSTEM SHALL NOT EXCEED 25 OHMS.
 COST OF GROUND RODS IS INCIDENTAL TO THE ASSOCIATED ITEMS REQUIRING GROUNDING UNLESS OTHERWISE SPECIFIED.

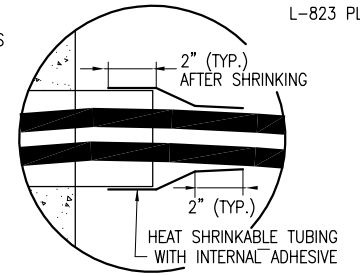
GROUND ROD
 (NOT TO SCALE)



MEDIUM INTENSITY LIGHT - STAKE MOUNTED
 (NOT TO SCALE)



MEDIUM/HIGH INTENSITY LIGHT - BASE MOUNTED
 (NOT TO SCALE)



DETAIL "B"
 (NOT TO SCALE)

CABLE SPLICES
 (NOT TO SCALE)

REVISION	DATE

EDGAR COUNTY AIRPORT
 PARIS, ILLINOIS

A.I.P. PROJ.: 3-17-0077-B13
 IL PROJ.: PRG-4018

REVISION	DATE	BY	CHKD
LAYOUT	12/23/10	KNL	MLH
DRAWN	12/23/10	MLH	CAH
REVIEWED	02/04/11	CAH	

Hanson Professional Services Inc. 2011
 1526 South Sixth Street
 Springfield, Illinois 62703-2886
 www.hanson-inc.com
 Offices Nationwide

CONSTRUCT CROSSWIND
 RUNWAY 18-36
 ELECTRICAL DETAILS
 SHEET 1

MAR 11, 2011 10:52 AM RINMED0461 C:\PWISE_WORK\DO_NOT_DELETE\DMST8063\E-501.DWG