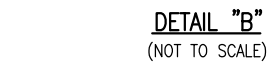


L-858 SIGN

NOTES:
SEE LIGHTING LAYOUT SHEET(S) FOR SIGN LEGEND, LOCATION, TYPE, SIZE, STYLE, AND CLASS.
NUMBER AND SPACING OF LEGS AS PER MANUFACTURER'S REQUIREMENTS.



HEAT SHRINKABLE TUBING WITH INTERNAL ADHESIVE

2" (TYP.) AFTER SHRINKING

2" (TYP.)

CONNECT #6 AWG CU GND TO FRAME OF SIGN IN ACCORDANCE WITH SIGN MANUFACTURER RECOMMENDATIONS

EXTERNAL GROUND LUG WITH BOLTED CONNECTOR SUITABLE FOR DIRECT BURIAL IN EARTH OR CONCRETE

#6 AWG CU

UL LISTED COPPERCLAD GROUND ROD 5/8" DIA. x 8'L (MIN.)

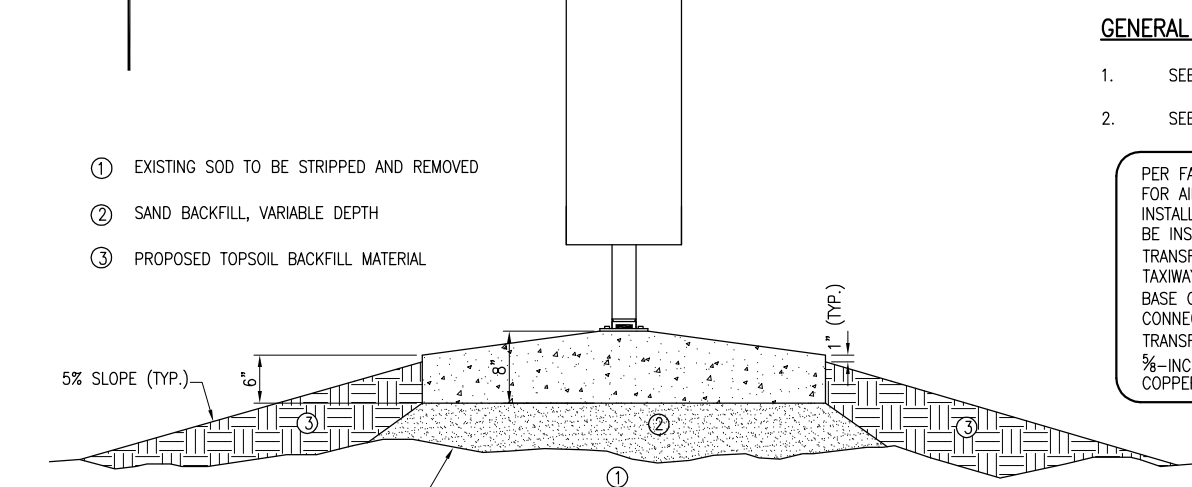
OPTION 2 ELEVATION
(NOT TO SCALE)

OPTION 1 ELEVATION
(NOT TO SCALE)

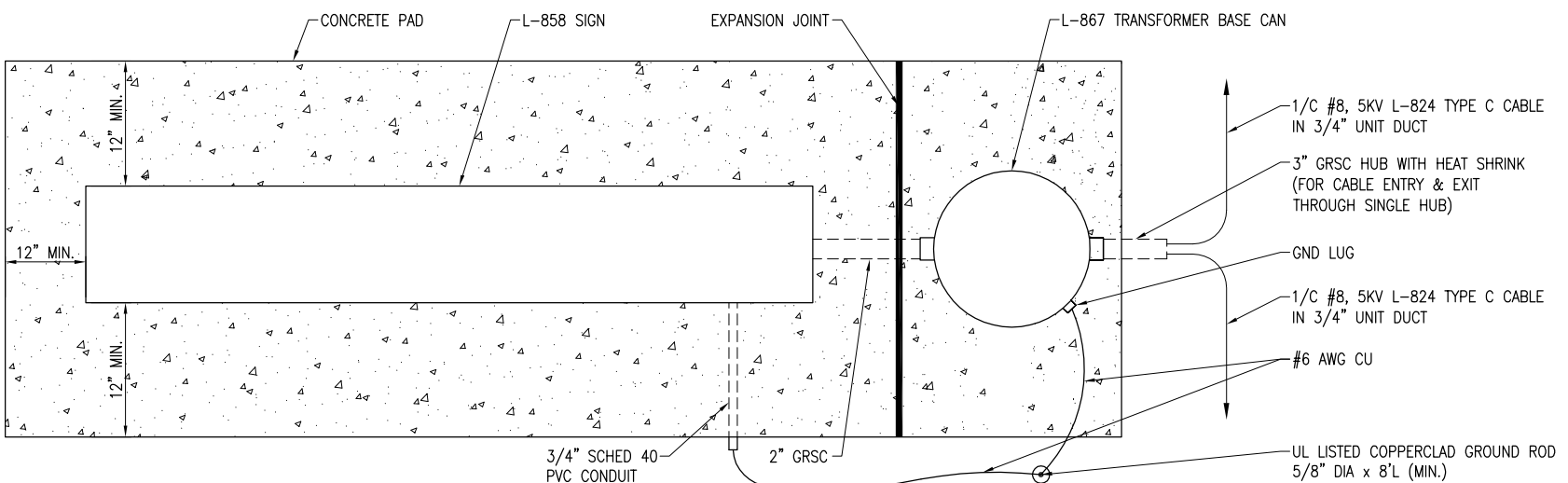
GENERAL NOTES:

- SEE LIGHTING LAYOUT SHEET FOR SIGN LEGEND, LOCATION, TYPE, SIZE, STYLE, AND CLASS.
- SEE ELECTRICAL NOTES SHEETS.

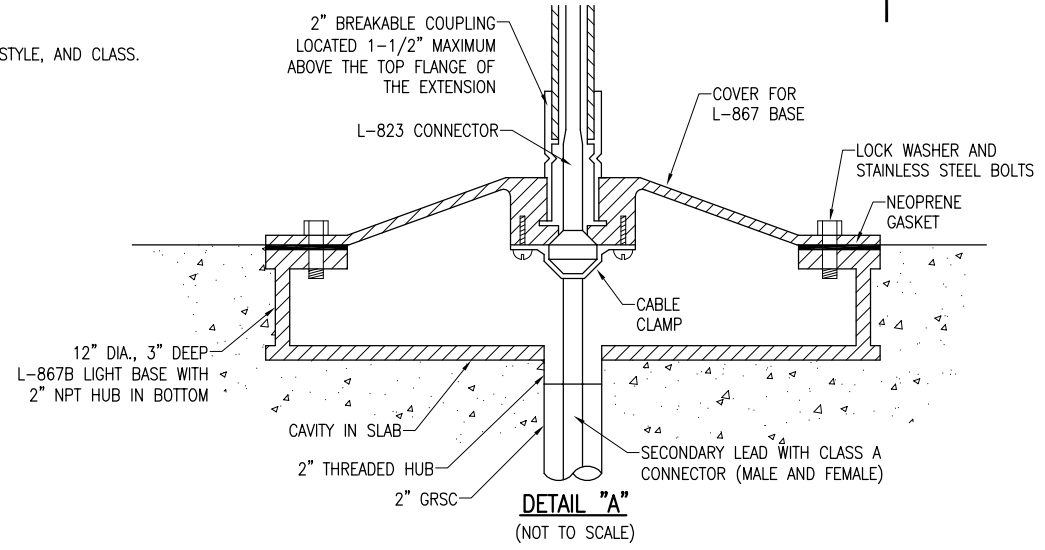
PER FAA AC 150/5340-30E DESIGN AND INSTALLATION DETAILS FOR AIRPORT VISUAL AIDS, A LIGHT BASE GROUND MUST BE INSTALLED AT EACH LIGHT FIXTURE. A LIGHT BASE GROUND SHALL BE INSTALLED AT EACH STAKE MOUNTED LIGHT AND EACH TRANSFORMER BASE/LIGHT CAN ASSOCIATED WITH RUNWAY LIGHTS, TAXIWAY LIGHTS, AND LIGHTED TAXI GUIDANCE SIGNS. THE LIGHT BASE GROUND SHALL BE A #6 AWG BARE COPPER CONDUCTOR CONNECTED TO THE GROUND LUG ON THE RESPECTIVE L-867 TRANSFORMER BASE/LIGHT CAN OR MOUNTING STAKE AND A 5/8-INCH DIAMETER BY 8-FOOT LONG (MINIMUM) UL LISTED COPPER CLAD GROUND ROD.



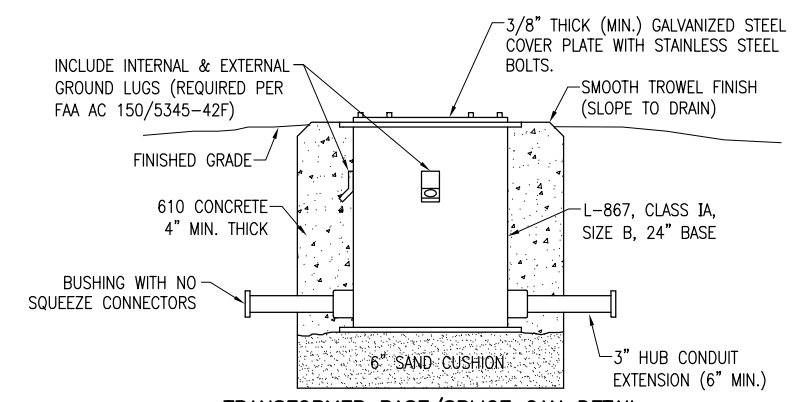
SIGN DETAIL
(NOT TO SCALE)



OPTION 1 PLAN
(NOT TO SCALE)



DETAIL "A"
(NOT TO SCALE)



TRANSFORMER BASE/SPLICE CAN DETAIL
(NOT TO SCALE)

NOTE:
FOR THE PURPOSE OF ENHANCING SAFETY, EACH BASE MUST HAVE INSTALLED, BY THE MANUFACTURER, AN INTERNAL AND EXTERNAL GROUND STRAP THAT IS AVAILABLE FOR THE PURPOSE OF ATTACHING A GROUND LUG THAT IS CONNECTED TO AN EARTH GROUND OR A SAFETY GROUND CONDUCTOR INSTALLED WITH THE RESPECTIVE CIRCUIT. FOR AIRPORT PROJECTS RECEIVING FEDERAL FUNDS THIS REQUIREMENT IS MANDATORY PER FAA AC 150/5345-42F.

MAR 11, 2011 11:02 AM RINMED0461 C:\P\WSE_WORK\DO_NOT_DELETE\DM18063\E-503.DWG

REVISION	DATE

EDGAR COUNTY AIRPORT
PARIS, ILLINOIS

IL PROJ.: PRG-4018 A.I.P. PROJ.: 3-17-0077-B13

Hanson Proj. No. 10A00553	12/23/10
Filename E-503.DWG	KNL
Scale AS SHOWN	MLH
Date 03/10/11	CAH
LAYOUT	REVIEWED
DRAWN	

HANSON
Professional Services Inc. 2011

Hanson Professional Services Inc.
1526 South Sixth Street
Springfield, Illinois 62703-2886
www.hanson-inc.com
Offices Nationwide

CONSTRUCT CROSSWIND
RUNWAY 18-36

ELECTRICAL DETAILS
SHEET 3