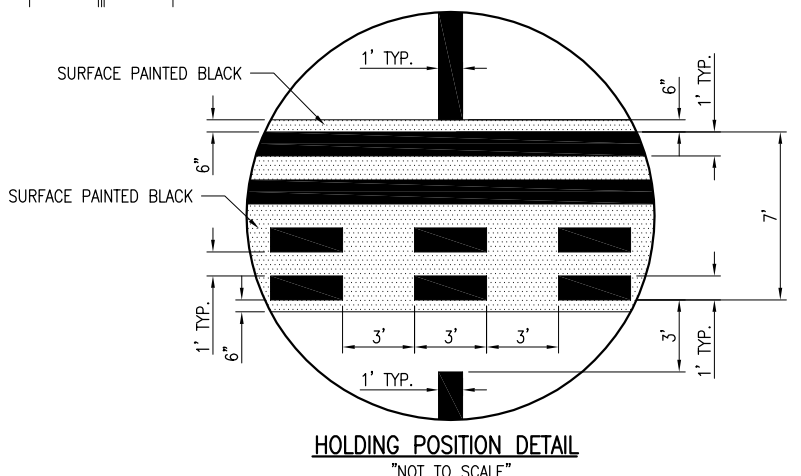
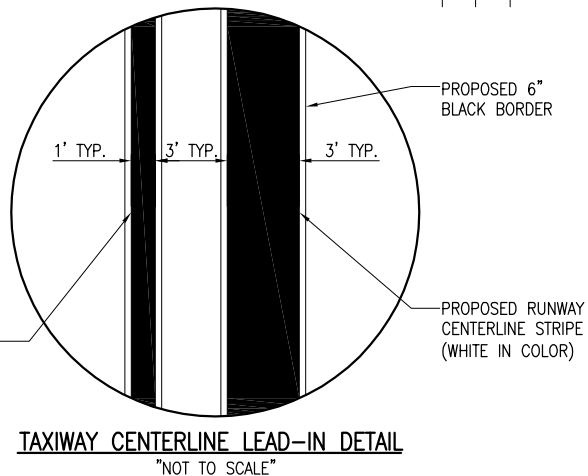


**MARKING REMOVAL NOTE**  
 THE 21 S.F. OF MARKING REMOVAL WILL BE CONSIDERED INCIDENTAL TO THE PROPOSED MARKING AND NO ADDITIONAL COMPENSATION WILL BE ALLOWED.

**MARKING NOTE**  
 ANY EXISTING MARKING OBLITERATED OUTSIDE THESE AREAS SHOWN WILL BE REMARKED AT THE CONTRACTOR'S OWN EXPENSE.



**LEGEND**

- EXISTING PAVEMENT
- PROPOSED PAVEMENT
- EXISTING MARKING
- PROPOSED MARKING

**Scale:**  
 0' 25' 50' 100'  
 HALF SIZE SCALE: 1" = 100'  
 FULL SIZE SCALE: 1" = 50'

**North Arrow**

MAR 11, 2011 11:22 AM RINKED0461 C:\PWISE\_WORK\DO\_NOT\_DELETE\DMST8063\PR-151MRK.DWG

REVISION	
DATE	
<b>EDGAR COUNTY AIRPORT PARIS, ILLINOIS</b>	
A.I.P. PROJ.: 3-17-0077-B13	
ILL. PROJ.: PRG-4018	
Hanson Proj. No. 10A0053	01/04/11
Filename R=151MRK.DWG	BAK
Scale 1" = 20'	01/04/11
Date 03/10/11	BAK
LAYOUT	CAH
DRAWN	CAH
REVIEWED	CAH

**HANSON**  
 © Copyright Hanson Professional Services Inc. 2011  
 Hanson Professional Services Inc.  
 1526 South Sixth Street  
 Springfield, Illinois 62703-2886  
 www.hanson-inc.com  
 Offices Nationwide

**CONSTRUCT CROSSWIND  
RUNWAY 18-36**

**PROPOSED MARKING PLAN  
STA. 113+00 TO STA. 123+50**

**65**

65 of 137 sheets