

UNDERDRAIN END SECTION NOTE

THE CONTRACTOR SHALL INSTALL THE PROPOSED UNDERDRAIN END SECTION AT THE LOCATION AND GRADE SHOWN ON THIS SHEET.

THE PROPOSED UNDERDRAIN END SECTION WILL BE PAID FOR UNDER ITEM:
AR705620 "UNDERDRAIN END SECTION" _____ 1 EACH.

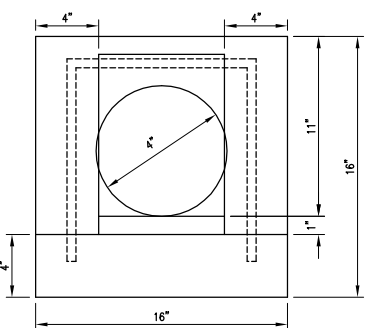
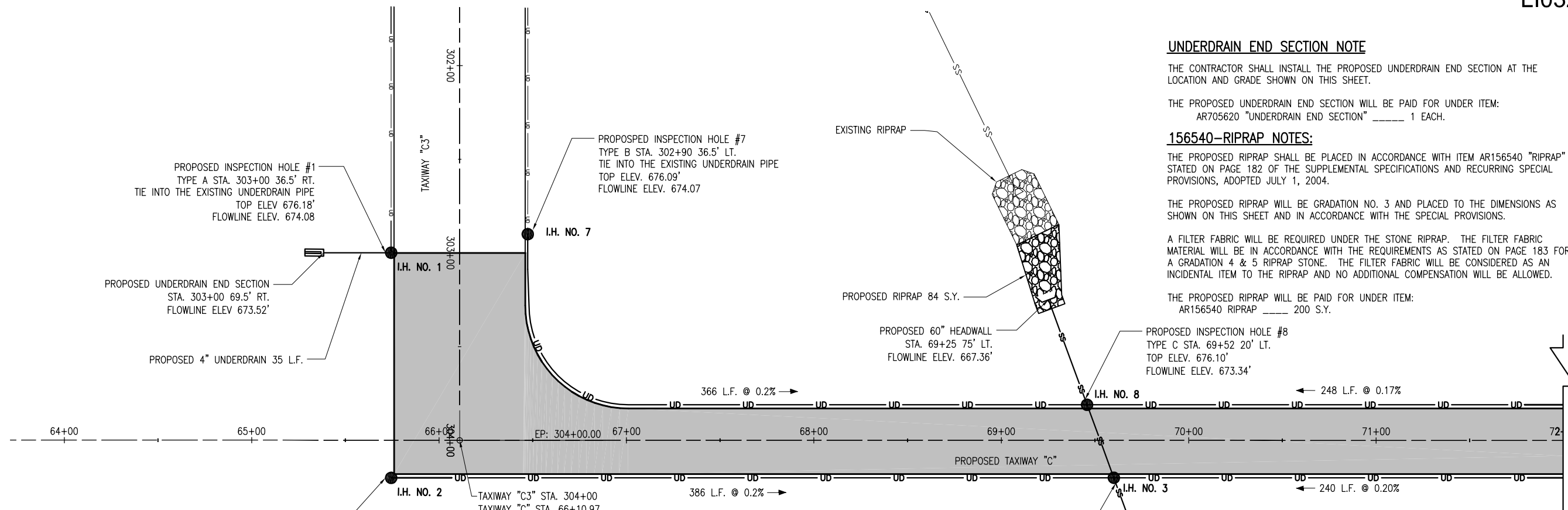
156540-RIPRAP NOTES:

THE PROPOSED RIPRAP SHALL BE PLACED IN ACCORDANCE WITH ITEM AR156540 "RIPRAP" AS STATED ON PAGE 182 OF THE SUPPLEMENTAL SPECIFICATIONS AND RECURRING SPECIAL PROVISIONS, ADOPTED JULY 1, 2004.

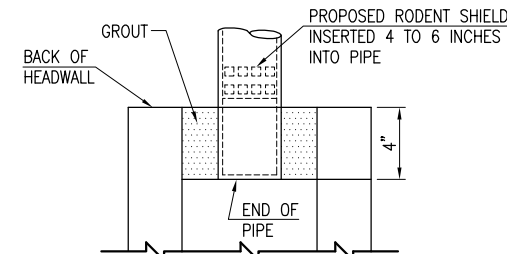
THE PROPOSED RIPRAP WILL BE GRADATION NO. 3 AND PLACED TO THE DIMENSIONS AS SHOWN ON THIS SHEET AND IN ACCORDANCE WITH THE SPECIAL PROVISIONS.

A FILTER FABRIC WILL BE REQUIRED UNDER THE STONE RIPRAP. THE FILTER FABRIC MATERIAL WILL BE IN ACCORDANCE WITH THE REQUIREMENTS AS STATED ON PAGE 183 FOR A GRADATION 4 & 5 RIPRAP STONE. THE FILTER FABRIC WILL BE CONSIDERED AS AN INCIDENTAL ITEM TO THE RIPRAP AND NO ADDITIONAL COMPENSATION WILL BE ALLOWED.

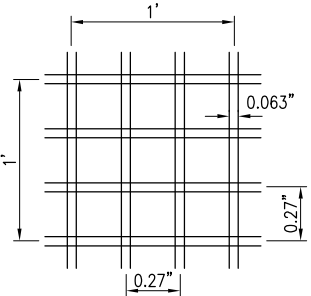
THE PROPOSED RIPRAP WILL BE PAID FOR UNDER ITEM:
AR156540 RIPRAP _____ 200 S.Y.



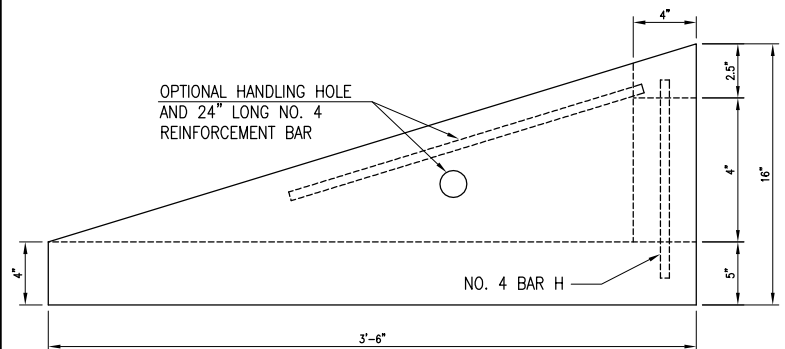
FRONT VIEW
"NOT TO SCALE"



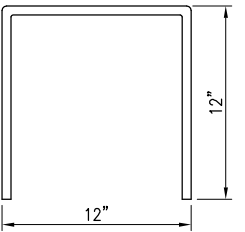
RODENT SHIELD PLACEMENT
"NOT TO SCALE"



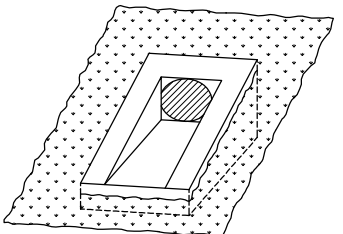
SECTION A-A
"NOT TO SCALE"



SIDE VIEW
"NOT TO SCALE"

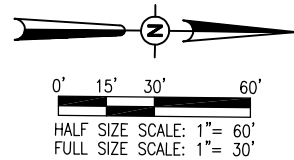


BAR H
"NOT TO SCALE"



SPECIAL STRUCTURE FOR UNDERDRAIN DETAIL
I.D.O.T. STANDARD 2362-4
"NOT TO SCALE"

- LEGEND**
- EXISTING IMPROVEMENTS
 - PROPOSED IMPROVEMENTS
 - EXISTING STORM SEWER
 - PROPOSED STORM SEWER
 - EXISTING UNDERDRAIN
 - PROPOSED UNDERDRAIN
 - EXISTING PAVED DITCH
 - EXISTING RIPRAP
 - PROPOSED RIPRAP
 - EXISTING UNDERDRAIN INSPECTION HOLE
 - PROPOSED INSPECTION HOLE
 - PROPOSED CONCRETE HEADWALL
 - EXISTING CONCRETE FLARED END SECTION
 - PROPOSED CONCRETE FLARED END SECTION
 - EXISTING DITCH FLOWLINE

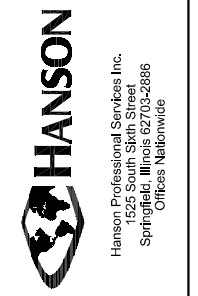


DATE	REVISION	BY

LITCHFIELD MUNICIPAL AIRPORT
LITCHFIELD, ILLINOIS

IL PROJ.: 31F-4046 A.I.P. PROJ.: 3-17-0063-B17

Hanson Project No. 10A0094D_0800	LAYOUT	MDR	02/15/11
Filename: R-132DRN.DWG	DRAWN	MDR	02/15/11
Scale: 1"=30'	REVIEWED	CAH	02/17/11
Date: 02/04/11			



TAXIWAY "C"
EXTENSION

PROPOSED DRAINAGE PLAN
STA. 65+00 TO STA. 72+00

MAR 14, 2011 8:53 AM HAGL000382 I:\AIRPORTS\LITCHFIELD\10A0094\CADD\AIRPORT\SHEET\R-132DRN.DWG - STA. 65+00 TO STA. 72+00