

STATE OF ILLINOIS  
DEPARTMENT OF TRANSPORTATION

F.A. RTE.	SECTION	COUNTY	TOTAL SHEETS	SHEET NO.
*	(351E)RS, MG	DEKALB	9	1
*PAGE STREET		ILLINOIS	CONTRACT NO. 66M29	

**INDEX OF SHEETS**

1. COVER SHEET
2. GENERAL NOTES
3. SUMMARY OF QUANTITIES
4. TYPICAL SECTIONS
5. SCHEDULES
6. GENERAL SITE PLAN - SYCAMORE MAINTENANCE FACILITY
7. SITE PLAN - EXISTING SURFACE ELEVATIONS - SYCAMORE MAINTENANCE FACILITY
8. SITE PLAN - REMOVAL DETAILS - SYCAMORE MAINTENANCE FACILITY
9. SITE PLAN - RESURFACING - SYCAMORE MAINTENANCE FACILITY

**STANDARDS**

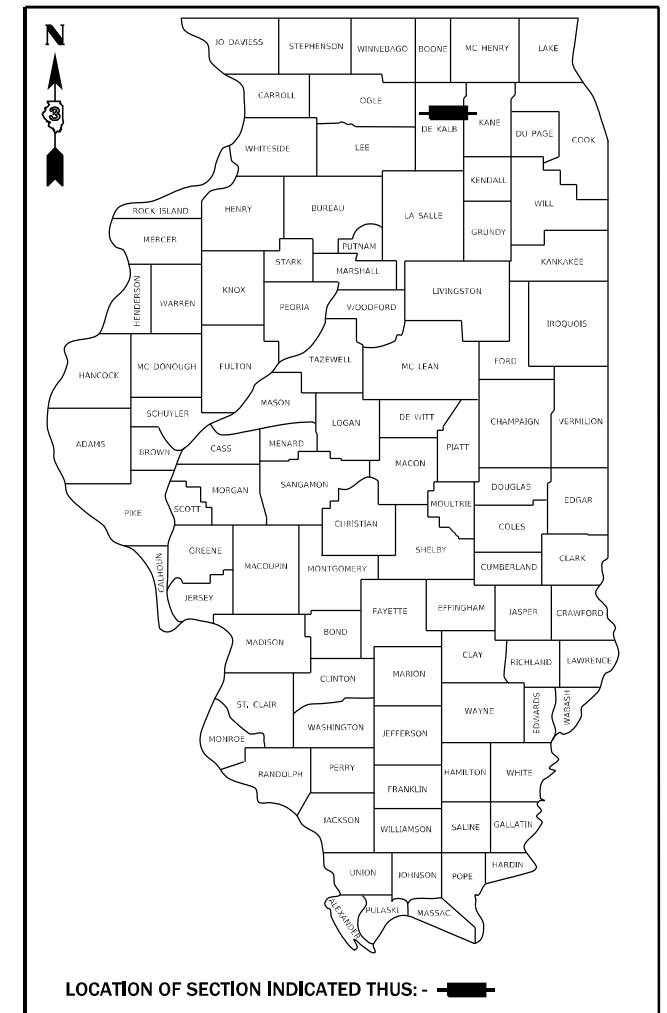
- |           |  |
|-----------|--|
| 000001-08 | STANDARD SYMBOLS, ABBREVIATIONS AND PATTERNS                               |
| 001006    | DECIMAL OF AN INCH AND OF A FOOT   |
| 701001-02 | OFF-ROAD OPERATIONS 2L, 2W, MORE THAN 15' (4.5 m) AWAY                     |
| 701006-05 | OFF-ROAD OPERATIONS 2L, 2W, 15' (4.5 m) TO 24" (600 MM) FROM PAVEMENT EDGE |
| 701201-05 | LANE CLOSURE, 2L, 2W, DAY ONLY, FOR SPEEDS ≥ 45 MPH                        |
| 701901-08 | TRAFFIC CONTROL DEVICES  |

# PROPOSED HIGHWAY PLANS

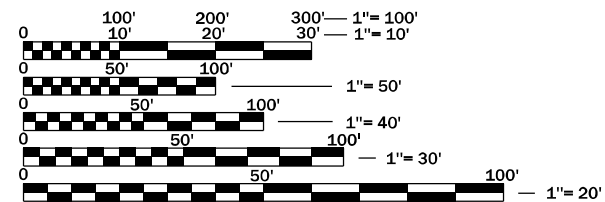
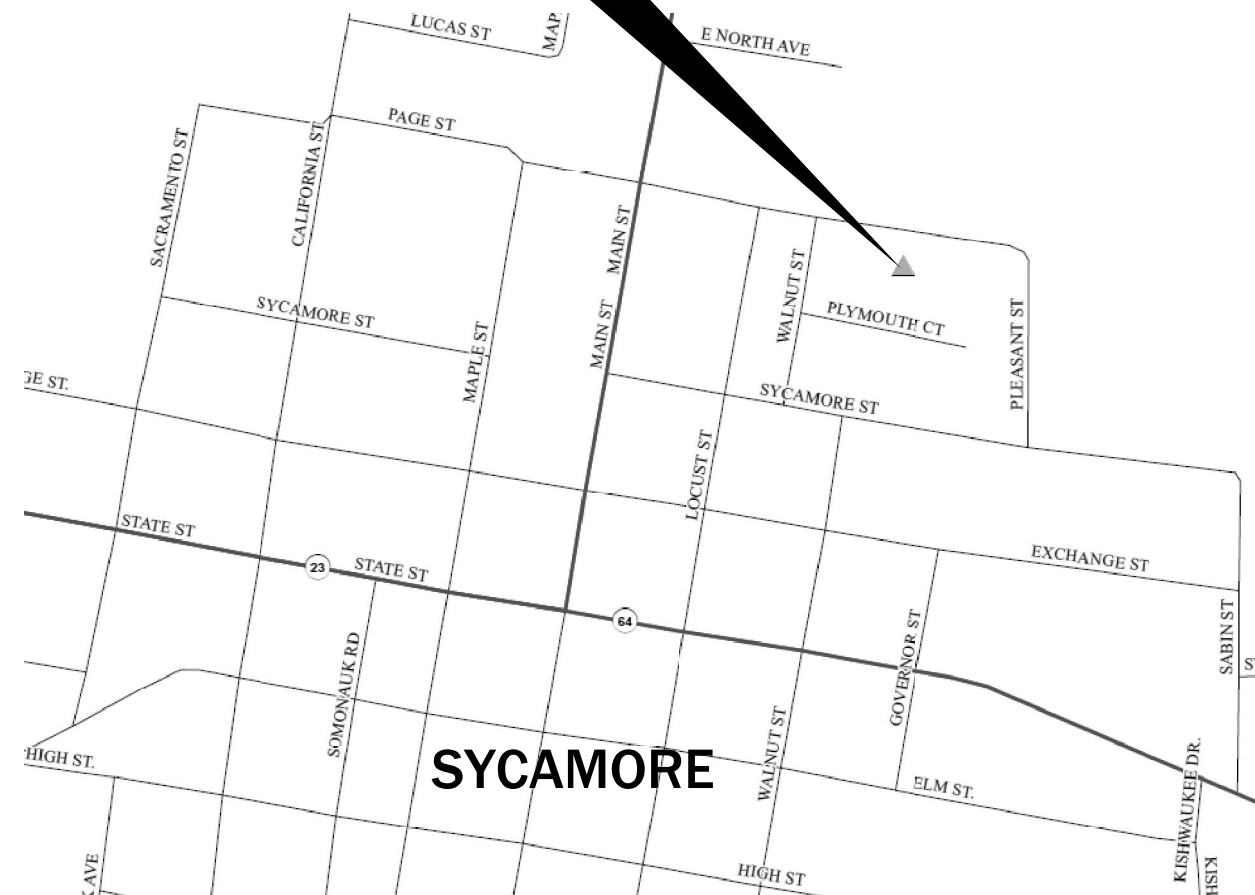
**ROUTE: FAP 71 (PAGE STREET)  
SECTION (351E)RS, MG  
MILLING AND RESURFACING  
DEKALB COUNTY**

**C-93-049-22**

D-93-027-22



**PROJECT LOCATION**  
351 PAGE STREET  
ILLINOIS DEPARTMENT OF TRANSPORTATION  
DISTRICT 3  
SYCAMORE MAINTENANCE FACILITY



FULL SIZE PLANS HAVE BEEN PREPARED USING STANDARD ENGINEERING SCALES. REDUCED SIZED PLANS WILL NOT CONFORM TO STANDARD SCALES. IN MAKING MEASUREMENTS ON REDUCED PLANS, THE ABOVE SCALES MAY BE USED.

J.U.L.I.E.  
JOINT UTILITY LOCATION INFORMATION FOR EXCAVATION  
1-800-892-0123  
OR 811

**PROJECT ENGINEER: YOGESH PATEL**  
**UNIT CHIEF: RON WOODSHANK**  
**DISTRICT 3 NO. (815) 434-6131**  
**CONTRACT NO. 66M29**

STATE OF ILLINOIS  
DEPARTMENT OF TRANSPORTATION

SUBMITTED January 31, 2022  
*[Signature]*  
REGIONAL ENGINEER

March 25, 2022  
*[Signature]*  
ENGINEER OF DESIGN AND ENVIRONMENT

March 23, 2022  
*[Signature]*  
DIRECTOR OF HIGHWAYS PROJECT IMPLEMENTATION

**PRINTED BY THE AUTHORITY  
OF THE STATE OF ILLINOIS**

**GENERAL NOTES**

PLAN DIMENSIONS AND DETAILS RELATIVE TO EXISTING PLANS ARE SUBJECT TO NOMINAL CONSTRUCTION VARIATIONS. THE CONTRACTOR SHALL FIELD VERIFY EXISTING DIMENSIONS AND DETAILS AFFECTING NEW CONSTRUCTION AND MAKE NECESSARY APPROVED ADJUSTMENTS PRIOR TO CONSTRUCTION OR ORDERING OF MATERIALS. SUCH VARIATIONS SHALL NOT BE CAUSE FOR ADDITIONAL COMPENSATION FOR A CHANGE IN SCOPE OF WORK; HOWEVER, THE CONTRACTOR WILL BE PAID FOR THE QUANTITY ACTUALLY FURNISHED AT THE UNIT PRICE BID FOR THE WORK.

THE THICKNESS OF HMA SHOWN ON THE PLANS IS THE NOMINAL THICKNESS. DEVIATIONS FROM THE NOMINAL THICKNESS WILL BE PERMITTED WHEN SUCH DEVIATIONS OCCUR DUE TO IRREGULARITIES IN THE EXISTING SURFACE OR BASE ON WHICH THE HMA IS PLACED.

THE ENGINEER WILL BE THE SOLE JUDGE CONCERNING CURING TIME FOR THE VARIOUS HMA LIFTS.

ALL ELEVATIONS REFERRING TO U.S.G.S. MEAN SEA LEVEL DATUM.

ALL EXCAVATED MATERIAL, WHICH INCLUDES DIGGING OR GRADING OF ANY SOIL OR FILL MATERIAL, WITH THE EXCEPTION OF AGGREGATE FILLS, MUST BE INCORPORATED WITHIN THE IDOT RIGHT OF WAY DUE TO ENVIRONMENTAL DOCUMENTATION REQUIREMENTS.

ON EXISTING PAVEMENT WHICH MAY BE SUPERELEVATED, THE NEW HMA PAVEMENT SHALL BE BUILT WITH THE SAME SUPERELEVATION UNLESS NEW SUPERELEVATION RATES ARE GIVEN ON THE PLANS.

ANY REFERENCE TO A STANDARD IN THESE PLANS SHALL BE INTERPRETED TO MEAN THE EDITION AS INDICATED BY THE SUBNUMBER SHOWN IN THE LIST OF STANDARDS OR THE COPY INCLUDED IN THESE PLANS.

THE FOLLOWING RATES OF APPLICATION HAVE BEEN USED IN CALCULATING PLAN QUANTITIES:

GRANULAR MATERIALS		2.05	TONS / CU YD
HMA BINDER CSE. (HAND METHOD)		0.0005	TONS / SQ YD
BITUMINOUS MATERIALS (TACK COAT)	MILLED HMA	0.05	LBS / SQ FT
	NEW HMA	0.025	
HMA RESURFACING		112	LBS / SQ YD / IN

ALL DAMAGE TO DEPARTMENT OWNED ABOVE/UNDERGROUND FACILITIES, CAUSED BY THE CONTRACTOR SHALL BE REPAIRED TO THE SATISFACTION OF THE DEPARTMENT AT THE CONTRACTOR'S EXPENSE. THIS SHALL INCLUDE ALL TEMPORARY REPAIRS REQUIRED TO KEEP THE FACILITY OPERATIONAL WHILE MATERIAL IS BEING OBTAINED TO MAKE PERMANENT REPAIRS.

THE CONTRACTOR SHALL CONTACT JULIE AT LEAST 48 HOURS PRIOR TO EXCAVATION TO DETERMINE WHICH UTILITIES ARE IN THE AREA.

**COMMITMENTS**

**HMA MIXTURE REQUIREMENT TABLE**

LOCATION(S) :	ENTIRE PROJECT	ENTIRE PROJECT
MIXTURE USE(S) :	HMA BINDER	HMA SURFACE
BINDER GRADE (PG) :	SBS PG70-28	SBS PG70-28
DESIGN AIR VOIDS :	4.0% @ N70	4.0% @ N70
MIXTURE COMPOSITION: (MIXTURE GRADATION)	IL 19.0	IL 9.5
FRICTION AGGREGATE :	N/A	MIXTURE C
MIXTURE WEIGHT :	112.0 LB/SY/IN	112.0 LB/SY/IN
QUALITY MANAGEMENT PROGRAM :	QC/QA	QC/QA
SUBLOT SIZE :	N/A	N/A
DENSITY TEST METHOD :	GROWTH CURVE	GROWTH CURVE

STATE OF ILLINOIS  
DEPARTMENT OF TRANSPORTATION  
DISTRICT THREE  
AS BUILT INFORMATION

STATE OF ILLINOIS  
DEPARTMENT OF TRANSPORTATION  
DISTRICT THREE

\_\_\_\_\_  
SUPERVISING CONSTRUCTION FIELD ENGINEER

PREPARED BY: \_\_\_\_\_  
DISTRICT STUDIES & PLANS ENGINEER

\_\_\_\_\_  
RESIDENT ENGINEER / TECHNICIAN

DATE: \_\_\_\_\_

START & END DATES  
OF CONSTRUCTION:

\_\_\_\_\_

INSPECTORS:

\_\_\_\_\_

\_\_\_\_\_

\_\_\_\_\_

EXAMINED BY: \_\_\_\_\_  
DISTRICT CONSTRUCTION ENGINEER

\_\_\_\_\_  
DISTRICT MATERIALS ENGINEER

\_\_\_\_\_  
DISTRICT OPERATIONS ENGINEER

STATE OF ILLINOIS  
DEPARTMENT OF TRANSPORTATION

**GENERAL NOTES**

SCALE: SHEET 1 OF 1 SHEETS STA. TO STA.

F.A. RTE.	SECTION	COUNTY	TOTAL SHEETS	SHEET NO.
*	(351E)RS, MG	DEKALB	9	2
*PAGE STREET		CONTRACT NO. 66M29		
ILLINOIS		FED. AID PROJECT		

MODEL: Default  
FILE NAME: p:\idoc\paw\_bentley.com\p\idoc\Documents\IDOT Office\District 3\Project\351E\66M29\CADD\DATA\351E66M29 - PLANS.dgn

CODE NO.	ITEM	UNIT	TOTAL QUANTITY	CONSTRUCTION CODE	
				CAPITOL DEVELOPMENT BOARD 100% STATE	
				ROADWAY	
				0005	
				URBAN	
35800100	PREPARATION OF BASE	SQ YD	2649	2649	
35800200	AGGREGATE BASE REPAIR	TON	38	38	
40600290	BITUMINOUS MATERIALS (TACK COAT)	POUND	3826	3826	
40600906	POLYMERIZED HOT-MIX ASPHALT BINDER COURSE (HAND METHOD), N70	TON	2	2	
40600990	TEMPORARY RAMP	SQ YD	457	457	
40603235	POLYMERIZED HOT-MIX ASPHALT BINDER COURSE, IL-19.0, N70	TON	937	937	
40604152	POLYMERIZED HOT-MIX ASPHALT SURFACE COURSE, IL-9.5, MIX "C", N70	TON	624	624	
44000165	HOT-MIX ASPHALT SURFACE REMOVAL 4"	SQ YD	4785	4785	
67100100	MOBILIZATION	L SUM	1	1	
70100450	TRAFFIC CONTROL AND PROTECTION, STANDARD 701201	L SUM	1	1	
X0320050	CONSTRUCTION LAYOUT (SPECIAL)	L SUM	1	1	
X0327590	LOCATING UNDERGROUND UTILITIES	L SUM	1	1	

MODEL: Default  
 FILE NAME: p:\ultra-cw-beadley.com\PIV\DOT\Documents\DOT Office\Dir\dir: 3\Project\0366629\CAD\Date: 03666M29 - PLANS.dgn

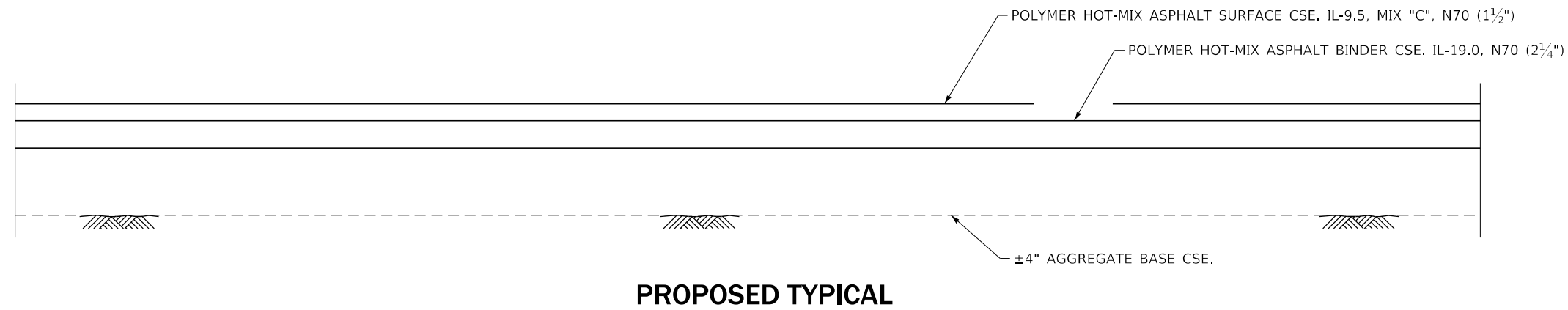
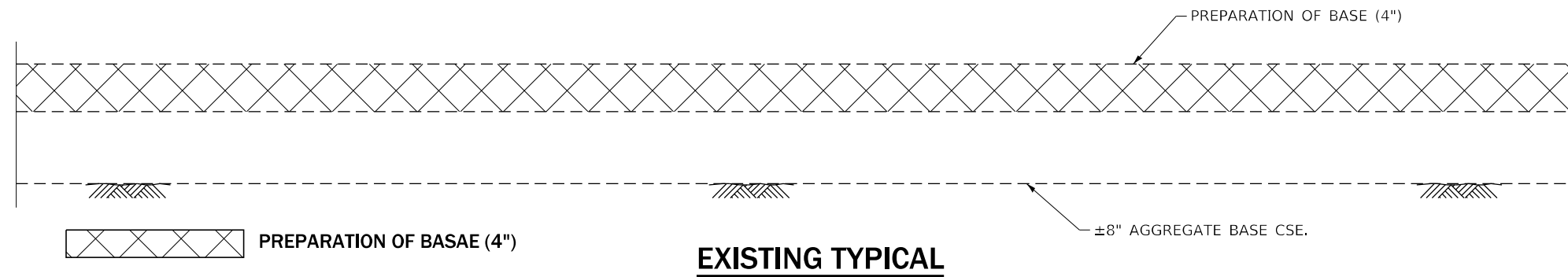
USER NAME = woodshank	DESIGNED -	REVISED -
	DRAWN -	REVISED -
PLOT SCALE = 100,0000' / in.	CHECKED -	REVISED -
PLOT DATE = 1/17/2022	DATE -	REVISED -

**STATE OF ILLINOIS  
DEPARTMENT OF TRANSPORTATION**

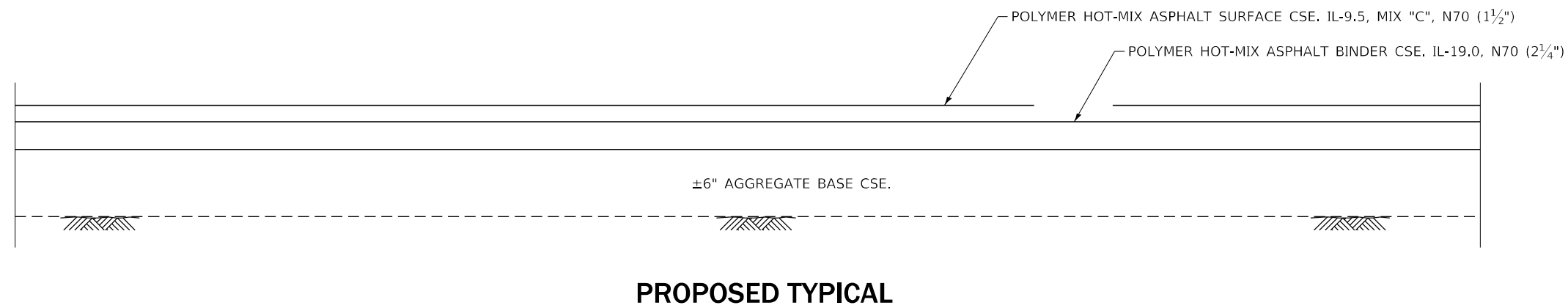
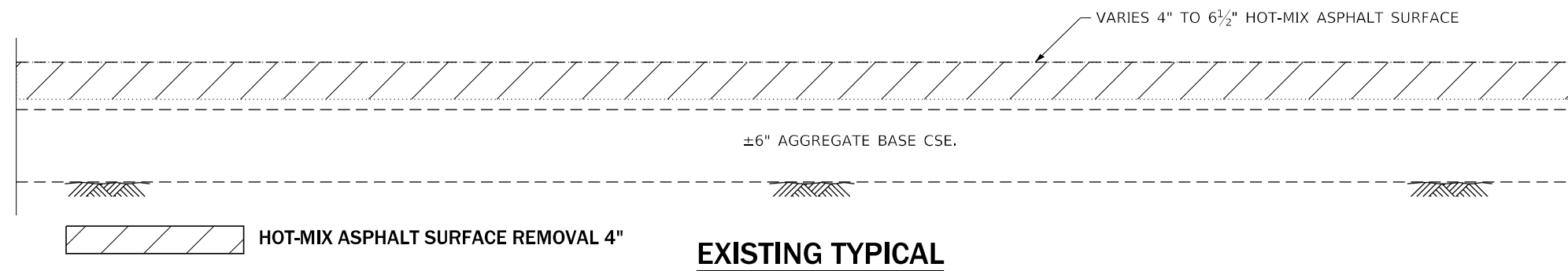
**SUMMARY OF QUANTITIES**

SCALE: SHEET 1 OF 1 SHEETS STA. TO STA.

F.A. RTE.	SECTION	COUNTY	TOTAL SHEETS	SHEET NO.
*	(351E)RS, MG	DEKALB	9	3
*PAGE STREET		CONTRACT NO. 66M29		
		ILLINOIS FED. AID PROJECT		



**AREA 1, 3 AND 4**



**AREA 2**

MODEL: Default  
 FILE: \\na11c-pw-bentley.com\P\DOT\Documents\DOT Office\Dir\dir: 3\Project\351E\5\2\CAD\Draw: 3\PLANS.dgn

USER NAME = woodshank	DESIGNED -	REVISED -
	DRAWN -	REVISED -
PLOT SCALE = 100,0000' / in.	CHECKED -	REVISED -
PLOT DATE = 1/17/2022	DATE -	REVISED -

**STATE OF ILLINOIS  
DEPARTMENT OF TRANSPORTATION**

TYPICAL SECTIONS			
SCALE:	SHEET 1 OF 2 SHEETS	STA.	TO STA.

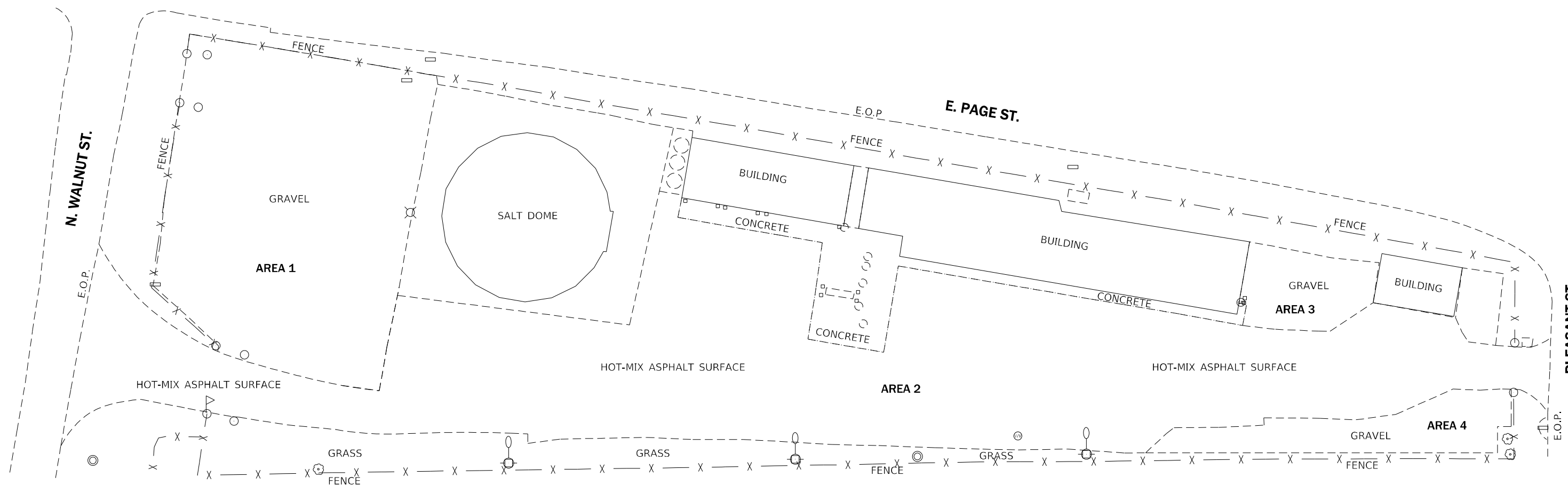
F.A. RTE.	SECTION	COUNTY	TOTAL SHEETS	SHEET NO.
*	(351E)RS, MG	DEKALB	9	4
*PAGE STREET		CONTRACT NO. 66M29		
ILLINOIS FED. AID PROJECT				

**SCHEDULE - RESURFACING**

LOCATION	PREPARATION OF BASE	HOT-MIX ASPHALT SURFACE REMOVAL 4"	BITUMINOUS MATERIALS (TACK COAT)	POLYMERIZED HOT-MIX ASPHALT BINDER COURSE (HAND METHOD) N70	POLYMERIZED HOT-MIX ASPHALT BINDER COURSE IL-19.0 N70	POLYMERIZED HOT-MIX ASPHALT SURFACE COURSE IL-9.5 MIX "C" N70
	SQ YD	SQ YD	POUND	TON	TON	TON
AREA 1	2,029		457		256	170
AREA 2		4,785	3,230	2	603	402
AREA 3	365		82		46	31
AREA 4	255		57		32	21
<b>TOTAL</b>	<b>2,649</b>	<b>4,785</b>	<b>3,826</b>	<b>2</b>	<b>937</b>	<b>624</b>

MODEL: Default  
 FILE NAME: p:\ultra-cw-bea\p\p\DOT\Documents\DOT Office\Dir\dr. 3\Project\3666\29\CAD\Date\3666M29 - PLANS.dgn

USER NAME = woodshank	DESIGNED -	REVISED -	<b>STATE OF ILLINOIS DEPARTMENT OF TRANSPORTATION</b>	<b>SCHEDULES</b>		F.A. RTE.	SECTION	COUNTY	TOTAL SHEETS	SHEET NO.
	DRAWN -	REVISED -				* (351E)RS, MG	DEKALB	9	5	
PLOT SCALE = 100,0000' / in.	CHECKED -	REVISED -		*PAGE STREET	CONTRACT NO. 66M29					
PLOT DATE = 1/17/2022	DATE -	REVISED -		SCALE:	SHEET 1 OF 1 SHEETS	STA. TO STA.	ILLINOIS FED. AID PROJECT			



**GENERAL SITE PLAN**  
**LILLINOIS DEPARTMENT OF TRANSPORTATION**  
**DISTRICT 3**  
**SYCAMORE MAINTENANCE FACILITY**

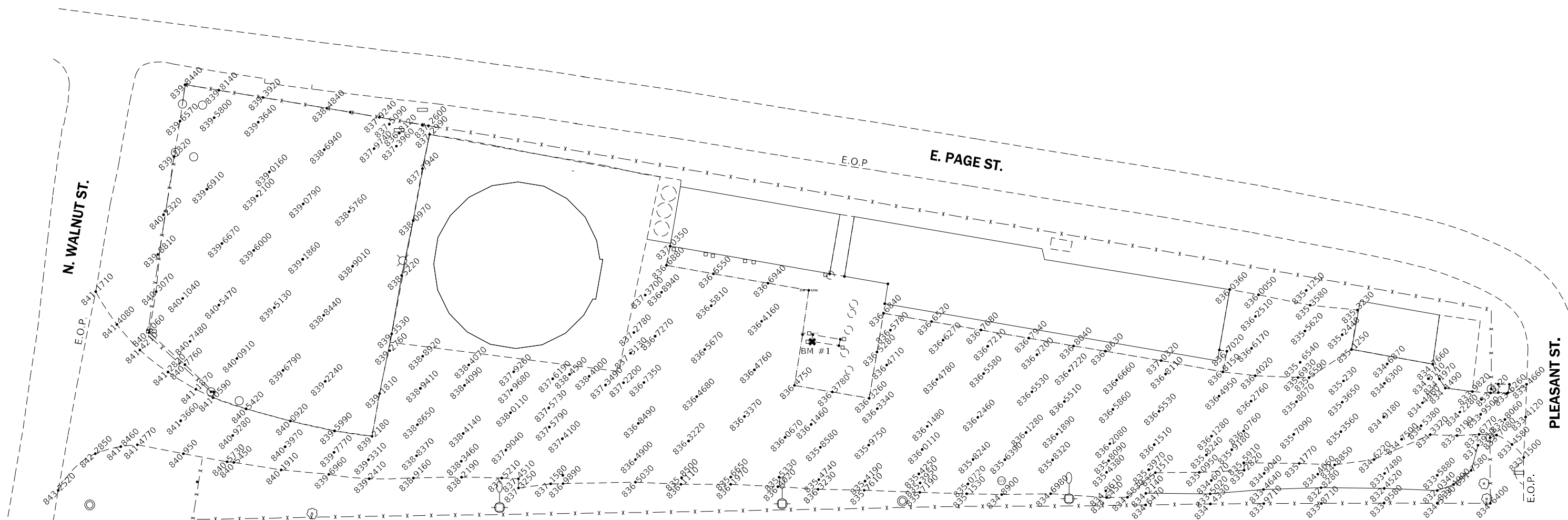
MODEL: Default  
 FILE: \\nailes-pw-bentley.com\P\W\DOT\Documents\1\DOT Office\District 3\Project\1\366629\CADD\Drawings\PLANS.dwg

USER NAME = woodshank	DESIGNED -	REVISED -
	DRAWN -	REVISED -
PLOT SCALE = 100,0000' / in.	CHECKED -	REVISED -
PLOT DATE = 1/17/2022	DATE -	REVISED -

**STATE OF ILLINOIS**  
**DEPARTMENT OF TRANSPORTATION**

<b>GENERAL SITE PLAN</b>	
<b>SYCAMORE MAINTENANCE FACILITY</b>	
SCALE:	SHEET 1 OF 1 SHEETS STA. TO STA.

F.A. RTE.	SECTION	COUNTY	TOTAL SHEETS	SHEET NO.
*	(351E)RS, MG	DEKALB	9	6
*PAGE STREET		CONTRACT NO. 66M29		
ILLINOIS FED. AID PROJECT				



**SITE PLAN  
EXISTING SURFACE ELEVATIONS  
SYCAMORE MAINTENANCE FACILITY**

**STATE OF ILLINOIS  
DEPARTMENT OF TRANSPORTATION**

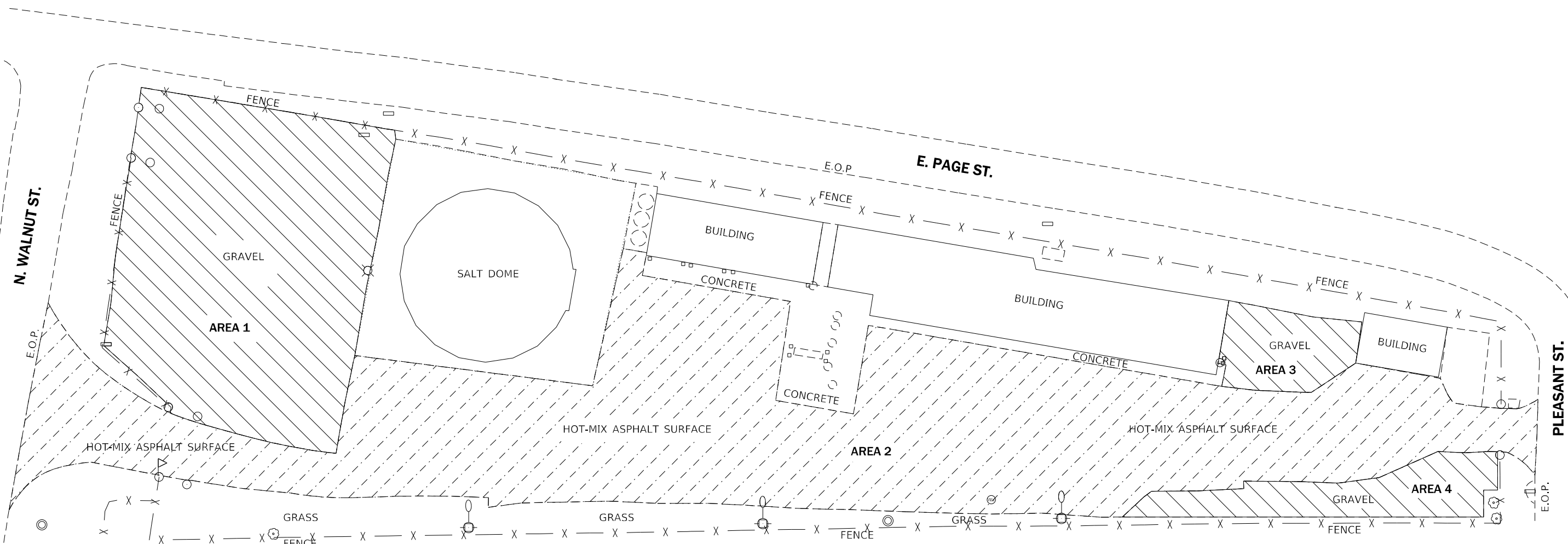
**SITE PLAN - EXISTING SURFACE ELEVATIONS  
SYCAMORE MAINTENANCE FACILITY**

F.A. RTE.	SECTION	COUNTY	TOTAL SHEETS	SHEET NO.
*	(351E)RS, MG	DEKALB	9	7
*PAGE STREET		CONTRACT NO. 66M29		
ILLINOIS		FED. AID PROJECT		

SCALE: SHEET 1 OF 1 SHEETS STA. TO STA.

MODEL: Default  
 FILE NAME: p:\uldestaw.bentley.com\PI\INDOT\Documents\INDOT Office\Dir\dr: 3\Project\1036662\3\CADD\DATA\103666M29 - PLANS.dwg  
 PLOT DATE = 1/17/2022

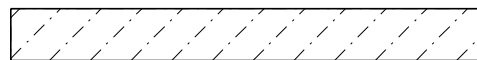
USER NAME = woodshank	DESIGNED -	REVISED -
	DRAWN -	REVISED -
PLOT SCALE = 100,0000' / in.	CHECKED -	REVISED -
	DATE -	REVISED -



**SITE PLAN  
REMOVAL DETAILS  
SYCAMORE MAINTENANCE FACILITY**



**PREPARATION OF BASE**



**HOT-MIX ASPHALT SURFACE REMOVAL 4"**

MODEL: Default  
FILE NAME: p:\i\dot\paw\benefy.com\P\I\DOT\Documents\1\DOT Office\Dir\drf\_3\Project\1\366629\CADD\Date\1\3666M29 - PLANS.dwg

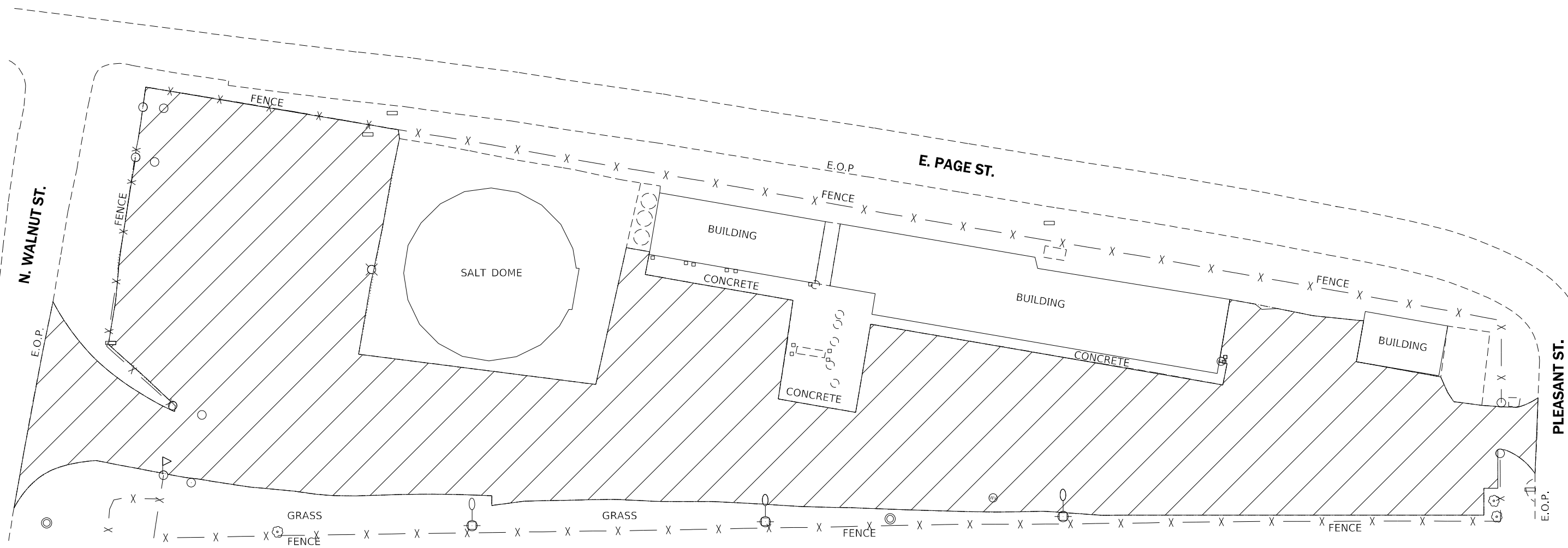
USER NAME = woodshank	DESIGNED -	REVISED -
	DRAWN -	REVISED -
PLOT SCALE = 100,0000' / in.	CHECKED -	REVISED -
PLOT DATE = 1/17/2022	DATE -	REVISED -

**STATE OF ILLINOIS  
DEPARTMENT OF TRANSPORTATION**

<b>SITE PLAN REMOVAL DETAILS SYCAMORE MAINTENANCE FACILITY</b>		
SCALE:	SHEET 1 OF 1 SHEETS	STA. TO STA.

F.A. RTE.	SECTION	COUNTY	TOTAL SHEETS	SHEET NO.
*	(351E)R5, MG	DEKALB	9	8
*PAGE STREET		CONTRACT NO. 66M29		
ILLINOIS FED. AID PROJECT				





**SITE PLAN  
RESURFACING  
SYCAMORE MAINTENANCE FACILITY**



**HOT-MIX ASPHALT BINDER CSE. IL-19.0, N70 (2½" LIFT)**  
**HOT-MIX ASPHALT SURFACE CSE. IL-9.5, MIX C, N70 (1½" LIFT)**

MODEL: Default  
 FILE NAME: p:\projects\aw\_bentley.com\p\dot\Documents\DOT Office\Dir\dir: 3\Project\0366629\CADD\0366629 - PLANS.dwg

USER NAME = woodshank	DESIGNED -	REVISED -
	DRAWN -	REVISED -
PLOT SCALE = 100,0000' / in.	CHECKED -	REVISED -
PLOT DATE = 1/17/2022	DATE -	REVISED -

**STATE OF ILLINOIS  
DEPARTMENT OF TRANSPORTATION**

<b>SITE PLAN - RESURFACING SYCAMORE MAINTENANCE FACILITY</b>	
SCALE:	SHEET 1 OF 1 SHEETS STA. TO STA.

F.A. RTE.	SECTION	COUNTY	TOTAL SHEETS	SHEET NO.
*	(351E)R5, MG	DEKALB	9	9
*PAGE STREET		CONTRACT NO. 66M29		
ILLINOIS FED. AID PROJECT				