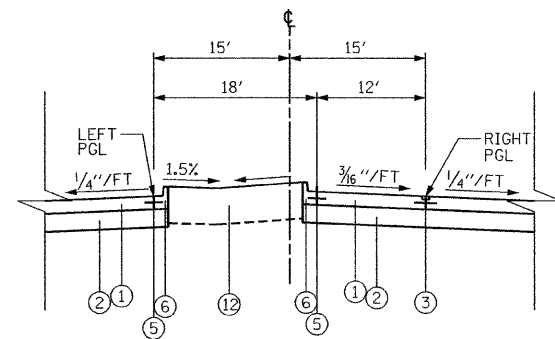


PROPOSED TYPICAL SECTION
22nd STREET
STATION 242+75.24 TO 275+53.84

* SEE LEFT TURN LANE DETAILS
ON SHEET NO. 16



PROPOSED TYPICAL SECTION
22nd STREET
WESTBOUND
STATION 269+28.27 TO 273+12.46
EASTBOUND
STATION 263+92.55 TO 267+87.55

- PROPOSED LEGEND**
- ① PORTLAND CEMENT CONCRETE PAVEMENT 8 3/4" (JOINTED)
 - ② AGGREGATE SUBGRADE 12"
 - ③ LONGITUDINAL SAWED JOINT NO. 6 X 2'-6" LONG DEFORMED TIE BARS (EPOXY COATED) AT 2'-6" C-C (STANDARD 420001-07) (INCLUDED IN THE COST OF PCC PAVEMENT)
 - ④ LONGITUDINAL CONSTRUCTION JOINT NO. 6 X 2' LONG DEFORMED TIE BARS GROUDED-IN-PLACE (EPOXY COATED) AT 2' C-C (STANDARD 420001-07) (INCLUDED IN THE COST OF PCC PAVEMENT)
 - ⑤ NO. 6 X 2' LONG DEFORMED TIE BARS GROUDED-IN-PLACE (EPOXY COATED) AT 2' C-C (STANDARD 420001-07) (INCLUDED IN THE COST OF COMBINATION CURB & GUTTER OR CONC MEDIAN)
 - ⑥ COMBINATION CURB & GUTTER, TY B-6.12
 - ⑦ COMBINATION CURB & GUTTER, TY B-6.24
 - ⑧ CONCRETE MEDIAN, TY SB-6.12
 - ⑨ CONCRETE MEDIAN, TY SB-6.24
 - ⑩ PORTLAND CEMENT CONCRETE SIDEWALK 5 INCH
 - ⑪ TOPSOIL FURNISH AND PLACE 4" AND SODDING AS NOTED ON PLANS
 - ⑫ TOPSOIL FURNISH AND PLACE 24" AND SEEDING AS NOTED ON PLANS
 - ⑬ HOT-MIX ASPHALT REPLACEMENT OVER PATCHES, 2 1/2"
 - ⑭ CLASS D PATCHES, TYPE IV, 10 INCH
 - ⑮ PORTLAND CEMENT CONCRETE PAVEMENT 9 1/2" (JOINTED)

NOTE: BOXED ITEMS ARE INCLUDED IN THE COST OF THE CONTRACT

- EXISTING LEGEND**
- (A) PORTLAND CEMENT CONCRETE PAVEMENT (10" AND VARIES)
 - (B) PORTLAND CEMENT CONCRETE BASE COURSE (9" AND VARIES)
 - (C) HOT MIX ASPHALT SURFACE COURSE (1 1/2" AND VARIES)
 - (D) HOT MIX ASPHALT SURFACE COURSE (1 3/4" AND VARIES)
 - (E) HOT MIX ASPHALT SURFACE COURSE (2" AND VARIES)
 - (F) POLYMERIZED LEVELING BINDER (3/4" AND VARIES)
 - (G) HOT MIX ASPHALT BINDER COURSE (2" AND VARIES)
 - (H) HOT MIX ASPHALT BASE COURSE (12" AND VARIES)
 - (I) STABILIZED SUBBASE (4" AND VARIES)
 - (J) SUBBASE GRANULAR MATERIAL (6" AND VARIES)
 - (K) EXISTING SUBBASE
 - (L) STABILIZED MEDIAN SURFACE (12" AND VARIES)
 - (M) CONCRETE MEDIAN SURFACE (4" AND VARIES)
 - (N) SAND FILL
 - (O) COMBINATION CONCRETE CURB & GUTTER, TY M-2.12
 - (P) COMBINATION CONCRETE CURB & GUTTER, TY M-6.24
 - (Q) COMBINATION CONCRETE CURB & GUTTER, TY B-6.06
 - (R) COMBINATION CONCRETE CURB & GUTTER, TY B-9.12
 - (S) COMBINATION CONCRETE CURB & GUTTER, TY B-6.18
 - (T) COMBINATION CONCRETE CURB & GUTTER, TY B-6.24
 - (U) PORTLAND CEMENT CONCRETE SIDEWALK 5 INCH
 - (V) AGGREGATE BASE COURSE (4" AND VARIES)
 - (W) GROUND SURFACE (ASSUME EXISTING 5" TOPSOIL DEPTH)

| | | | | | | | | | | |
|--|-----------------------|----------------|---|---|-------------------------|-----------|---------|--------|--------------|-----------|
| FILE NAME = | USER NAME = BAW:stort | DESIGNED - TKH | REVISED - | STATE OF ILLINOIS DEPARTMENT OF TRANSPORTATION | TYPICAL SECTIONS | F.A. RTE. | SECTION | COUNTY | TOTAL SHEETS | SHEET NO. |
| g:\ch07\0061\road\sheeta\0160012-SHT-TYPICAL.dgn | DRAWN - TKH | REVISED - | 1453 | | | 55WRS | DUPAGE | 362 | 16A | |
| PLOT SCALE = 50.0000' / IN. | CHECKED - JRH | REVISED - | CONTRACT NO. 60D12 | | | | | | | |
| PLOT DATE = 3/31/2010 | DATE - 4/1/2010 | REVISED - | FED. ROAD DIST. NO. 7 [ILLINOIS] FED. AID PROJECT | | | | | | | |
| | | | | SCALE: NOT TO SCALE SHEET NO. 16A OF 362 SHEETS | | | | | | |