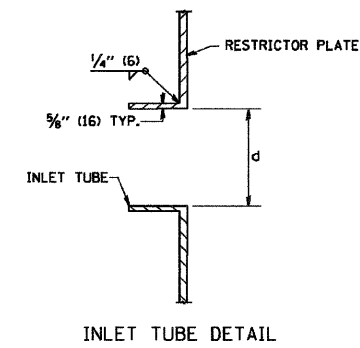
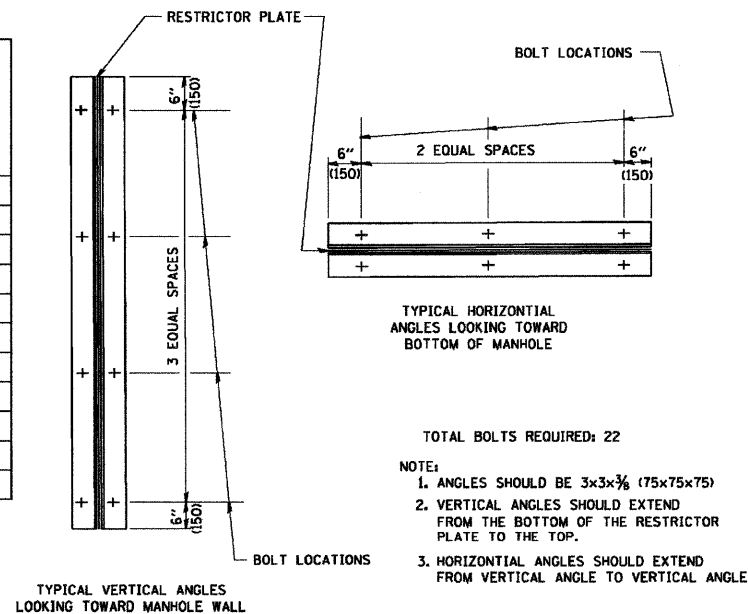


- NOTES:
1. ALL STEEL ANGLES AND PLATES TO BE GALVANIZED AFTER FABRICATION.
 2. ALL RESTRICTOR PLATES, ANGLES AND HARDWARE TO BE INCLUDED IN THE COST OF THE MANHOLE.
 3. BASIS OF PAYMENT: "MANHOLES, TYPE A, 6 FT. (1.8 M) DIAMETER, TYPE 1 FRAME, CLOSED LID, RESTRICTOR PLATE" EACH



STR NUMBER	STATION	MANHOLE DIAMETER	FRAME AND GRATE	RESTRICTOR TYPE	INSIDE RESTRICTOR TYPE DIAMETER in. (mm) (d)	INVERT OF RESTRICTOR TYPE	ELEVATION OF TOP OF PLATE OVERFLOW
1-13	209+95.0, 63.1' RT	6	2 T1F CL	SHARP EDGED	17	704.89	709.79
4-31	242+90.0, 78.0' LT	6	2 T1F CL	SHARP EDGED	23	701.28	704.62
5-4	251+23.9, 65.0' LT	6	2 T1F CL	SHARP EDGED	10	693.52	696.80
5-47	257+30.0, 77.0' RT	6	2 T1F CL	SHARP EDGED	13	686.53	691.17
5-49	253+40.8, 73.5' LT	6	2 T1F CL	SHARP EDGED	11	685.62	689.48
6-34	269+42.0, 65.0' LT	6	2 T1F CL	SHARP EDGED	18	683.26	685.91



RESTRICTOR TYPE					
1	2	3	4	5	6
RE-ENTRANT TUBE	SHARP EDGED	SQUARE EDGED	RE-ENTRANT TUBE	SQUARE EDGED	ROUNDED
LENGTH: 1/2 TO 1 DIA.		STREAM CLEARS SIDES	LENGTH: 2-1/2 DIA.	LENGTH: 2-1/2 DIA.	
C=.52	C=.61	C=.61	C=.73	C=.82	C=.98

VALUES OF "C" FOR CIRCULAR AND SQUARE ORIFICES

STEEL ANGLE BOLTING DETAILS

ALL DIMENSIONS ARE IN INCHES (MILLIMETERS) UNLESS OTHERWISE SHOWN.

FILE NAME = M:\distatd\22\34\bol2.dgn	USER NAME = gegljanobt	DESIGNED - R. SHAH	REVISED - R. SHAH 10-25-94
		DRAWN -	REVISED - E. GOMEZ 08-28-00
	PLOT SCALE = 58.000' / IN.	CHECKED -	REVISED - M. GOMEZ 01-08-01
	PLOT DATE = 1/4/2008	DATE - 09-09-94	REVISED -

STATE OF ILLINOIS
DEPARTMENT OF TRANSPORTATION

MANHOLE WITH RESTRICTOR PLATE			
SCALE: NONE	SHEET NO. 1 OF 1 SHEETS	STA.	TO STA.

F.A. - RTE.	SECTION	COUNTY	TOTAL SHEETS	SHEET NO.
1453	55WRS	DUPAGE	362	253
BD600-04 (BD-12)		CONTRACT NO. 60D12		
FED. ROAD DIST. NO. 1 (ILLINOIS) FED. AID PROJECT				