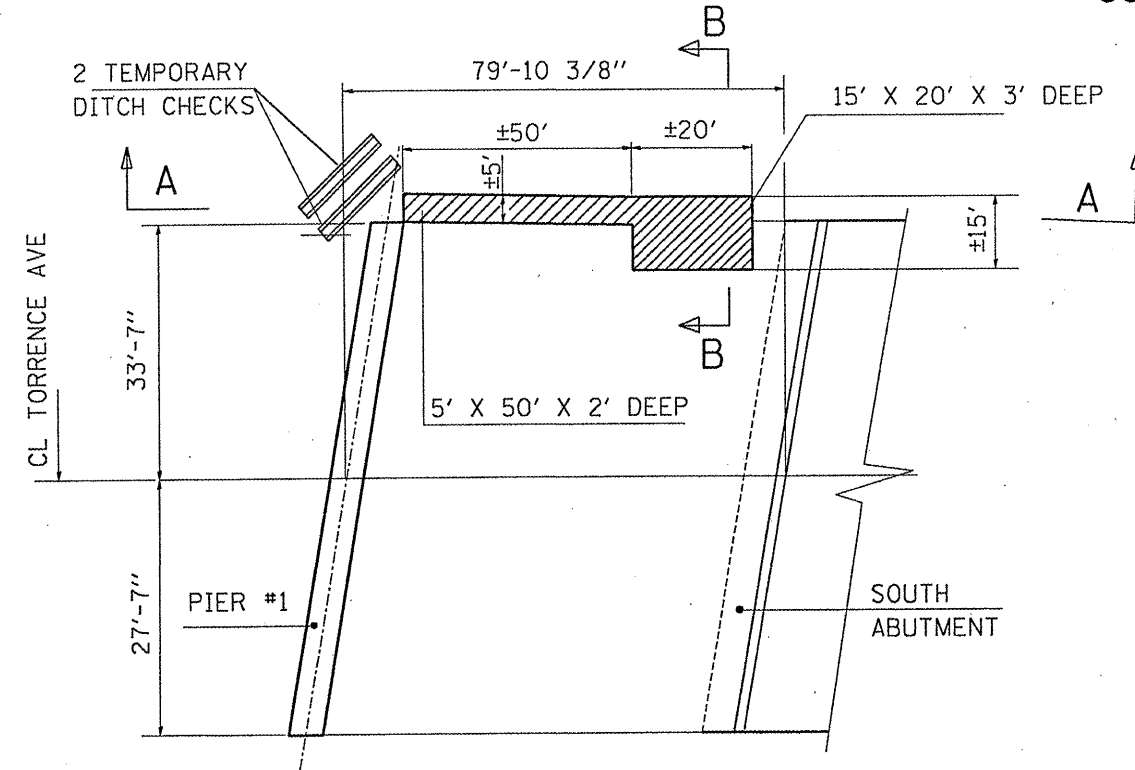
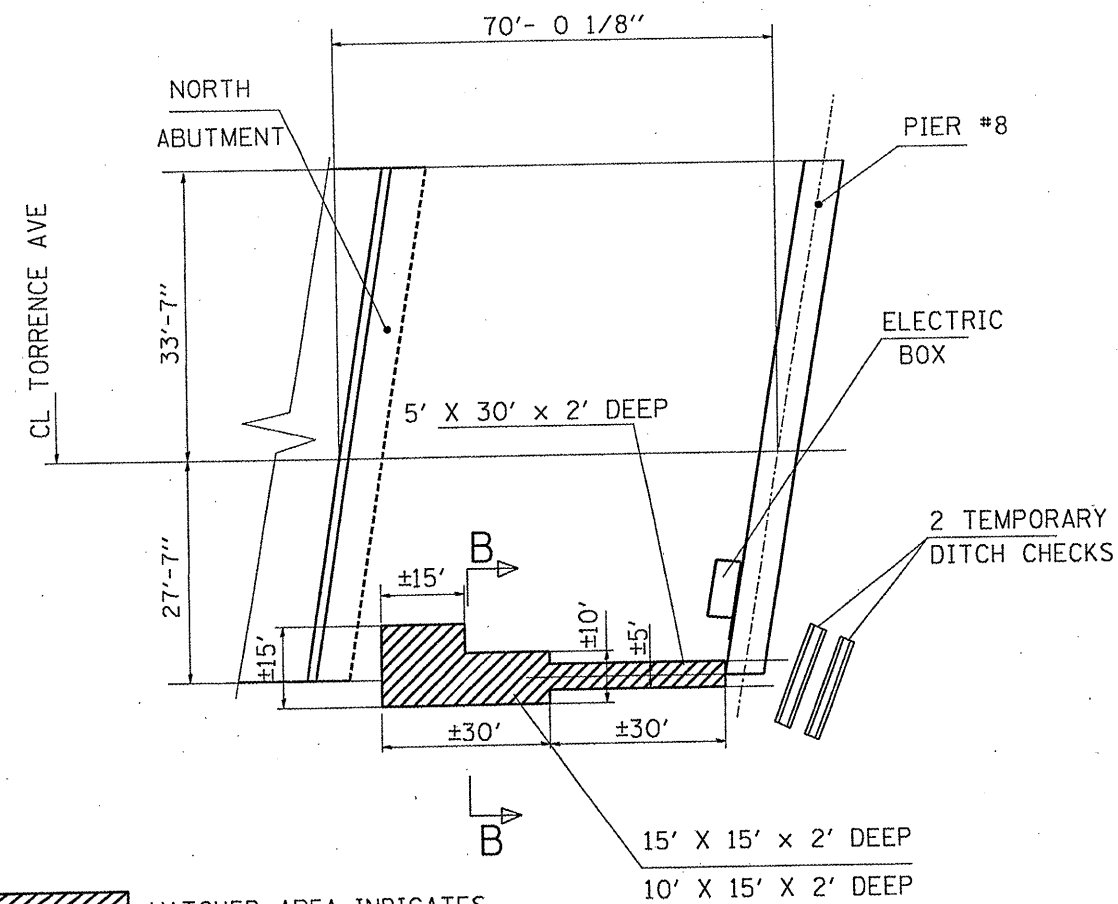
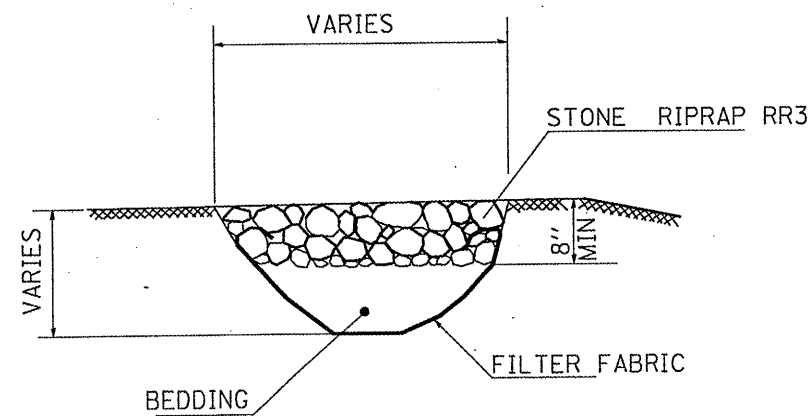
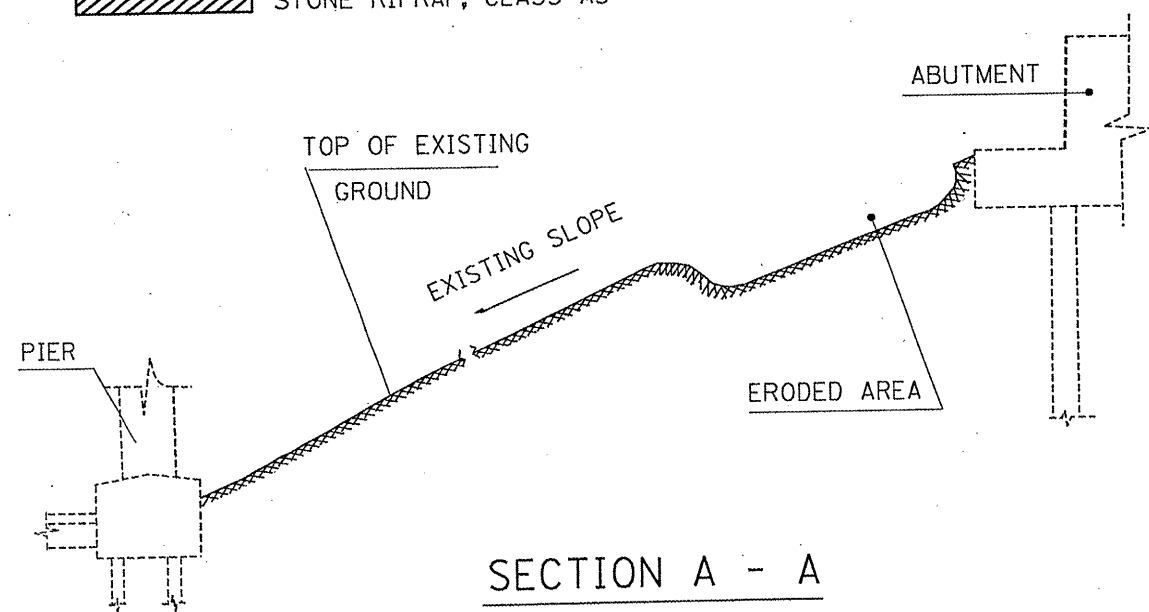


ROUTE	SECTION	COUNTY	TOTAL SHEETS	SHEET NUMBER
IL 58 / I94	2009-074 I	COOK	12	6

CONTRACT 60H85



HATCHED AREA INDICATES
STONE RIPRAP, CLASS A3



TWO EXISTING PVC PIPE FLOOR DRAIN EXTENSIONS
SHALL REMAIN IN PLACE.

SHEET 2 OF 2

ILLINOIS DEPARTMENT OF
TRANSPORTATION

LOCATION 1: SN 016-0935
TORRENCE AVE OVER CSXT & IHB RR's
BRIDGE PLAN