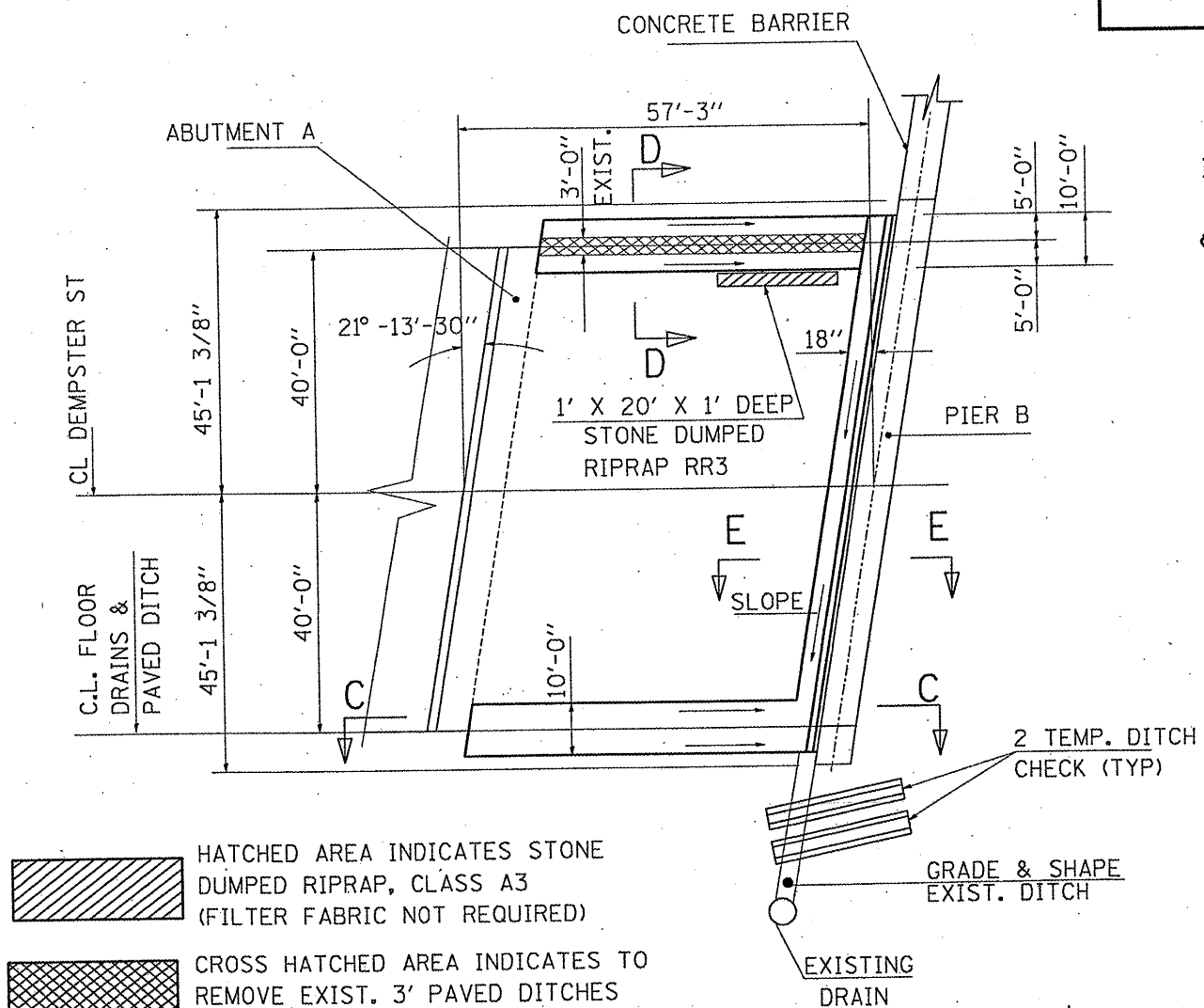


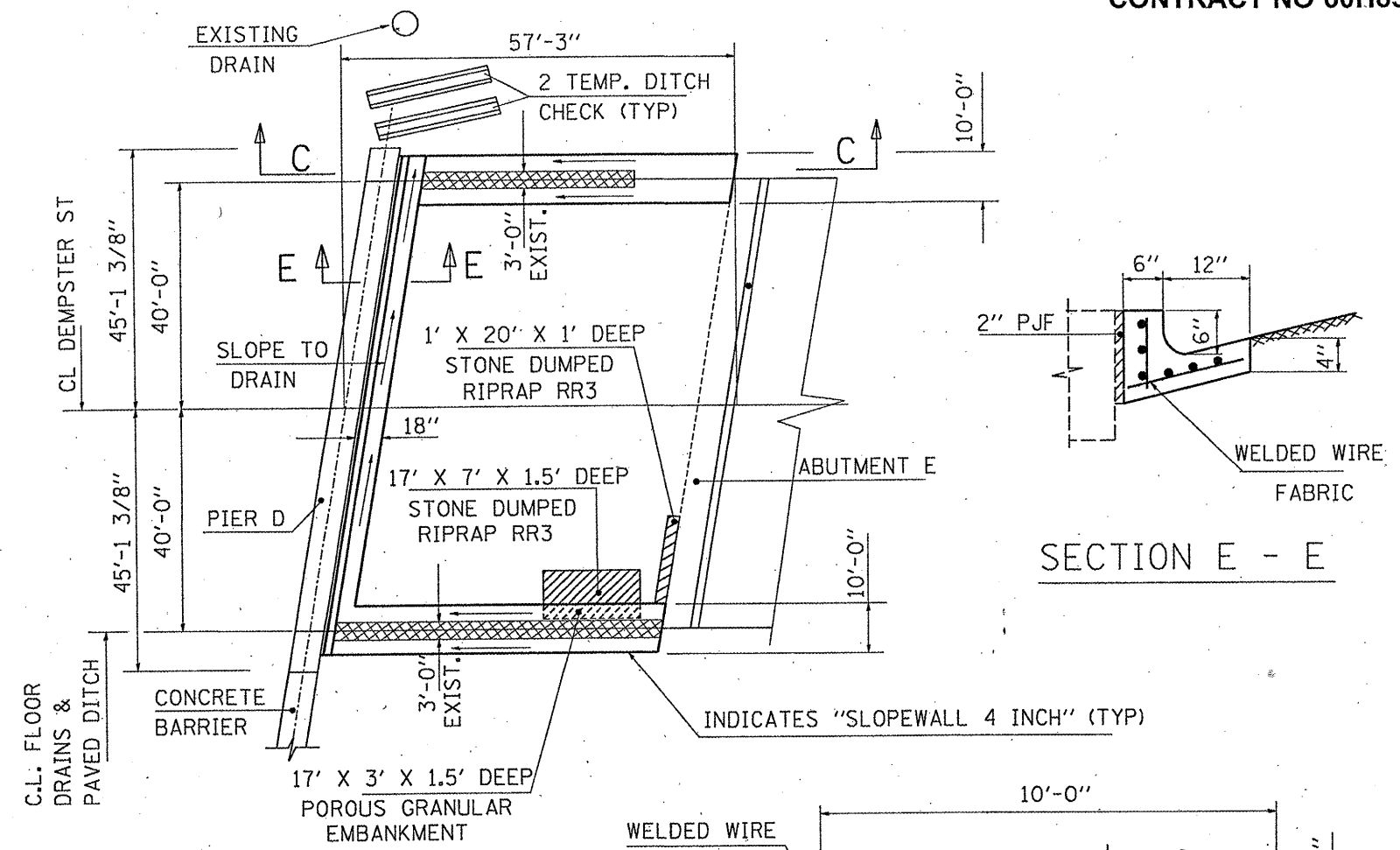
ROUTE VARIOUS	SECTION 2009-074 I	COUNTY COOK	TOTAL SHEETS 11	SHEET NUMBER 8
------------------	-----------------------	----------------	-----------------------	----------------------

CONTRACT NO 60H85

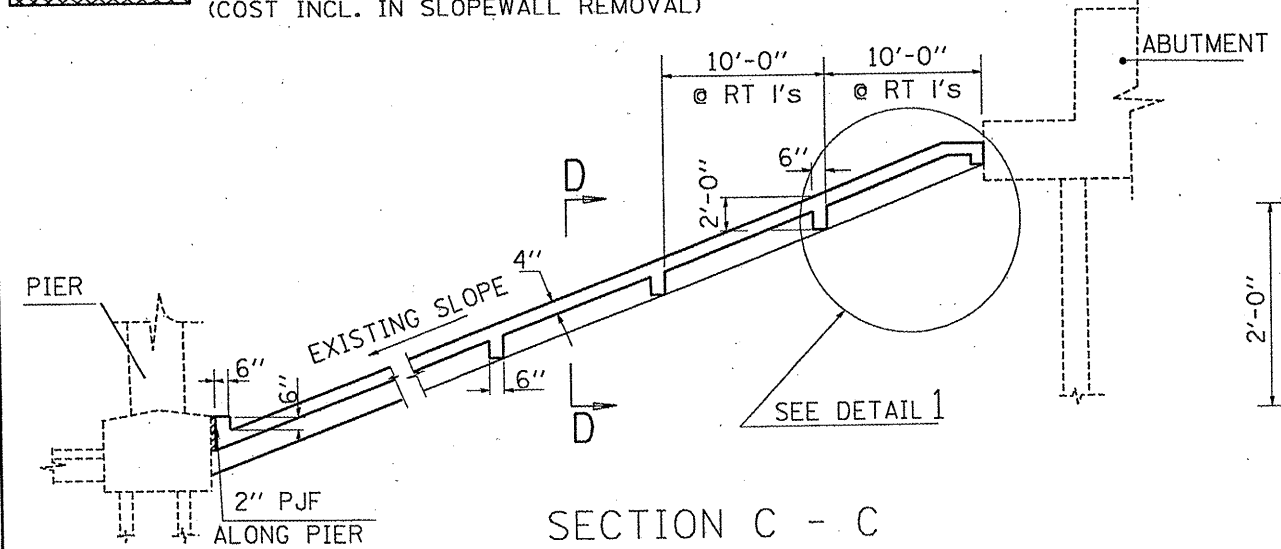


HATCHED AREA INDICATES STONE DUMPED RIPRAP, CLASS A3 (FILTER FABRIC NOT REQUIRED)

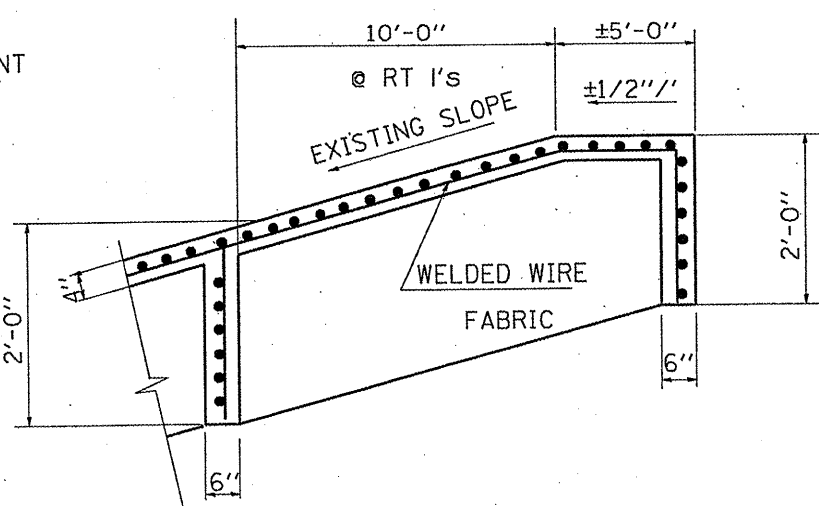
CROSS HATCHED AREA INDICATES TO REMOVE EXIST. 3' PAVED DITCHES (COST INCL. IN SLOPEWALL REMOVAL)



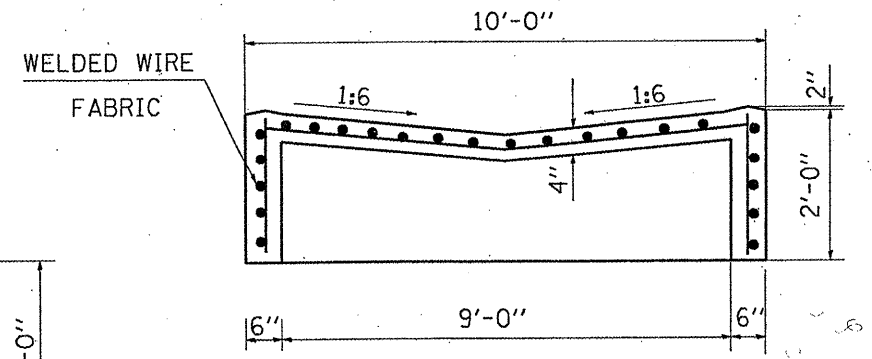
SECTION E - E



SECTION C - C



DETAIL 1



SECTION D - D

THE EXIST. CORRUGATED PIPE ON NORTH SIDE & PVC PIPE ON SOUTH WEST SIDE OF THE BRIDGE SHALL BE REMOVED. THE CONTRACTOR SHALL CLEAN & POWER WASH ALL BRIDGE DECK SCUPPERS AND FLOOR DRAINS. COST INCLUDED IN SLOPEWALL 4".

SHEET 2 OF 3

ILLINOIS DEPARTMENT OF
TRANSPORTATION

LOCATION 2: SN 016 - 0943
IL 58 (DEMPSTER ST) OVER I- 94
BRIDGE PLAN