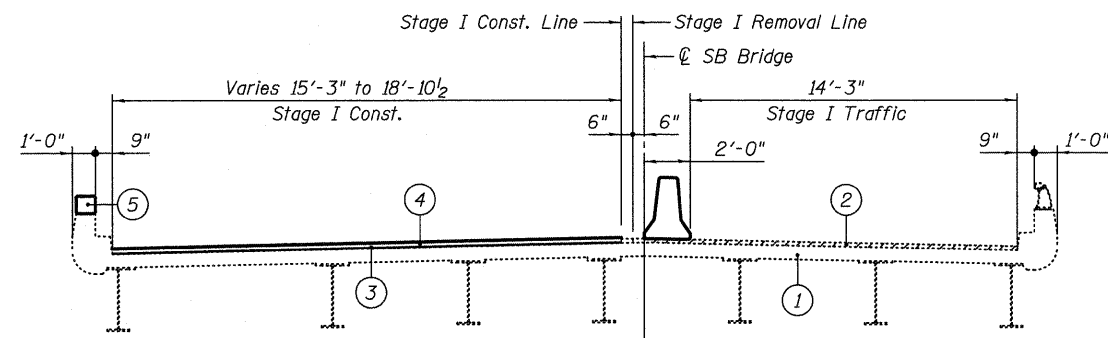
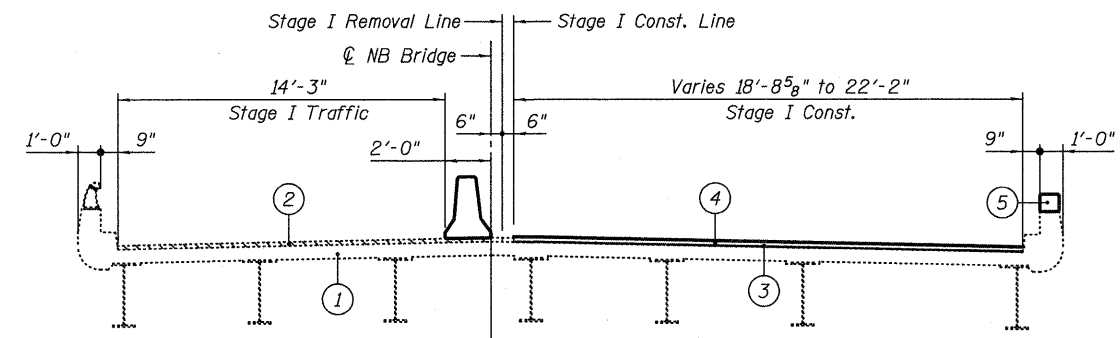


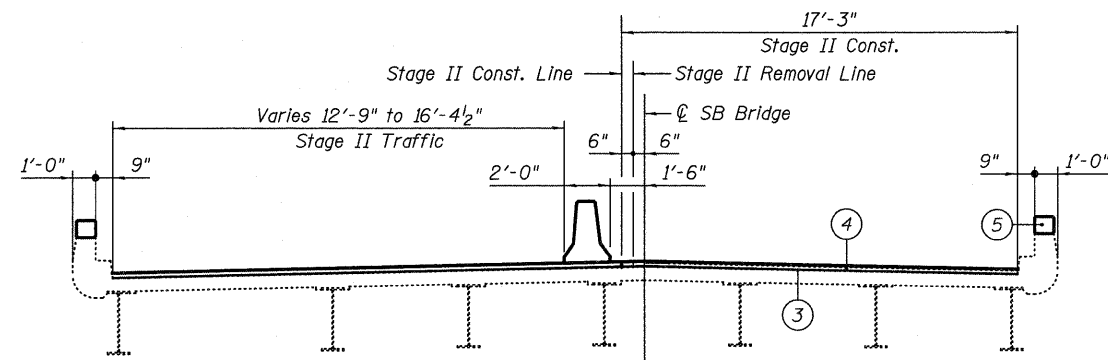
STATE OF ILLINOIS
DEPARTMENT OF TRANSPORTATION



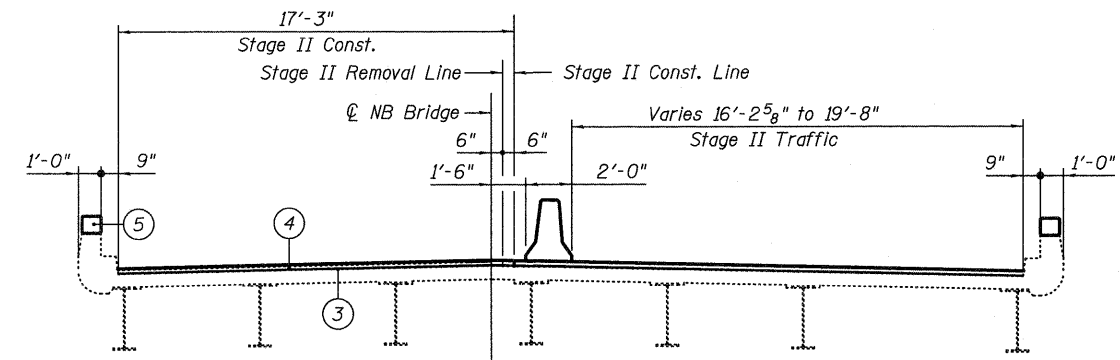
STAGE I CONST. - SB BRIDGE
(Looking North)



STAGE I CONST. - NB BRIDGE
(Looking North)



STAGE II CONST. - SB BRIDGE
(Looking North)



STAGE II CONST. - NB BRIDGE
(Looking North)

LEGEND

- ① Existing 7" slab
- ② Existing 2" HMA Wearing Surface and Waterproofing Membrane System to be removed
- ③ Proposed 1/2" Bridge Deck Hydro-Scarification
- ④ Proposed 2 1/4" Bridge Deck Latex Concrete Overlay
- ⑤ Proposed 9" Concrete Parapet Extension

DESIGNED - CMV
CHECKED - SDS
DRAWN - DLH
CHECKED - CMV

WHKS & CO.
ENGINEERING
7018 KINGSMILL CT.,
SPRINGFIELD, IL
(217) 483-9457
DESIGN FIRM #184001036

STAGE CONSTRUCTION DETAILS
I-57 OVER ABANDONED RAILROAD
F.A.I. RTE. 57 - SECTION 99-2VB-I-1
WILL COUNTY
STATION 942+54.75
STRUCTURE NO. 099-0038 (NB)
STRUCTURE NO. 099-0039 (SB)

SHEET NO. 3 23 SHEETS	F.A.I. RTE.	SECTION	COUNTY	TOTAL SHEETS	SHEET NO.
	57	99-2VB-I-1	WILL	38	13
C-91-215-10			CONTRACT NO. 60J25		
ILLINOIS FED. AID PROJECT					