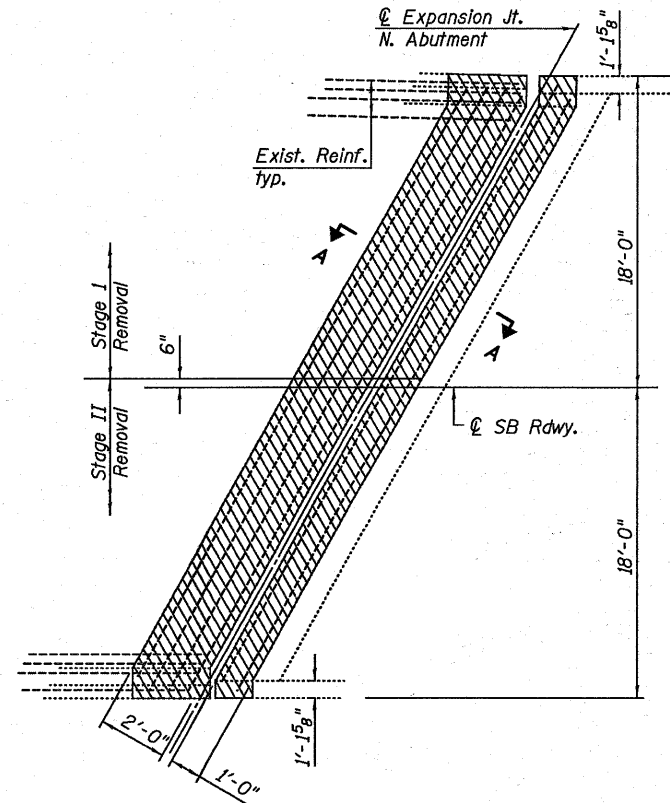
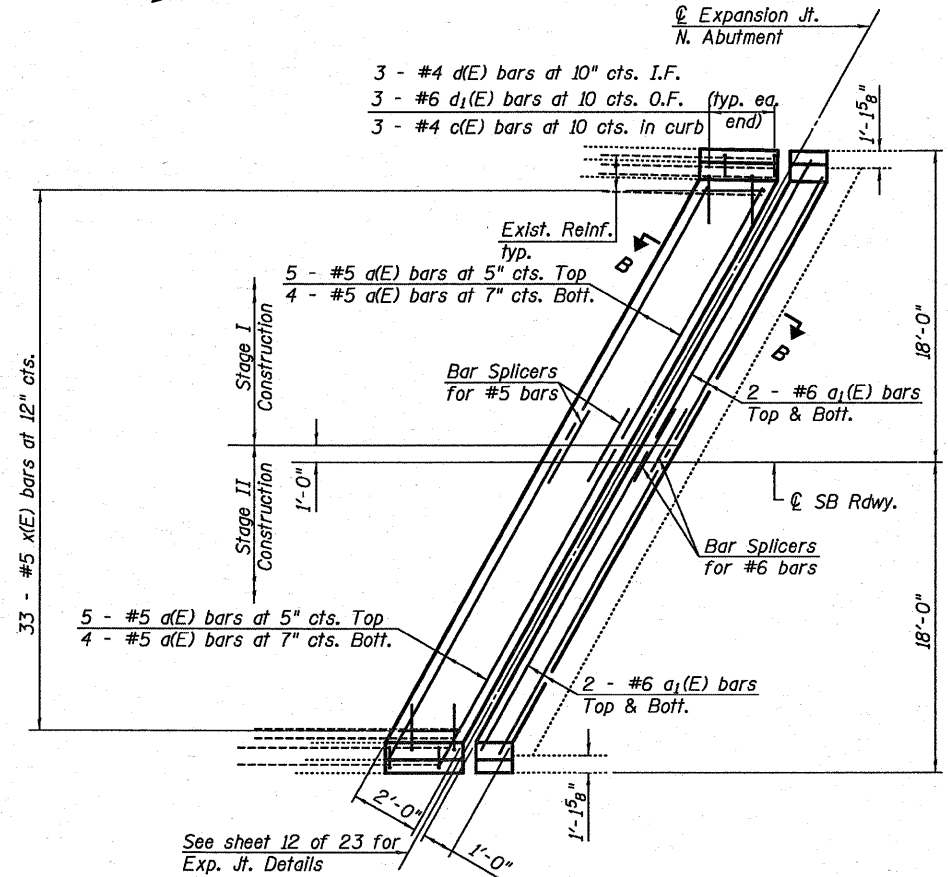


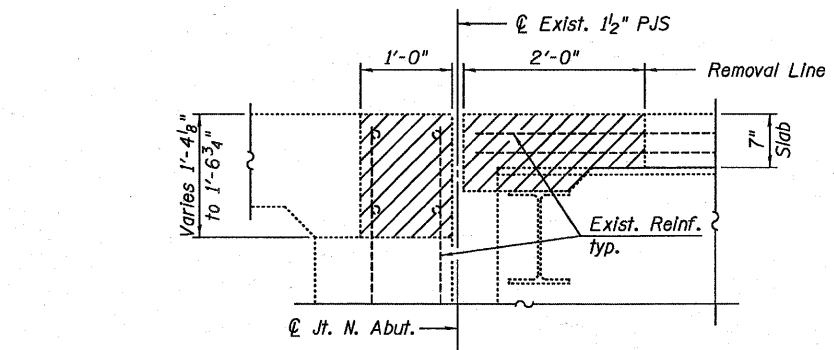
STATE OF ILLINOIS  
DEPARTMENT OF TRANSPORTATION



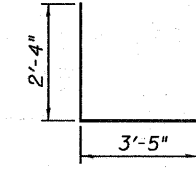
**PARTIAL PLAN SHOWING CONCRETE REMOVAL  
AT SB BRIDGE - NORTH ABUT.**



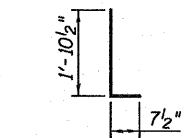
**PARTIAL PLAN SHOWING CONCRETE REPLACEMENT  
AT SB BRIDGE - NORTH ABUT.**



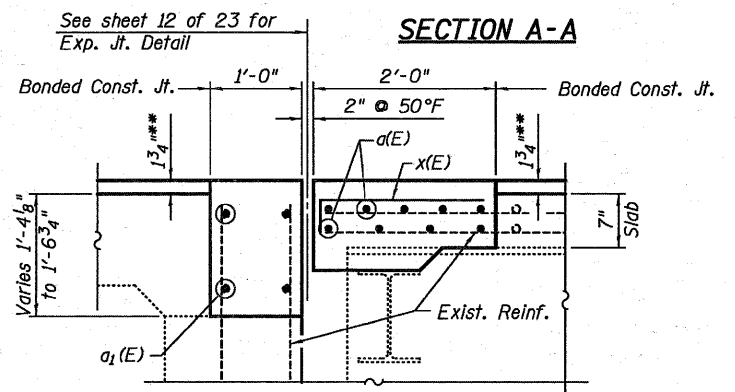
**SECTION A-A**



**BAR d(E)**



**BAR d1(E)**



**SECTION B-B**

\*\* Concrete to be 1 3/4" higher than exist. since exist. deck will get 1/2" hydroscarification, and 2 1/4" Latex concrete overlay, for an increase of 1 3/4".

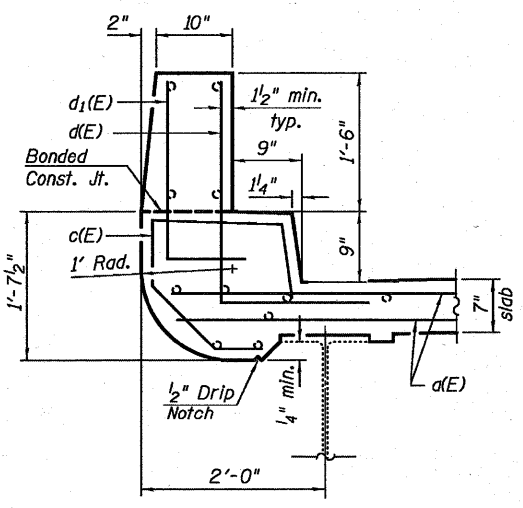
**Notes:**

Hatched areas indicate concrete sections to be removed and replaced. Perimeters at concrete removal areas shall be saw cut 3/4" prior to removal of the concrete. Existing reinforcement shall be cleaned, straightened (if required) and incorporated into the new construction. Cost included with Concrete Removal.

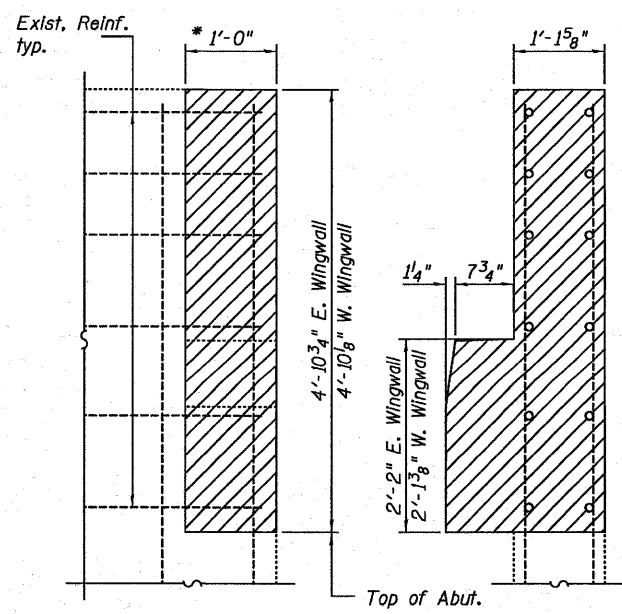
\* Concrete removal of the existing wingwalls in the area of the existing Name Plates shall be adjusted to ensure complete removal and reinstallation of the Name Plates. Cost included with "Relocating Name Plates".

**BILL OF MATERIAL**

Bar	No.	Size	Length	Shape
a(E)	18	#5	20'-3"	—
a1(E)	8	#6	18'-5"	—
c(E)	6	#4	4'-9"	⌒
d(E)	6	#4	5'-9"	⌒
d1(E)	6	#6	2'-6"	⌒
x(E)	33	#5	2'-7"	⌒
Concrete Removal			Cu. Yd.	5.0
Concrete Superstructure			Cu. Yd.	5.6
Bar Splicers			Each	13
Reinforcement Bars, Epoxy Coated			Pound	760

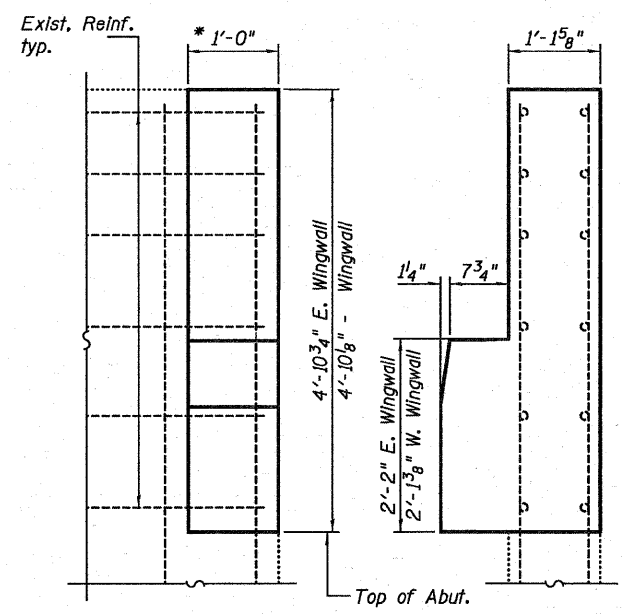


**SECTION THRU PARAPET**



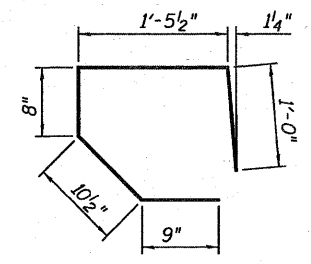
**ELEVATION END VIEW**

**WINGWALL CONCRETE REMOVAL DETAIL**

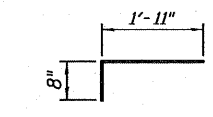


**ELEVATION END VIEW**

**WINGWALL CONCRETE REPLACEMENT DETAIL**



**BAR c(E)**



**BAR x(E)**

DESIGNED - CMV
CHECKED - SDS
DRAWN - DLH
CHECKED - CMV

**WHKS & CO.**  
ENGINEERING  
7018 KINGSMILL CT.,  
SPRINGFIELD, IL  
(217) 483-9457  
DESIGN FIRM #184001038

(Sheet 3 of 4)  
**SB BRIDGE N. JOINT REPLACEMENT  
I-57 OVER ABANDONED RAILROAD  
F.A.I. RTE. 57 - SECTION 99-2VB-I-1  
WILL COUNTY  
STATION 942+54.75  
STRUCTURE NO. 099-0038 (NB)  
STRUCTURE NO. 099-0039 (SB)**

SHEET NO. 10 23 SHEETS	F.A.I. RTE.	SECTION	COUNTY	TOTAL SHEETS	SHEET NO.
	57	99-2VB-I-1	WILL	38	20
C-91-215-10			CONTRACT NO. 60J25		
ILLINOIS FED. AID PROJECT					