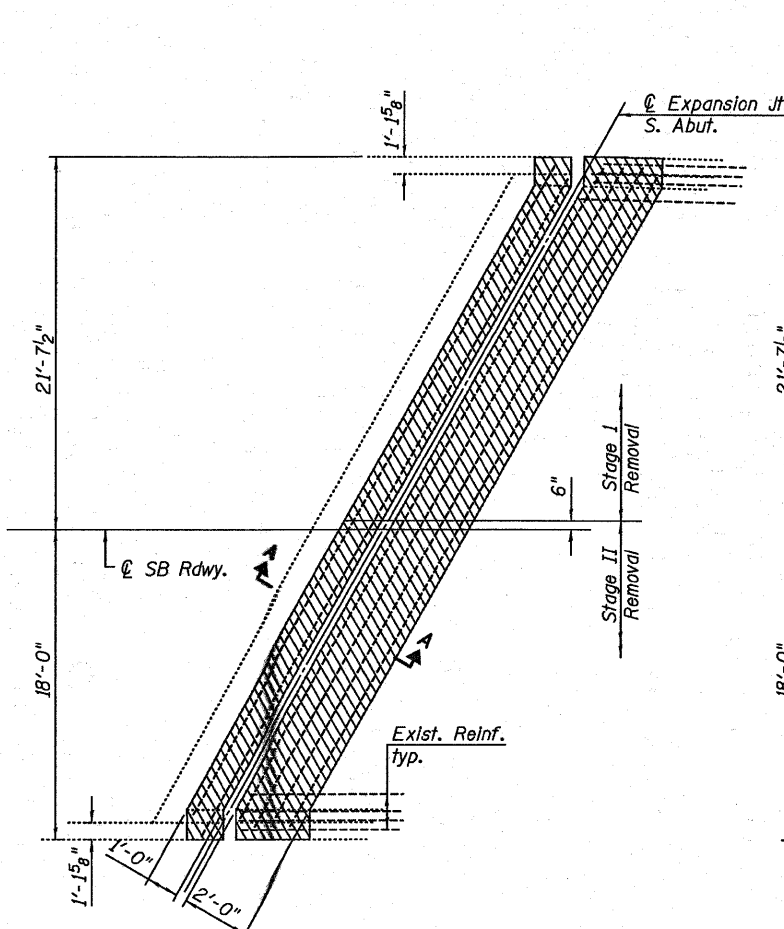
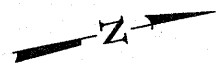
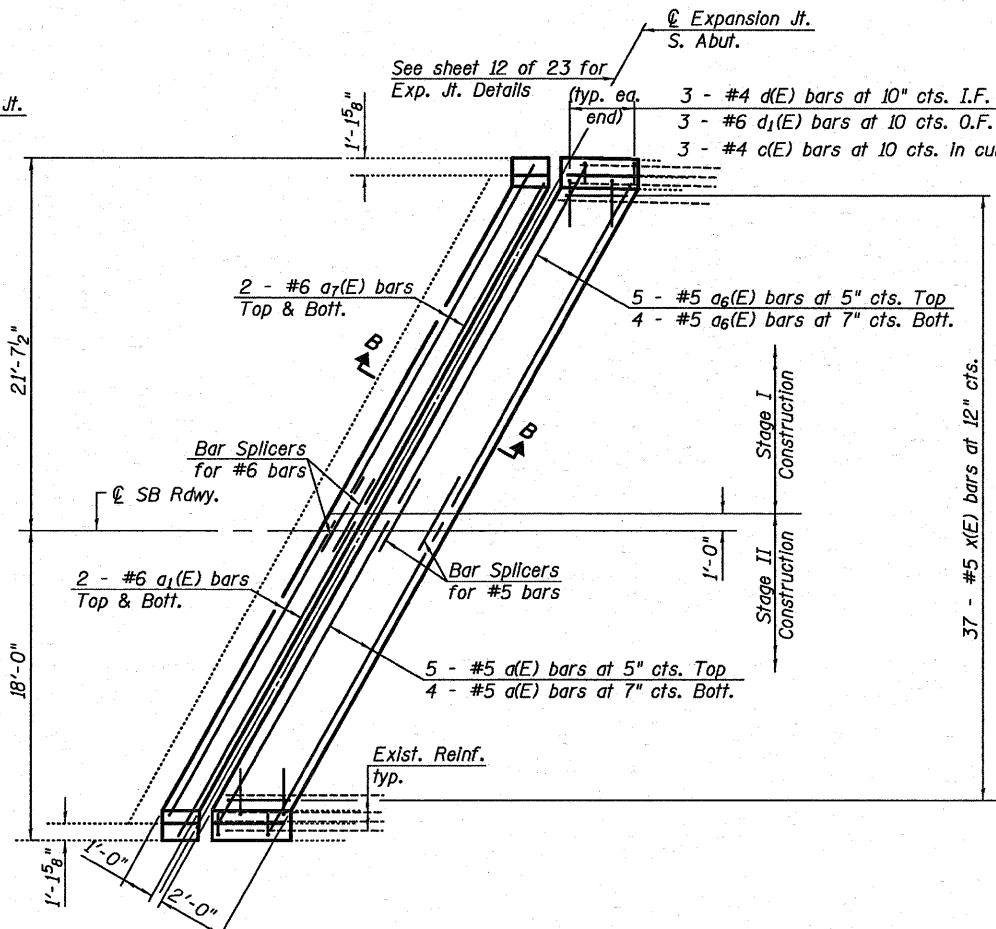


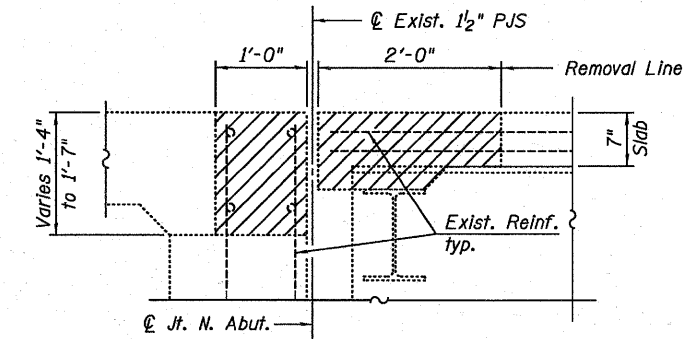
STATE OF ILLINOIS
DEPARTMENT OF TRANSPORTATION



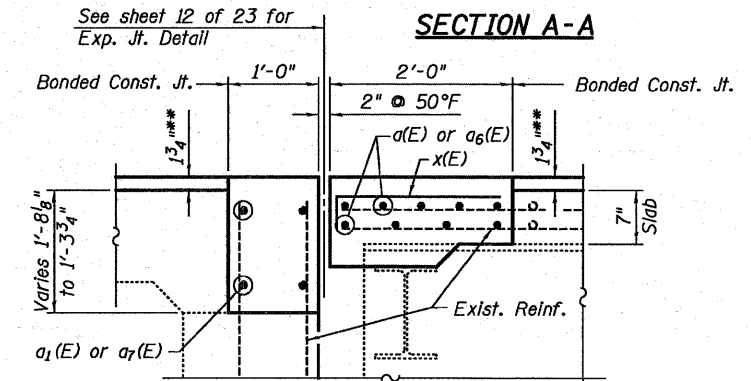
**PARTIAL PLAN SHOWING CONCRETE REMOVAL
AT SB BRIDGE - SOUTH ABUT.**



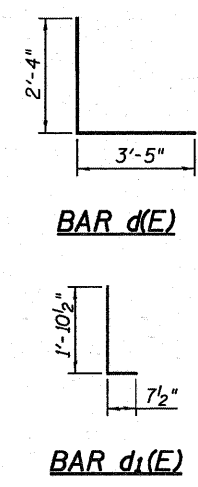
**PARTIAL PLAN SHOWING CONCRETE REPLACEMENT
AT SB BRIDGE - SOUTH ABUT.**



SECTION A-A



SECTION B-B

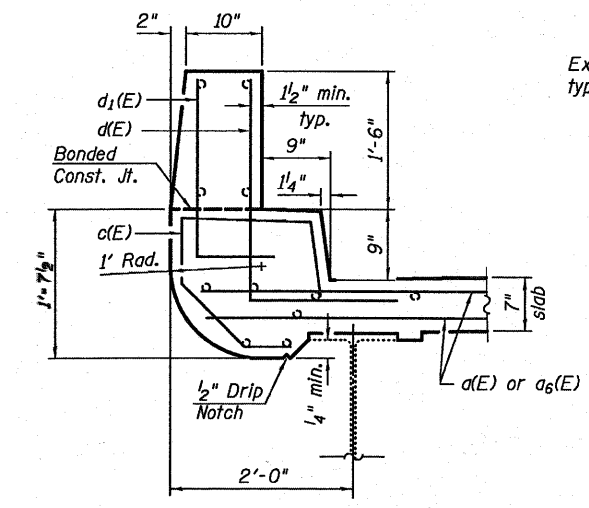


** Concrete to be 1 3/4" higher than exist. since exist. deck will get 1/2" hydroscarification, and 2 1/4" latex concrete overlay, for an increase of 1 3/4".

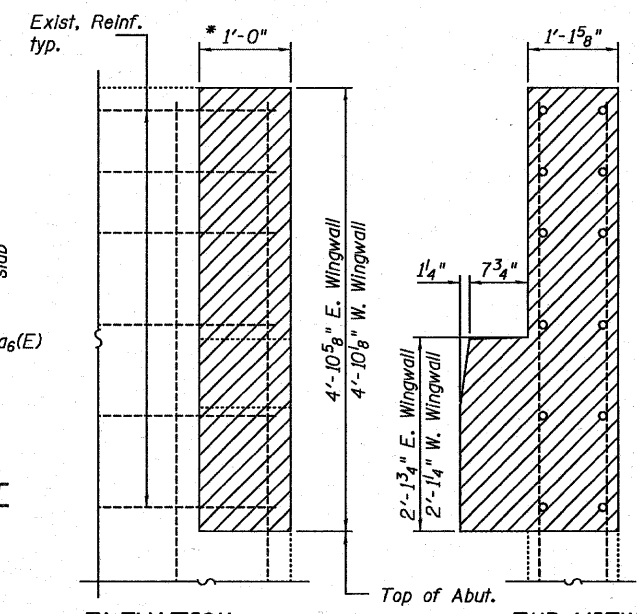
Notes:
Hatched areas indicate concrete sections to be removed and replaced. Perimeters at concrete removal areas shall be saw cut 3/4" prior to removal of the concrete.
Existing reinforcement shall be cleaned, straightened (if required) and incorporated into the new construction. Cost included with Concrete Removal.
* Concrete removal of the existing wingwalls in the area of the existing Name Plates shall be adjusted to ensure complete removal and reinstallation of the Name Plates. Cost included with "Relocating Name Plates".

BILL OF MATERIAL

Bar	No.	Size	Length	Shape
a(E)	9	#5	20'-3"	—
a1(E)	4	#6	18'-5"	—
a6(E)	9	#5	23'-10"	—
a7(E)	4	#6	22'-6"	—
c(E)	6	#4	4'-9"	┌
d(E)	6	#4	5'-9"	┌
d1(E)	6	#6	2'-6"	┌
x(E)	37	#5	2'-7"	┌
Concrete Removal			Cu. Yd.	5.4
Concrete Superstructure			Cu. Yd.	6.2
Bar Splicers			Each	13
Reinforcement Bars, Epoxy Coated			Pound	830

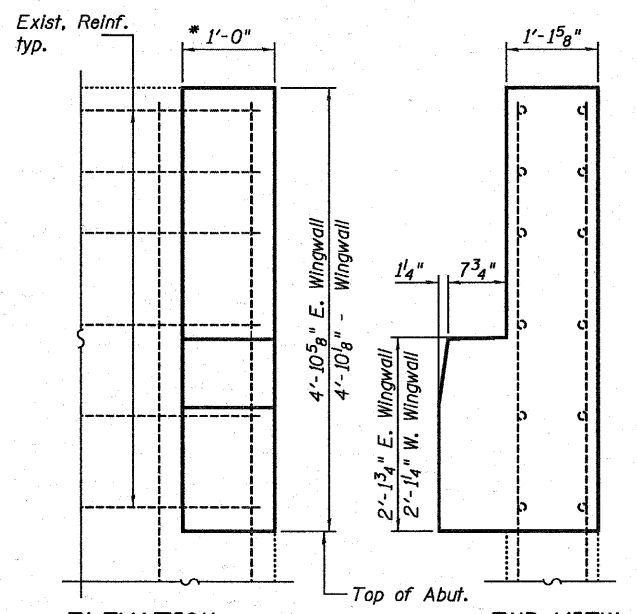


SECTION THRU PARAPET



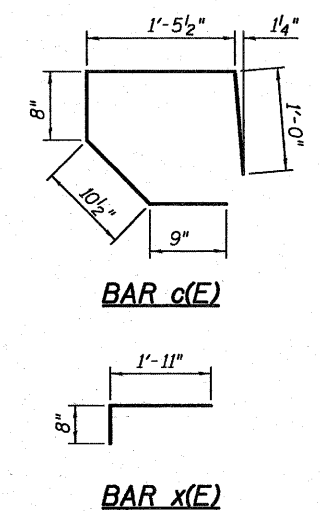
ELEVATION END VIEW

WINGWALL CONCRETE REMOVAL DETAIL



ELEVATION END VIEW

WINGWALL CONCRETE REPLACEMENT DETAIL



BAR c(E)

BAR x(E)

DESIGNED - CMV
CHECKED - SDS
DRAWN - DLH
CHECKED - CMV

WHKS & CO. ENGINEERING
7018 KINGSMILL CT., SPRINGFIELD, IL (217) 483-9457
DESIGN FIRM #184001036

(Sheet 4 of 4)
**SB BRIDGE S. JOINT REPLACEMENT
I-57 OVER ABANDONED RAILROAD
F.A.I. RTE. 57 - SECTION 99-2VB-I-1
WILL COUNTY
STATION 942+54.75
STRUCTURE NO. 099-0038 (NB)
STRUCTURE NO. 099-0039 (SB)**

SHEET NO. 11 23 SHEETS	F.A.I. RTE. 57	SECTION 99-2VB-I-1	COUNTY WILL	TOTAL SHEETS 38	SHEET NO. 21
	C-91-215-10		CONTRACT NO. 60J25		
ILLINOIS FED. AID PROJECT					