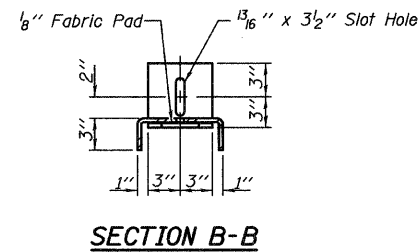
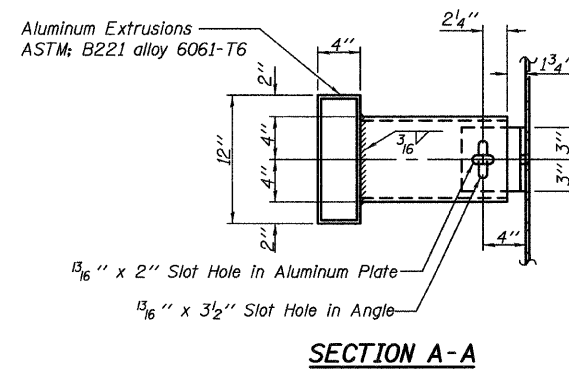
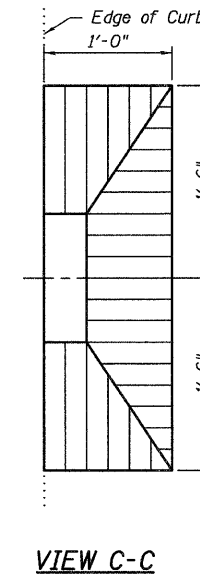
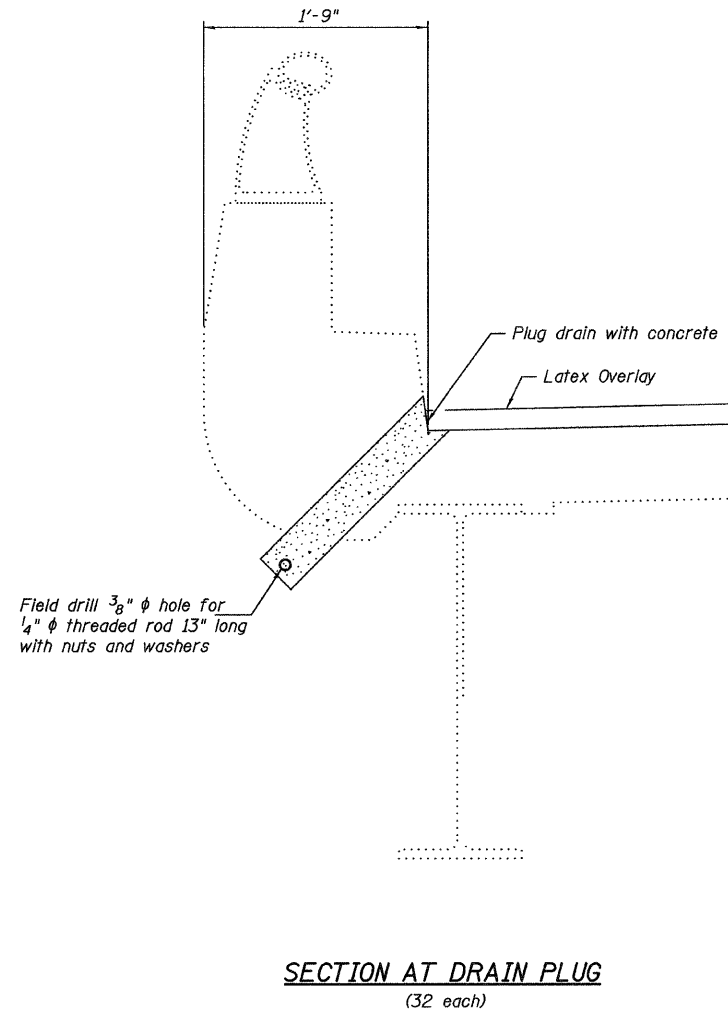
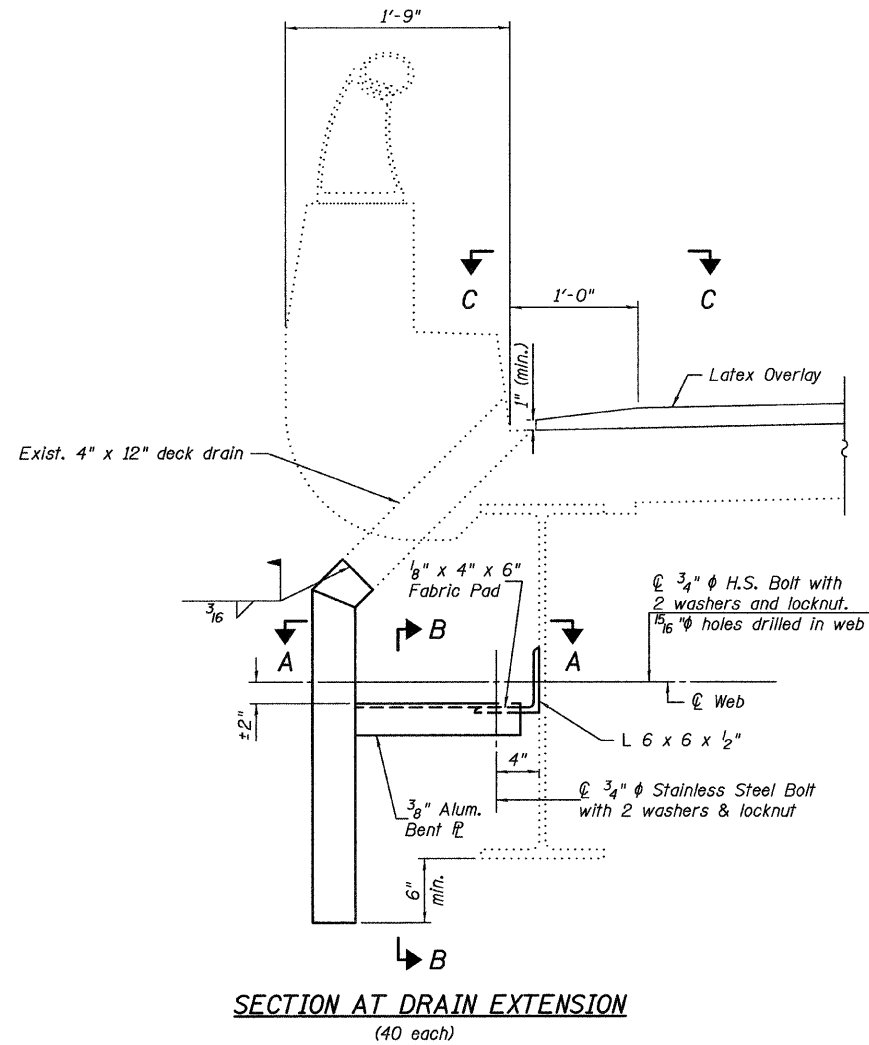


STATE OF ILLINOIS
DEPARTMENT OF TRANSPORTATION



Note:
See sheet 5 of 23 for existing drain locations.

DRAIN MODIFICATION DETAILS
I-57 OVER ABANDONED RAILROAD
F.A.I. RTE. 57 - SECTION 99-2VB-I-1
WILL COUNTY
STATION 942+54.75
STRUCTURE NO. 099-0038 (NB)
STRUCTURE NO. 099-0039 (SB)

DESIGNED - CMV
CHECKED - SDS
DRAWN - DLH
CHECKED - CMV

WHKS & CO.
ENGINEERING

7018 KINGSMILL CT.,
SPRINGFIELD, IL
(217) 483-9457
DESIGN FIRM #184001036

SHEET NO. 22 23 SHEETS	F.A.I. RTE.	SECTION	COUNTY	TOTAL SHEETS	SHEET NO.
	57	99-2VB-I-1	WILL	38	32
C-91-215-10			CONTRACT NO. 60J25		
ILLINOIS FED. AID PROJECT					