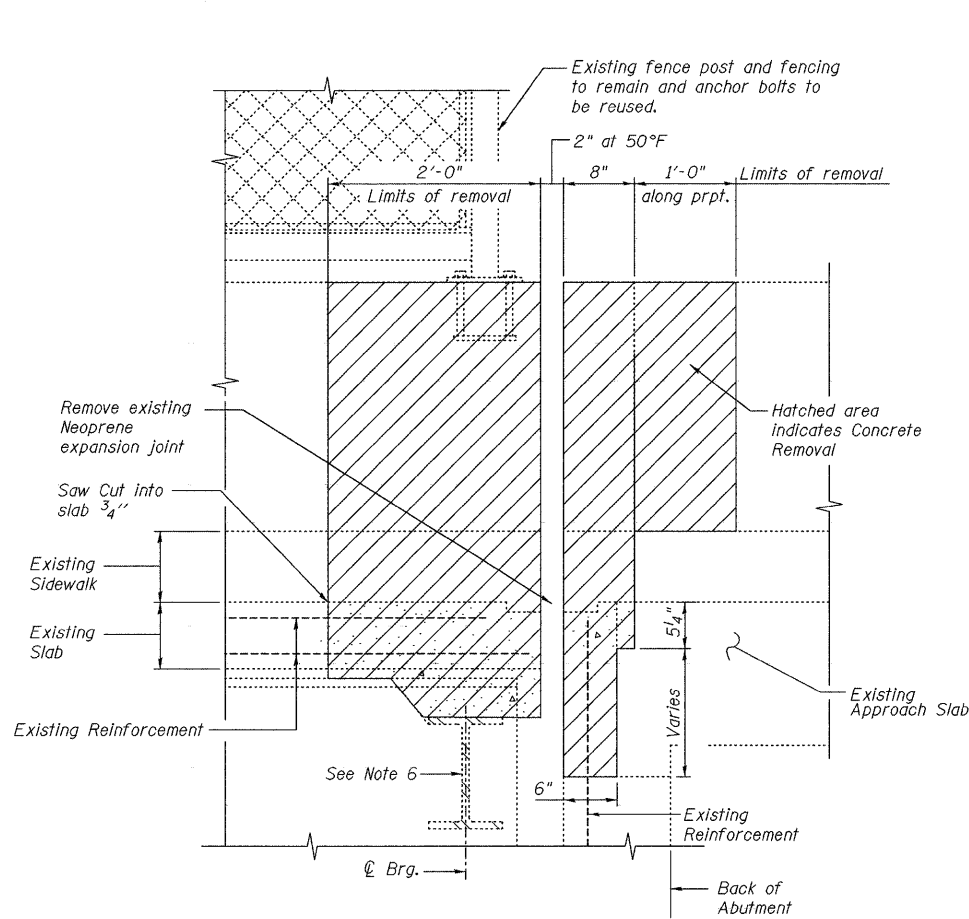
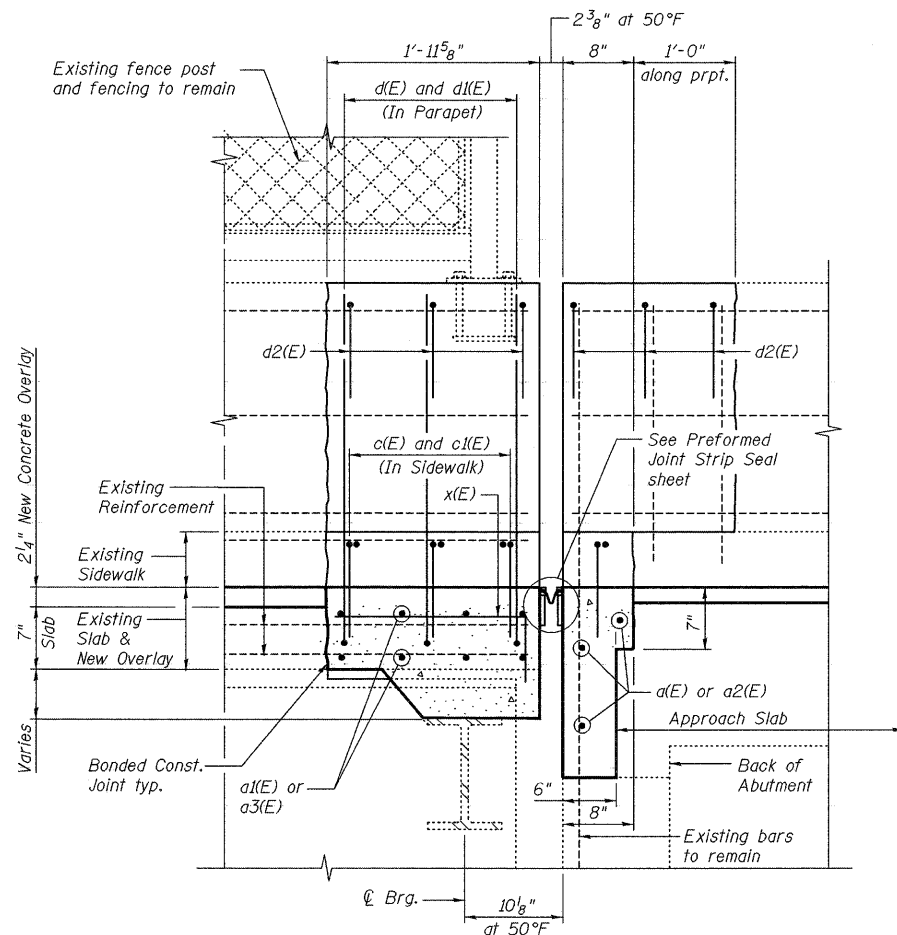


STATE OF ILLINOIS  
DEPARTMENT OF TRANSPORTATION



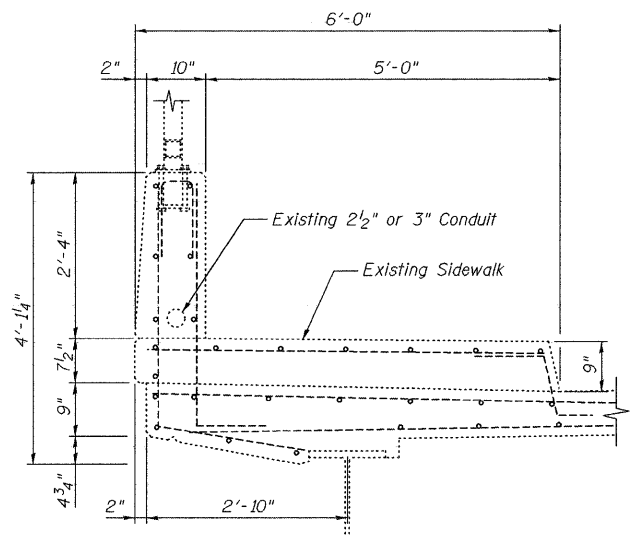
**SECTION A-A**  
(South Parapet shown,  
North Parapet opposite hand)



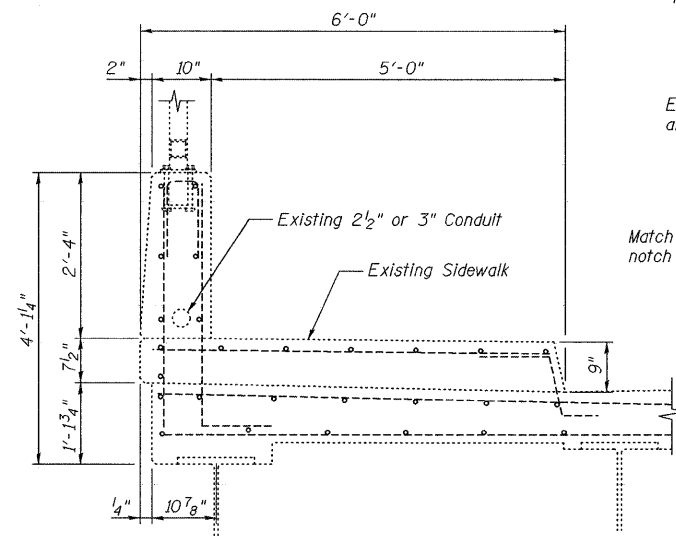
**SECTION B-B**  
(South Parapet shown,  
North Parapet opposite hand)

**Notes:**

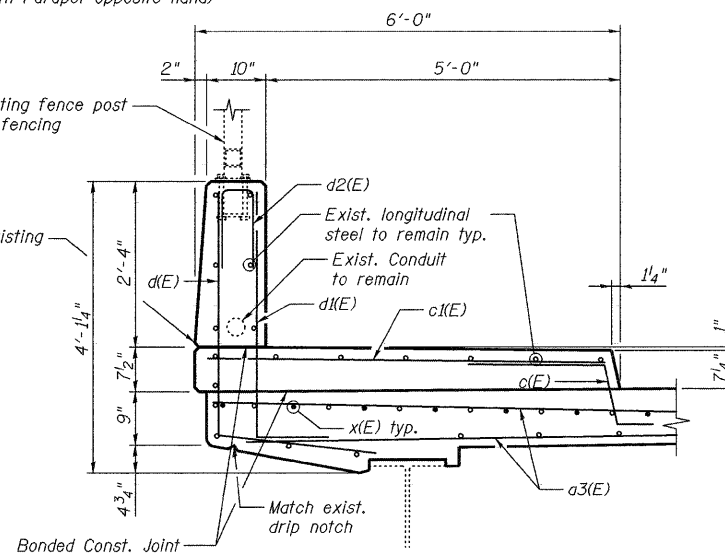
- Existing reinforcement bars extending into the concrete removal area shall be cleaned, straightened and incorporated into the new construction. Any reinforcement bars that are damaged during concrete removal shall be replaced with an approved bar splicer or anchorage system. Cost included with Concrete Removal.
- Existing reinforcement bars in the concrete removal area parallel to the expansion joints shall be removed.
- Removal and disposal of the existing expansion joints will not be paid for separately, but shall be included with the cost of Concrete Removal.
- The Contractor shall exercise extreme care with the existing conduits in sections of the parapet to be removed and to protect and support the conduit. The Contractor will be required to repair any damage done to the conduit to the satisfaction of the Engineer. No splicing will be allowed to any cable damage resulting from this work, instead the Contractor will be required to repair the entire span of any damaged cable at no additional cost to the Department.
- Existing fencing and posts in areas of parapet reconstruction shall be supported and reattached to the new parapet concrete. Anchors, nuts and washers shall be reused. Cost included with Concrete Superstructure.
- Contractor may remove and reinstall the existing diaphragm members as necessary to complete the required concrete removal and reconstruction. Cost included with Concrete Removal.
- Work this sheet with Expansion Joint Repairs and Preformed Joint Strip Seal sheets.



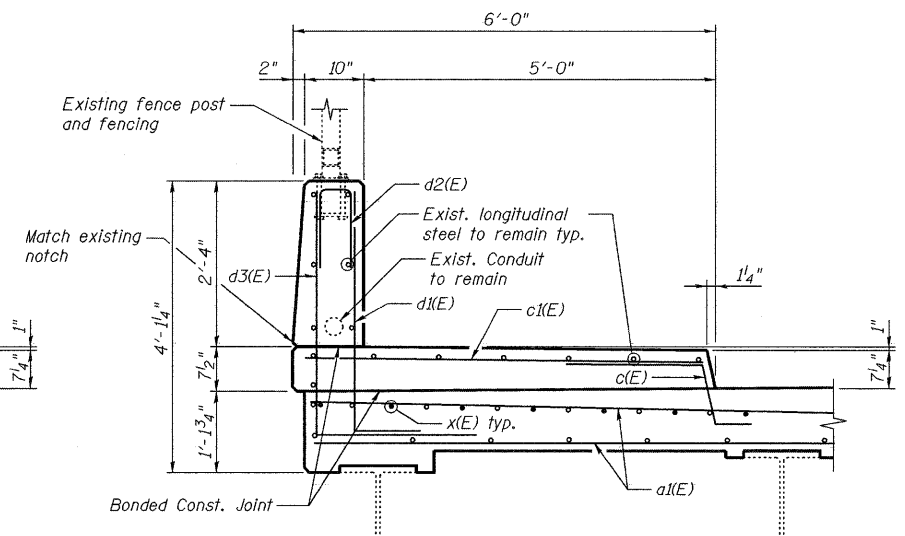
**EXISTING NORTH PARAPET & SIDEWALK SECTION**  
(Looking East)



**EXISTING SOUTH PARAPET & SIDEWALK SECTION**  
(Looking West)



**PROPOSED NORTH PARAPET & SIDEWALK SECTION**  
(Looking East)



**PROPOSED SOUTH PARAPET & SIDEWALK SECTION**  
(Looking West)

DESIGNED -	JLS
CHECKED -	KWS
DRAWN -	RMG
CHECKED -	KWS

**benesch**

alfred benesch & company  
Engineers • Surveyors • Planners  
205 North Michigan Avenue, Suite 2400  
Chicago, Illinois 60601  
312-565-0450 Job No. 10032.13

SHEET NO. 6 17 SHEETS	F.A.I. RTE.	SECTION	COUNTY	TOTAL SHEETS	SHEET NO.
	94	1010.1-1-2	COOK	37	18
FED. ROAD DIST. NO.			ILLINOIS FED. AID PROJECT		
CONTRACT NO. 60J30					