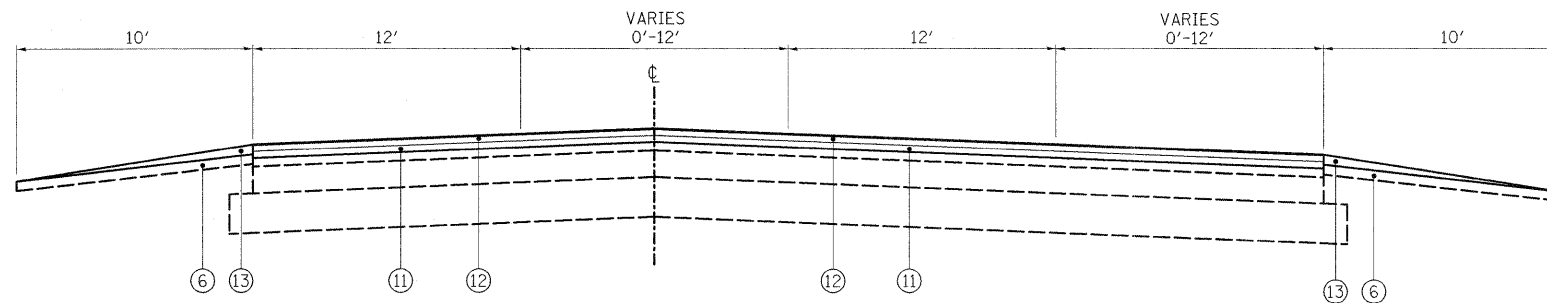


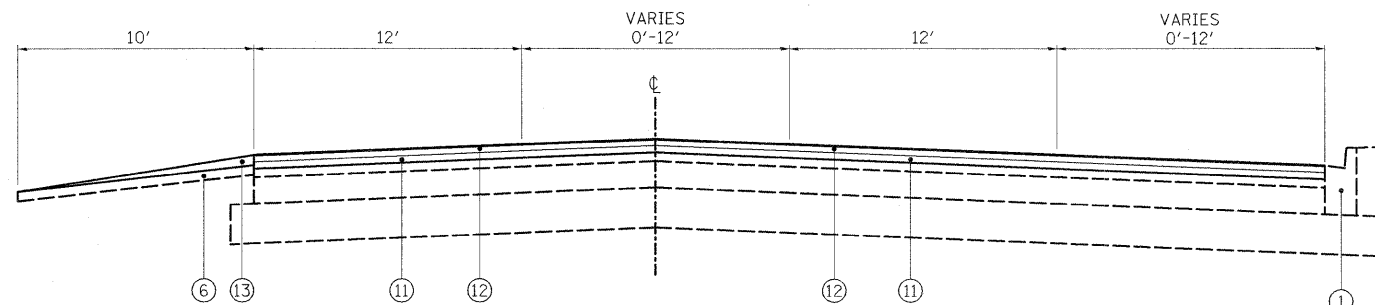
PROPOSED TYPICAL SECTION – IL 56

STA. 37+32 TO STA. 46+46
 STA. 60+14 TO STA. 72+22
 STA. 86+20 TO STA. 117+72
 STA. 136+37 TO STA. 145+12



PROPOSED TYPICAL SECTION – TURN LANE

STA. 46+46 TO STA. 51+06
 STA. 52+51 TO STA. 60+14
 STA. 72+22 TO STA. 76+28
 STA. 78+14 TO STA. 86+20
 STA. 117+72 TO STA. 129+34
 STA. 130+66 TO STA. 135+17
 STA. 145+12 TO STA. 151+41
 STA. 153+34 TO STA. 154+50



PROPOSED TYPICAL SECTION – TURN LANE

STA. 51+06 TO STA. 52+51
 STA. 76+28 TO STA. 78+14
 STA. 129+34 TO STA. 130+66
 STA. 135+17 TO STA. 136+37
 STA. 151+41 TO STA. 153+34

LEGEND

- ① EXISTING COMBINATION CURB AND GUTTER, TYPE B-6.24
- ② EXISTING COMBINATION CURB AND GUTTER, TYPE M-6.12
- ③ EXISTING AGGREGATE BASE COURSE
- ④ EXISTING PCC PAVEMENT, ±10"
- ⑤ EXISTING HOT-MIX ASPHALT PAVEMENT, ±4" (BEFORE SURFACE REMOVAL)
- ⑥ EXISTING AGGREGATE SHOULDER
- ⑦ EXISTING HOT-MIX ASPHALT SHOULDER, ±8" (BEFORE SURFACE REMOVAL)
- ⑧ EXISTING PCC MEDIAN
- ⑨ EXISTING CORRUGATED MEDIAN
- ⑩ HOT-MIX ASPHALT SURFACE REMOVAL, 2 1/4"
- ⑪ PROPOSED POLYMERIZED LEVELING BINDER (MACHINE METHOD), IL 4.75, N50, 3/4"
- ⑫ PROPOSED HOT-MIX ASPHALT SURFACE COURSE, "MIX D", N70, 1 1/2"
- ⑬ PROPOSED GRADING & SHAPING SHOULDERS/PROPOSED AGGREGATE WEDGE SHOULDER, TYPE B

NOTE: CONTRACTOR SHALL PATCH BEFORE MILLING.

HOT-MIX ASPHALT MIXTURE

MIXTURE	AIR VOIDS (%)
HOT-MIX ASPHALT SURFACE COURSE, MIX "D", N70 (IL 9.5 mm)	4% @ 70 GYR.
POLYMERIZED LEVELING BINDER (MACHINE METHOD), IL 4.75, N50	4% @ 50 GYR.
HOT-MIX ASPHALT REPLACEMENT OVER PATCHES (HMA BINDER, IL-19mm)	4% @ 70 GYR.
CLASS D PATCH/PARTIAL DEPTH PATCHING (HMA BINDER, IL-19 mm, N70)	4% @ 70 GYR.

THE UNIT WEIGHT USED TO CALCULATE ALL HOT-MIX ASPHALT SURFACE MIXTURES IS 112 LBS/SQ YD/IN.

THE "AC TYPE" FOR POLYMERIZED HMA MIXES SHALL BE "SBS/SBR PG 70-22" AND FOR NON-POLYMERIZED HMA THE "AC TYPE" SHALL BE "PG 64-22" UNLESS MODIFIED BY DISTRICT ONE SPECIAL PROVISIONS. FOR "PERCENT OF RAP" SEE DISTRICT ONE SPECIAL PROVISIONS.

PLOT DATE = 1/28/2010
 FILE NAME = K:\11225524\road\sheet\IL56 (general) Sections.dgn
 USER = jh
 MODEL = Proposed Typical Section



200 West Front Street
 Wheaton, IL 60187

DESIGNED -	REVISED -
DRAWN -	REVISED -
CHECKED -	REVISED -
DATE - 1/28/2010 5:12:39 PM	REVISED -

STATE OF ILLINOIS
 DEPARTMENT OF TRANSPORTATION

IL RTE 56 (BUTTERFIELD RD)

PROPOSED TYPICAL SECTIONS

F.A.P. RTE.	SECTION	COUNTY	TOTAL SHEETS	SHEET NO.
365	59 RS-3	DUPAGE	20	5
CONTRACT NO. 60J49				
FED. ROAD DIST. NO. 1 ILLINOIS FED. AID PROJECT				

SCALE: SHEET NO. 5 OF 20 SHEETS STA. TO STA.