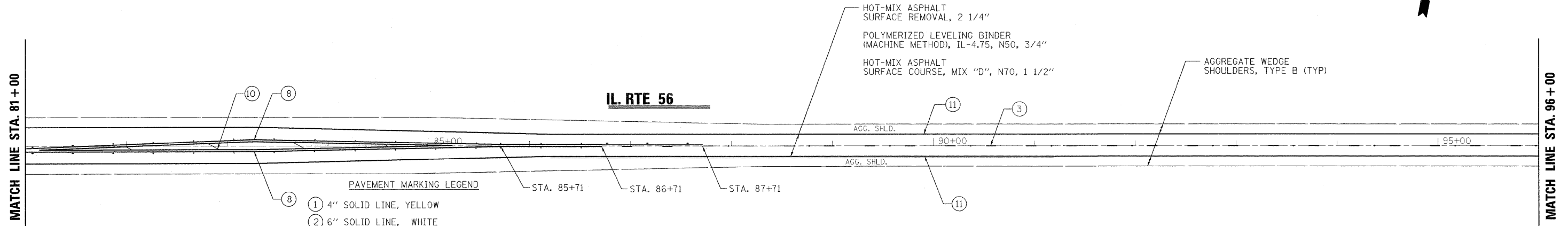


SYMBOLS LEGEND

- RAISED REFLECTIVE PAVEMENT MARKER (TWO - WAY AMBER)
- RAISED REFLECTIVE PAVEMENT MARKER (ONE - WAY AMBER)
- RAISED REFLECTIVE PAVEMENT MARKER (ONE - WAY CRYSTAL)



- PAVEMENT MARKING LEGEND**
- ① 4" SOLID LINE, YELLOW
 - ② 6" SOLID LINE, WHITE
 - ③ 4" LINE, YELLOW (30' SKIP, 10' DASH)
 - ④ 4" LINE, WHITE (30' SKIP, 10' DASH)
 - ⑤ 12" DIAGONAL LINES, 45 DEGREES, WHITE
 - ⑥ 24" SOLID LINE, WHITE
 - ⑦ LETTERS AND SYMBOLS, WHITE
 - ⑧ 4" DOUBLE CENTER LINE, YELLOW
 - ⑨ 8" SOLID LINE, WHITE
 - ⑩ 12" DIAGONAL LINES, 45 DEGREES @ 75' O.C., YELLOW
 - ⑪ 4" SOLID LINE, WHITE
- *ALL PAVEMENT MARKING SHALL BE THERMOPLASTIC

PLOT DATE = 2/15/2010
 PLOT SCALE = 1"=50'
 USER NAME = dchadler
 MODEL = Default

rjngroup
 Excellence through Ownership
 200 West Front Street
 Wheaton, IL 60187

DESIGNED - MAK	REVISED - 2/3/10 IDOT COMMENTS
DRAWN - DJW	REVISED - ---
CHECKED - MTH	REVISED - ---
DATE - 1/29/10	REVISED - ---

**STATE OF ILLINOIS
 DEPARTMENT OF TRANSPORTATION**

IL RTE 56 (BUTTERFIELD RD)
 SCALE: 1"=50'

**ROADWAY AND
 PAVEMENT MARKING PLAN**

F.A.P. RTE. 365	SECTION 59 RS-3	COUNTY DUPAGE	TOTAL SHEETS 20	SHEET NO. 7
CONTRACT NO. 60J49				
FED. ROAD DIST. NO. 1 ILLINOIS FED. AID PROJECT				

SHEET NO. 7 OF 20 SHEETS STA. 66+00 TO STA. 96+00