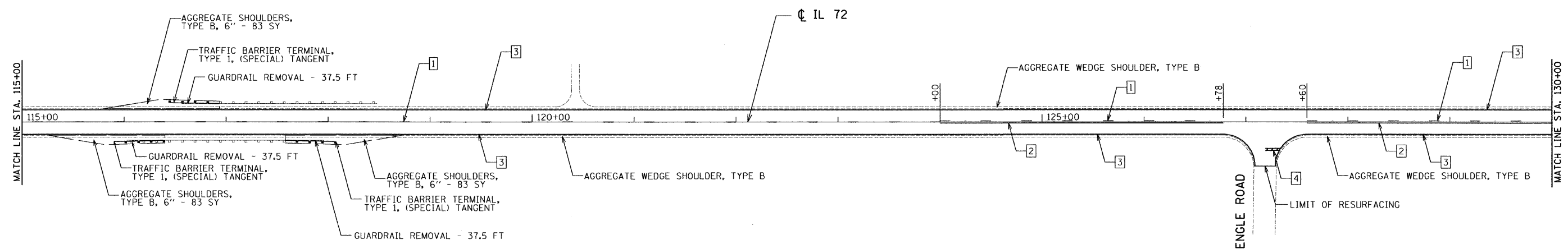


LEGEND

- 1 THERMOPLASTIC PAVEMENT MARKING - LINE 4" YELLOW 10' DASH, 30' SKIP W/ AMBER 2 WAY RPM'S (80' O.C.)
- 2 THERMOPLASTIC PAVEMENT MARKING - LINE 4" YELLOW
- 3 THERMOPLASTIC PAVEMENT MARKING - LINE 4" WHITE
- 4 THERMOPLASTIC PAVEMENT MARKING - LINE 24" WHITE



FILE NAME = #FILELS	USER NAME = .USER.	DESIGNED - MW	REVISED - RS 02-09-2010	STATE OF ILLINOIS DEPARTMENT OF TRANSPORTATION	IL 72 - DeKALB COUNTY LINE TO FRENCH ROAD ROADWAY AND PAVEMENT MARKING PLANS			F.A.P. RTE.	SECTION	COUNTY	TOTAL SHEETS	SHEET NO.
	PLOT SCALE = 50,0000 ' / IN.	DRAWN - EB	REVISED -					557	128 RS-7	KANE	15	5
	PLOT DATE = 2/9/2010	CHECKED - RS	REVISED -					CONTRACT NO. 60J56				
	DATE - 01/15/2010	REVISOR -	REVISED -					ILLINOIS FED. AID PROJECT				
				SCALE: 50			SHEET NO. 1 OF 4 SHEETS STA. 100+00 TO STA. 130+00					