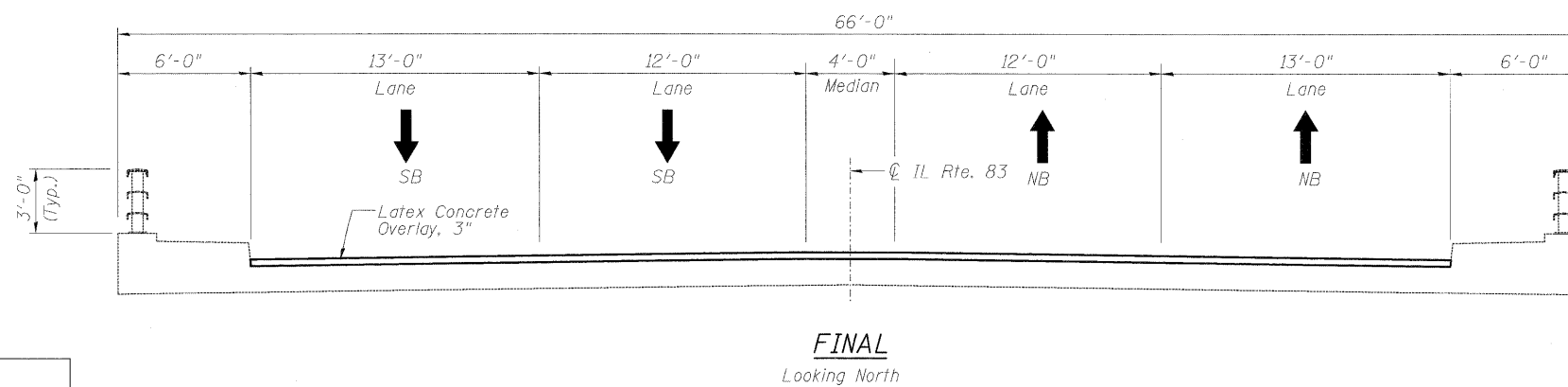
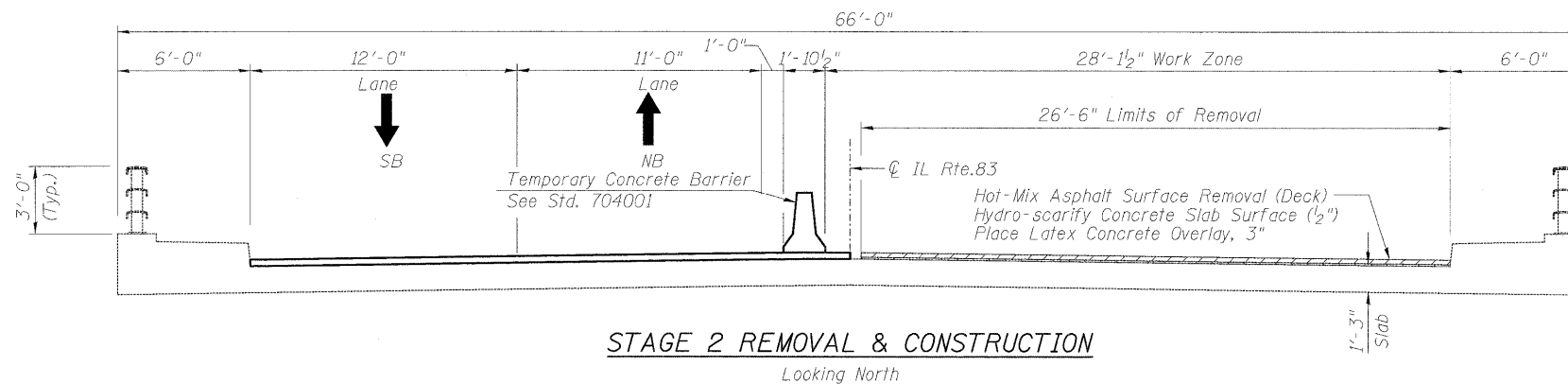
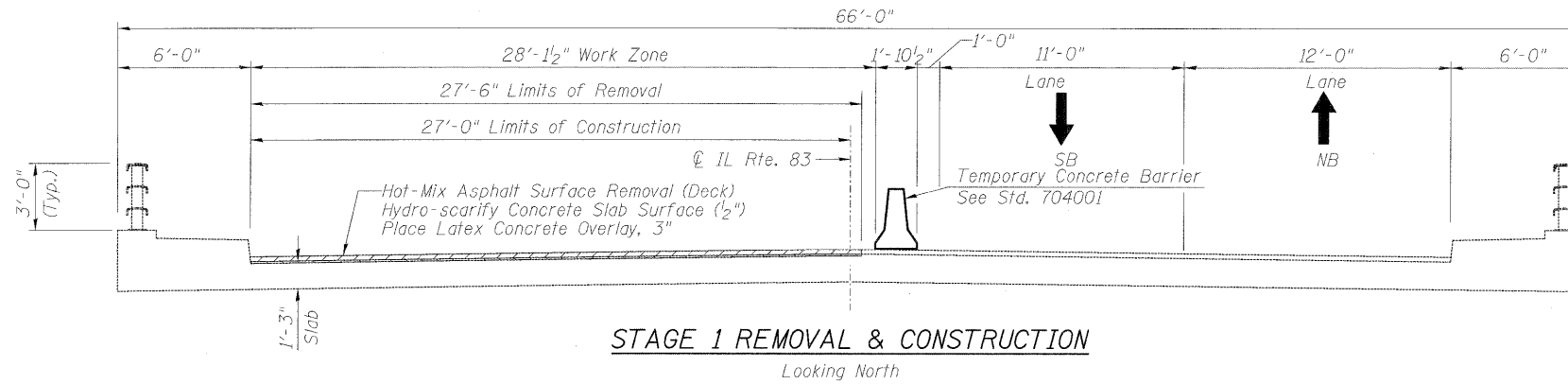
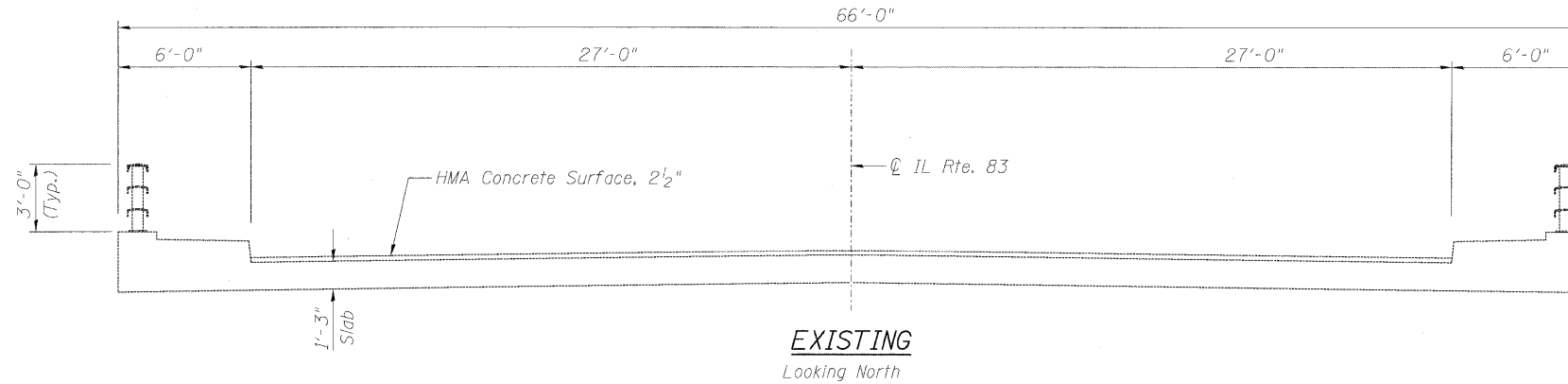


STATE OF ILLINOIS  
DEPARTMENT OF TRANSPORTATION



LEGEND:



Hot-Mix Asphalt Surface Removal



Bridge Deck Hydro-scarification 1/2"

STAGE CONSTRUCTION DETAILS  
STRUCTURE NO. 016-0558

DESIGNED	JPM
CHECKED	TG
DRAWN	MPS
CHECKED	JPM, TG



100 S. WACKER DRIVE, SUITE 700, CHICAGO, IL 60606 • P:312-686-8110 F:312-686-8415

SHEET NO. S2	F.A.P. RTE.	SECTION	COUNTY	TOTAL SHEETS	SHEET NO.
55 SHEETS	344	97 B-I-1	COOK	16	9
			CONTRACT NO. 60J60		
ILLINOIS FED. AID PROJECT					