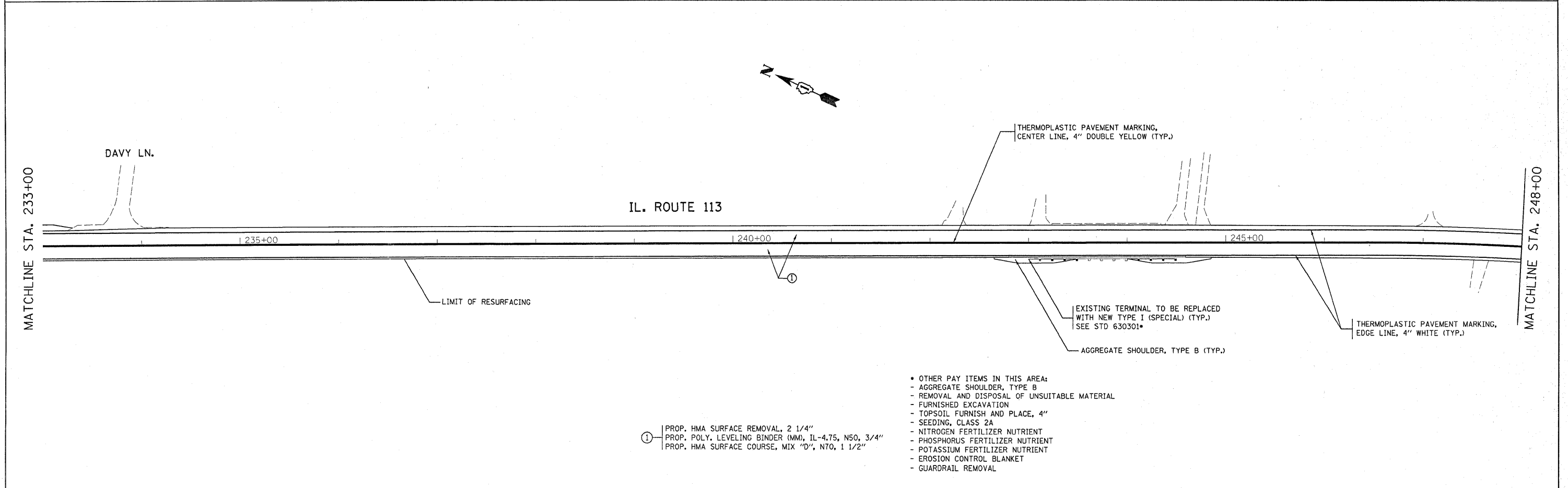


- OTHER PAY ITEMS IN THIS AREA:
- AGGREGATE SHOULDER, TYPE B (TYP.)
- REMOVAL AND DISPOSAL OF UNSUITABLE MATERIAL
- FURNISHED EXCAVATION
- TOPSOIL FURNISH AND PLACE, 4"
- SEEDING, CLASS 2A
- NITROGEN FERTILIZER NUTRIENT
- PHOSPHORUS FERTILIZER NUTRIENT
- POTASSIUM FERTILIZER NUTRIENT
- EROSION CONTROL BLANKET
- GUARDRAIL REMOVAL

- ① PROP. HMA SURFACE REMOVAL, 2 1/4"
- PROP. POLY. LEVELING BINDER (MM), IL-4.75, N50, 3/4"
- PROP. HMA SURFACE COURSE, MIX "D", N70, 1 1/2"



- OTHER PAY ITEMS IN THIS AREA:
- AGGREGATE SHOULDER, TYPE B
- REMOVAL AND DISPOSAL OF UNSUITABLE MATERIAL
- FURNISHED EXCAVATION
- TOPSOIL FURNISH AND PLACE, 4"
- SEEDING, CLASS 2A
- NITROGEN FERTILIZER NUTRIENT
- PHOSPHORUS FERTILIZER NUTRIENT
- POTASSIUM FERTILIZER NUTRIENT
- EROSION CONTROL BLANKET
- GUARDRAIL REMOVAL

- ① PROP. HMA SURFACE REMOVAL, 2 1/4"
- PROP. POLY. LEVELING BINDER (MM), IL-4.75, N50, 3/4"
- PROP. HMA SURFACE COURSE, MIX "D", N70, 1 1/2"

FILE NAME =	USER NAME = paraynoal	DESIGNED -	REVISED -	STATE OF ILLINOIS DEPARTMENT OF TRANSPORTATION	IL. RTE. 113 RIVER RD TO 0.2 MILES S. OF SMILEY RD	F.A.U. RTE.	SECTION	COUNTY	TOTAL SHEETS	SHEET NO.	
cr:\pwork\pwork\PARAYNOAL\d0175993\0125210-shr-plan.dgn		DRAWN -	REVISED -		SCALE:	SHEET NO. 2 OF 3 SHEETS	0327	43 RS-2	WILL	14	6
PLOT SCALE = 50.0000' / IN.		CHECKED -	REVISED -		STA.	TO STA.	CONTRACT NO. 60J62				
PLOT DATE = 2/5/2010		DATE -	REVISED -		ILLINOIS FED. AID PROJECT						