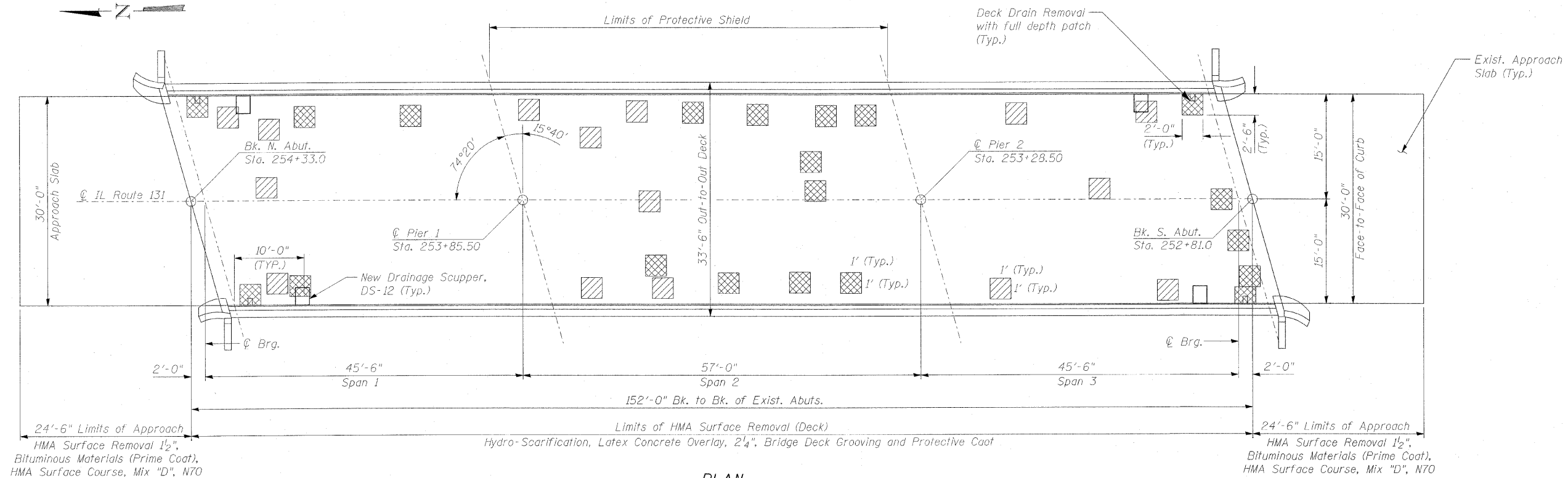


STATE OF ILLINOIS
DEPARTMENT OF TRANSPORTATION

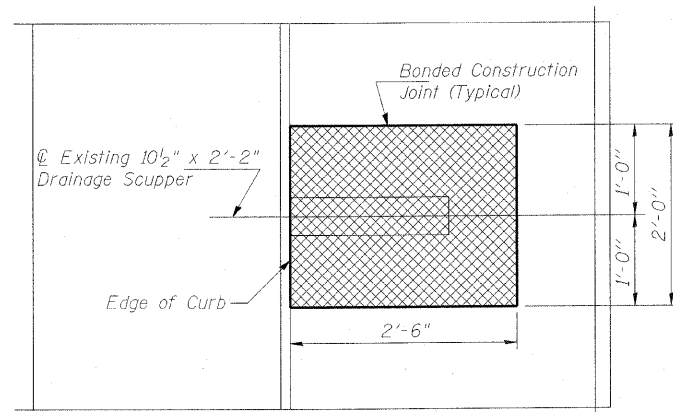


PLAN

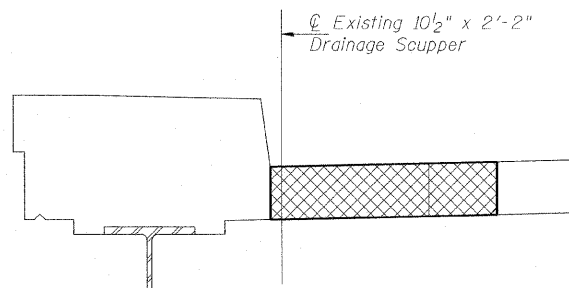
BILL OF MATERIAL

SYMBOL	ITEM	UNIT	QUANTITY
	Deck Slab Repair (Partial) Δ	Sq. Yd.	2
	Deck Slab Repair (Full Depth, Type I)	Sq. Yd.	4
	Protective Coat	Sq. Yd.	642
	Protective Shield	Sq. Yd.	212.2
	Bridge Deck Grooving	Sq. Yd.	472.9
	Bridge Deck Latex Concrete Overlay 2 1/4"	Sq. Yd.	506.7
	Bridge Deck Hydro-Scarification 1/2"	Sq. Yd.	506.7
	Hot-Mix Asphalt Surface Course, Mix "D", N70	Ton	14
	Hot-Mix Asphalt Surface Removal, 1 1/2"	Sq. Yd.	81.7
	Hot-Mix Asphalt Surface Removal (Deck)	Sq. Yd.	506.7
	Bituminous Materials (Prime Coat)	Gallon	16

Δ For information only to assist the contractor in bidding. See Special Provision for "Bridge Deck Latex Concrete Overlay."



PARTIAL PLAN AT DRAIN



SECTION AT DRAIN

Hatched areas indicate concrete sections to be removed and replaced. Perimeters of concrete removal areas shall be saw cut 3/4" prior to the removal of concrete.

Notes:
Deck repair areas are estimated based on visual inspection completed in October 2009. Actual repair areas and locations shall be determined by the engineer and shown on as-built plans.
Deck drain removal and disposal shall not be paid for separately, and shall be included in the pay item for Deck Slab Repair (Full Depth, Type I).
Protective coat shall be applied to the entire deck surface and the inside face of the parapets.

BRIDGE DECK AND
APPROACH SLAB REPAIRS
STRUCTURE NO. 049-0012

DESIGNED JWK	2010
CHECKED JMH	EXAMINED
DRAWN DR	PASSED
CHECKED JWK	

SHEET NO. S3 OF S15 SHEETS	F.A.U. RTE. 2711	SECTION K-VB-I	COUNTY LAKE	TOTAL SHEETS 21	SHEET NO. 6
	CONTRACT NO. 60J63				
ILLINOIS FED. AID PROJECT					