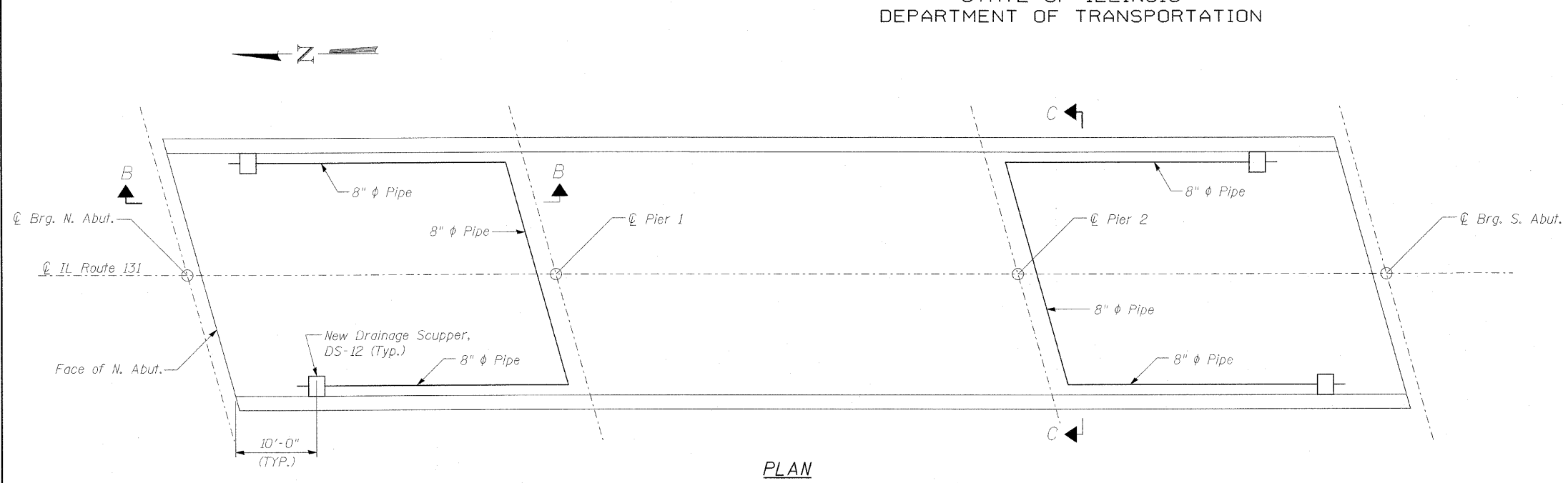
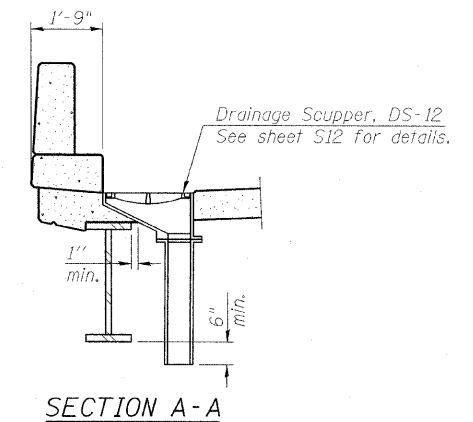


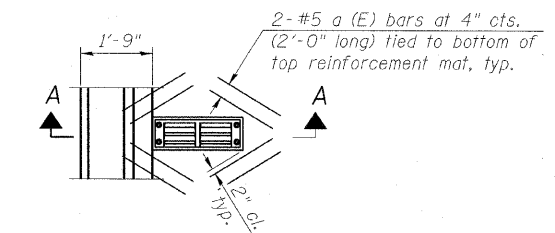
STATE OF ILLINOIS
DEPARTMENT OF TRANSPORTATION



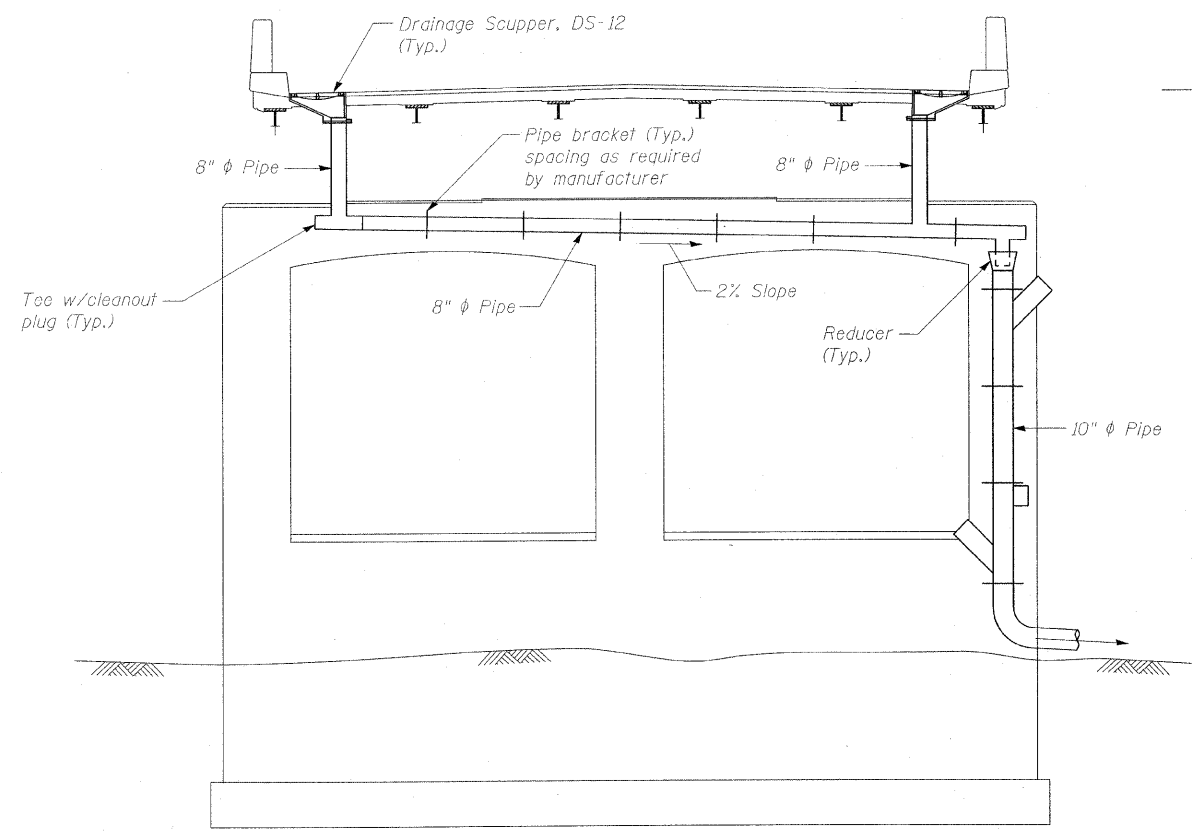
PLAN



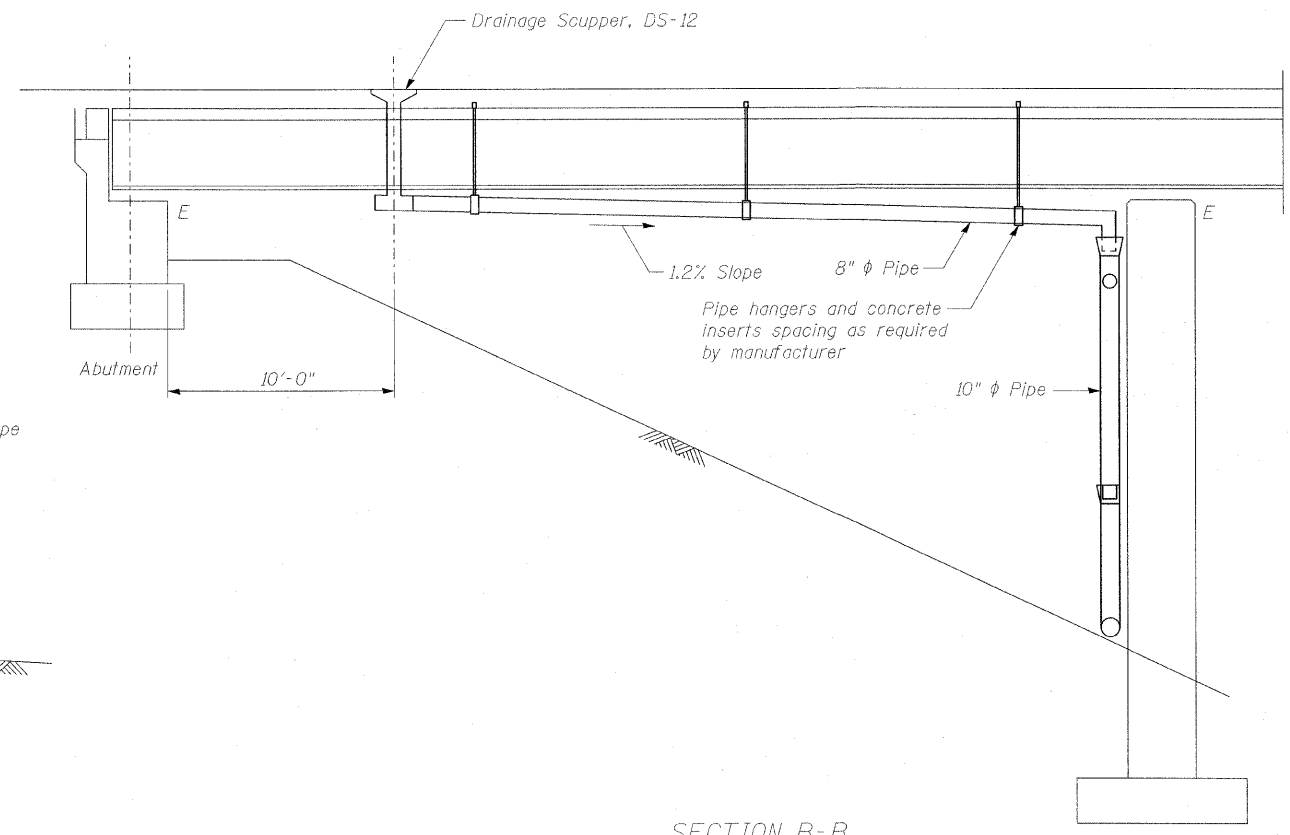
SECTION A-A



PLAN



SECTION C-C



SECTION B-B

Notes:
Reinforcement bars designated (E) shall be epoxy coated.
Cut longitudinal reinforcement to clear drainage scuppers.
Contractor shall verify configuration and direction of sloping drain pipe and outlet with Engineer (based on site conditions) prior to ordering materials.
Concrete removal required for the installation of the drainage scuppers shall be included in cost for Drainage Scuppers, DS-12.

BILL OF MATERIAL

ITEM	UNIT	QUANTITY
Drainage System	Lump Sum	1

DRAINAGE SYSTEM
STRUCTURE NO. 049-0012

DESIGNED JWK	2010
CHECKED JMH	EXAMINED
DRAWN DR	PASSED
CHECKED JWK	ENGINEER OF BRIDGES AND STRUCTURES

SHEET NO. S11 OF S15 SHEETS	F.A.U. RTE. 2711	SECTION K-VB-I	COUNTY LAKE	TOTAL SHEETS 21	SHEET NO. 14
	CONTRACT NO. 60J63				
ILLINOIS FED. AID PROJECT					