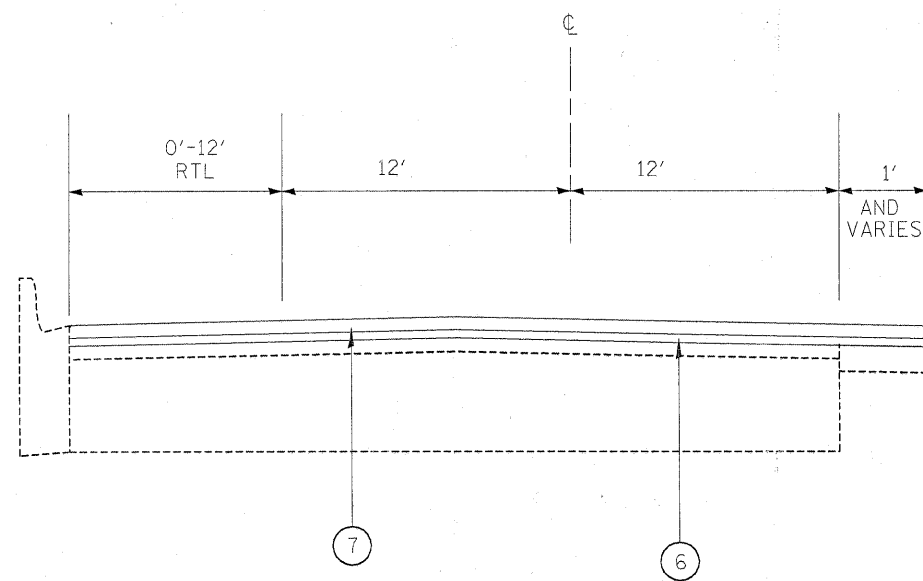


Vollmer Road
EXISTING TYPICAL SECTION
 STA. 47+24 TO STA. 49+57



Vollmer Road
PROPOSED TYPICAL SECTION
 STA. 47+24 TO STA. 49+57

LEGEND

- ① EXISTING P. C. C. PAVEMENT 10"
- ② EXISTING COMBINATION CONCRETE CURB AND GUTTER
- ③ EXISTING CORRUGATED MEDIAN TO BE MILLED FLUSH WITH ADJACENT ROADWAY (MEDIAN REMOVAL, PARTIAL DEPTH)
- ③A EXISTING HOT-MIX ASPHALT SHOULDER
- ④ EXISTING HOT-MIX ASPHALT SURFACE, 3" (±)
- ④A EXISTING AGGREGATE SHOULDER
- ⑤ PROPOSED HOT MIX ASPHALT SURFACE REMOVAL 2 1/4 "
- ⑥ PROPOSED POLYMERIZED LEVELING BINDER (MACHINE METHOD), IL-4.75, N50, 3/4"
- ⑦ PROPOSED HOT-MIX ASPHALT SURFACE COURSE, MIX "D", N70, 1 1/2"
- ⑧ PROPOSED P. C. C. SURFACE REMOVAL (VARIABLE DEPTH)
- ⑨ PROPOSED AGG. WEDGE SHOULDER TYPE, B
- ⑩ GRADING AND SHAPING SHOULDERS

FILE NAME =	USER NAME = banks1	DESIGNED -	REVISED -	STATE OF ILLINOIS DEPARTMENT OF TRANSPORTATION	VOLLMER ROAD - ILL 1 (HALSTED STREET TO HOLBROOK ROAD) TYPICAL SECTIONS	F.A.U. RTE.	SECTION	COUNTY	TOTAL SHEETS	SHEET NO.	
c:\pw_work\pwidot\banks1\d017634\012731	sh-t-plan.dgn	DRAWN -	REVISED -			3603	2009-125 RS	COOK	23	7	
PLOT SCALE = 50.0000' / IN.	CHECKED -	REVISED -	SCALE: NONE			SHEET NO. OF SHEETS	STA. TO STA.	CONTRACT NO. 60J83			
PLOT DATE = 2/4/2010	DATE -	REVISED -	ILLINOIS FED. AID PROJECT								