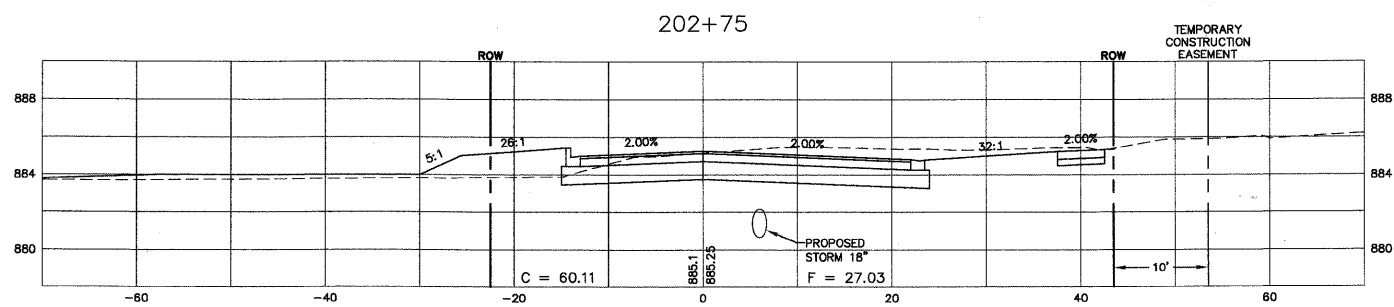
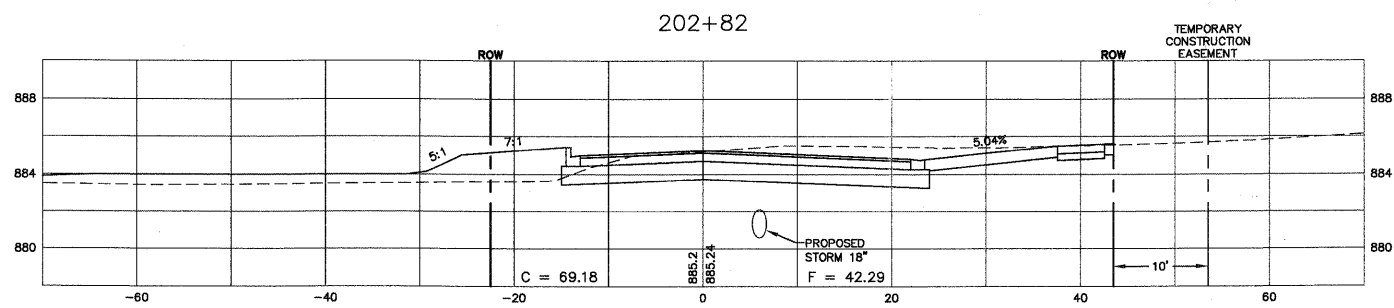
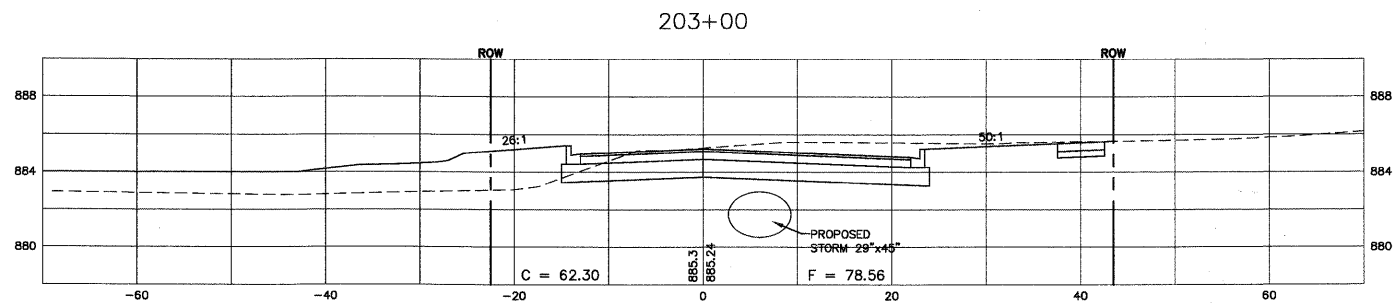
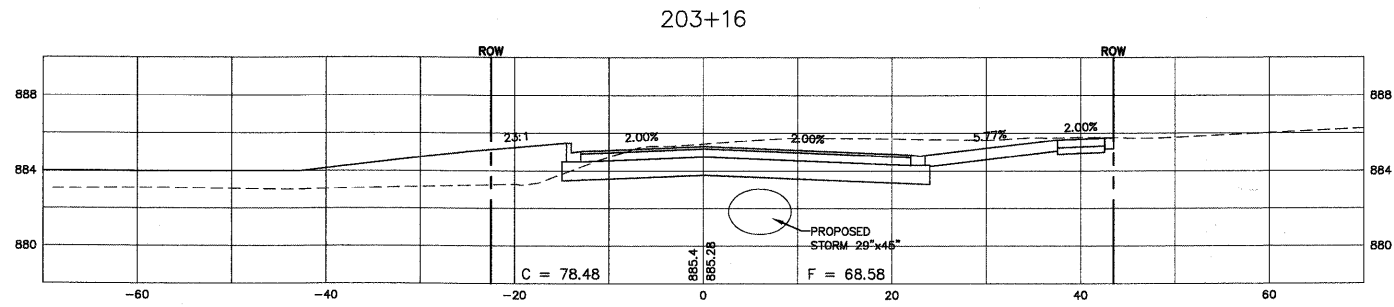


Plotted: February 1, 2010 @ 3:21 PM By: Kris Pump - Tab: 83-KEYS (23x34)



SCALE:
 HORZ. 1" = 10'
 VERT. 1" = 5'

COPYRIGHT © 2010 ENGINEERING ENTERPRISES, INC.

FILE NAME	USER NAME = #USER#	DESIGNED - JAM, SWM	REVISED - 12/02/09
#FILE#		DRAWN - KKP	REVISED - 01/22/10
	PLOT SCALE = #SCALE#	CHECKED - JAM	REVISED - 02/03/10
	PLOT DATE = #DATE#	DATE - 10/16/09	REVISED -

STATE OF ILLINOIS
DEPARTMENT OF TRANSPORTATION

KEYES AVENUE - CROSS SECTIONS	
PROJECT NO. HPP-1468(004)	JOB NO. C-91-175-06
SCALE: N/A	SHEET NO. 78 OF 92 SHEETS
STA. N/A	TO STA. N/A

F.A. RTE.	SECTION	COUNTY	TOTAL SHEETS	SHEET NO.
N/A	06-00015-00-PV	KANE	97	83
FED. ROAD DIST. NO. - ILLINOIS FED. AID PROJECT			CONTRACT NO. 63406	

Path: \\S056PROV\FAC056\DWG\FAC056-SECTION