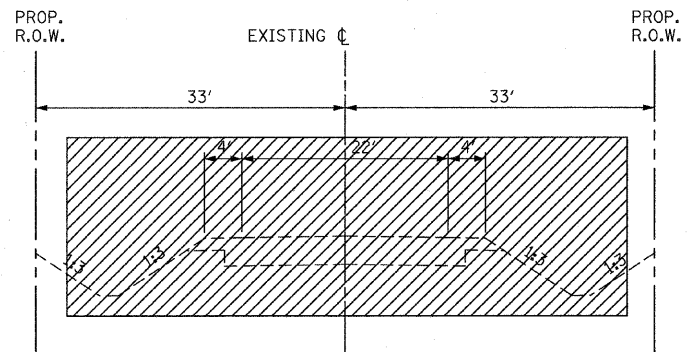
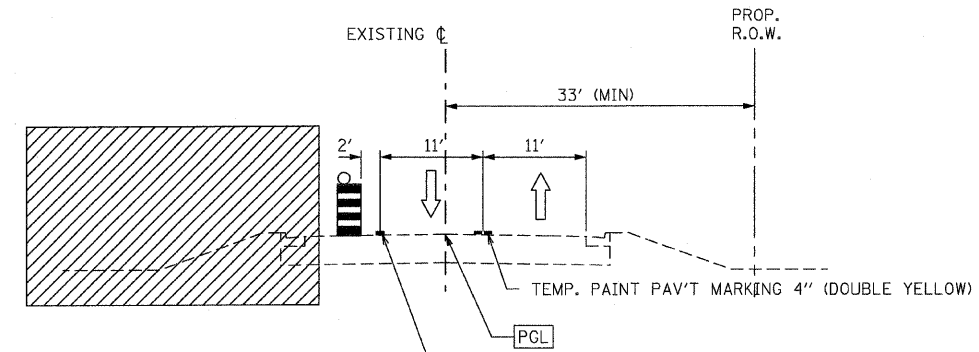


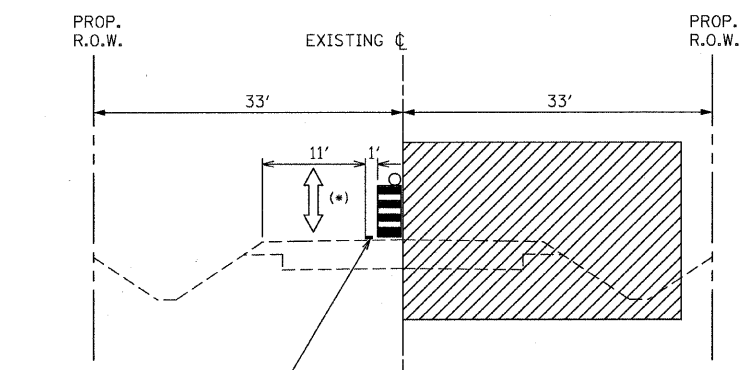
F.A.P. RTE.	SECTION	COUNTY	TOTAL SHEETS	SHEET NO.
301	177-2 (-1A, B-1, VB-1)	STEPHENSON	386	87
STA.		TO STA.		
FED. ROAD DIST. NO.	ILLINOIS	FED. AID PROJECT		
P-92-029-02		STG-02 OF 23		
CONTRACT# 64799				



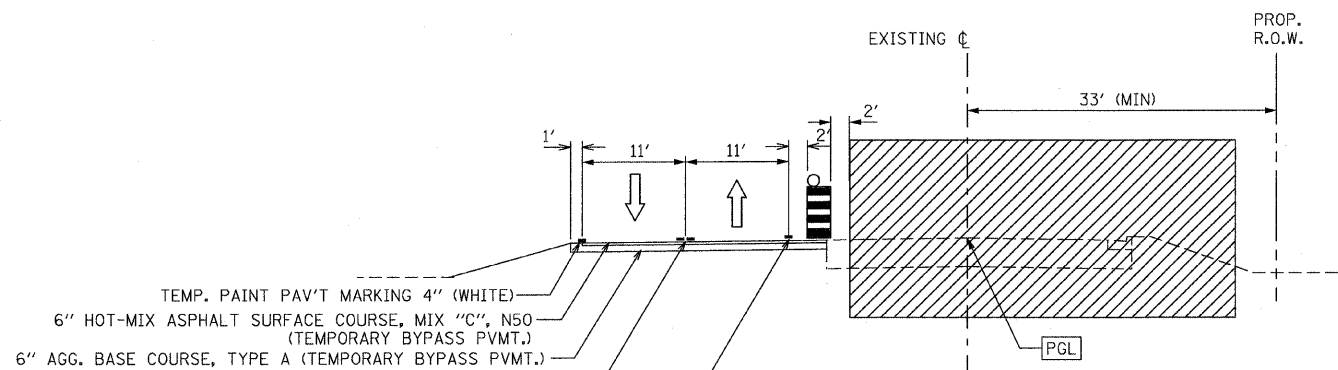
FRONTAGE ROAD  
STAGE I  
98+50 TO 173+50



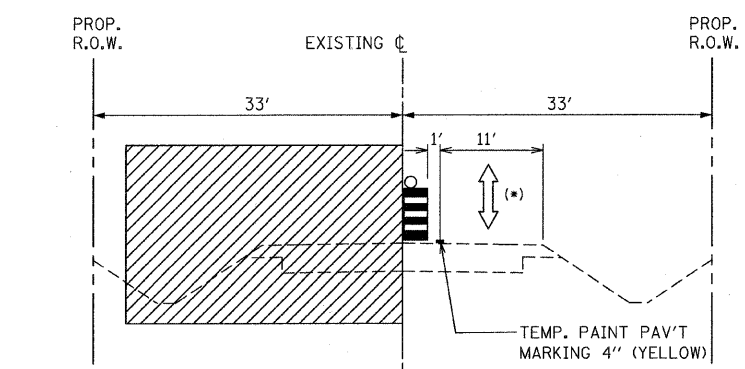
FRONTAGE ROAD  
STAGE IIA  
173+50 TO 182+00



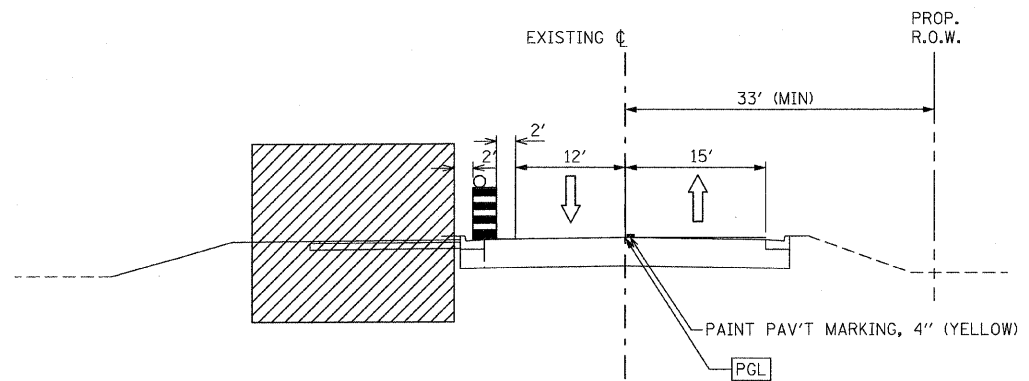
FRONTAGE ROAD  
STAGE IIA  
95+50 TO 99+00



FRONTAGE ROAD  
STAGE IIB  
173+50 TO 182+00



FRONTAGE ROAD  
STAGE IIB  
95+50 TO 99+00



FRONTAGE ROAD  
STAGE IIC  
173+50 TO 182+00

TEMP. PAINT PAV'T MARKING 4" (WHITE)  
6" HOT-MIX ASPHALT SURFACE COURSE, MIX "C", N50  
(TEMPORARY BYPASS PVMT.)  
6" AGG. BASE COURSE, TYPE A (TEMPORARY BYPASS PVMT.)  
TEMP PAINT PAV'T MARKING 4" (DOUBLE YELLOW)  
TEMP. PAINT PAV'T MARKING 4" (WHITE)

**LEGEND**

	DRUM WITH STEADY BURNING MONO DIRECTION LIGHT AT 50' C-C
	WORK ZONE
	DIRECTION OF TRAFFIC

(\*) ONE LANE SHALL REMAIN OPEN DURING STAGE IIA AND IIB USING FLAGGERS TO MAINTAIN TRAFFIC AS SHOWN.

REVISIONS	
NAME	DATE

ILLINOIS DEPARTMENT OF TRANSPORTATION  
F.A.P. ROUTE 301 (US RTE. 20)  
FROM BOLTON ROAD TO WEST OF IL RTE. 26  
**SUGGESTED TRAFFIC CONTROL AND STAGING NOTES AND DETAILS**  
SCALE: N.T.S. DRAWN BY RMH  
DATE: 01-22-10 CHECKED BY DVS

