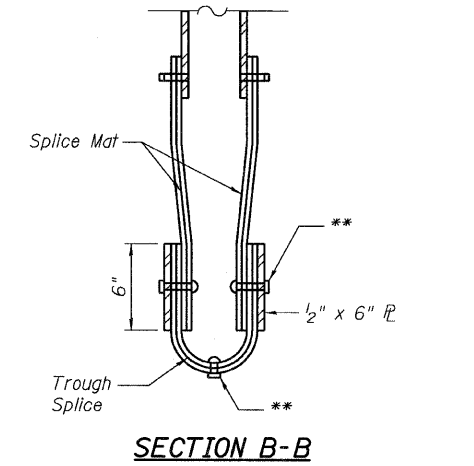
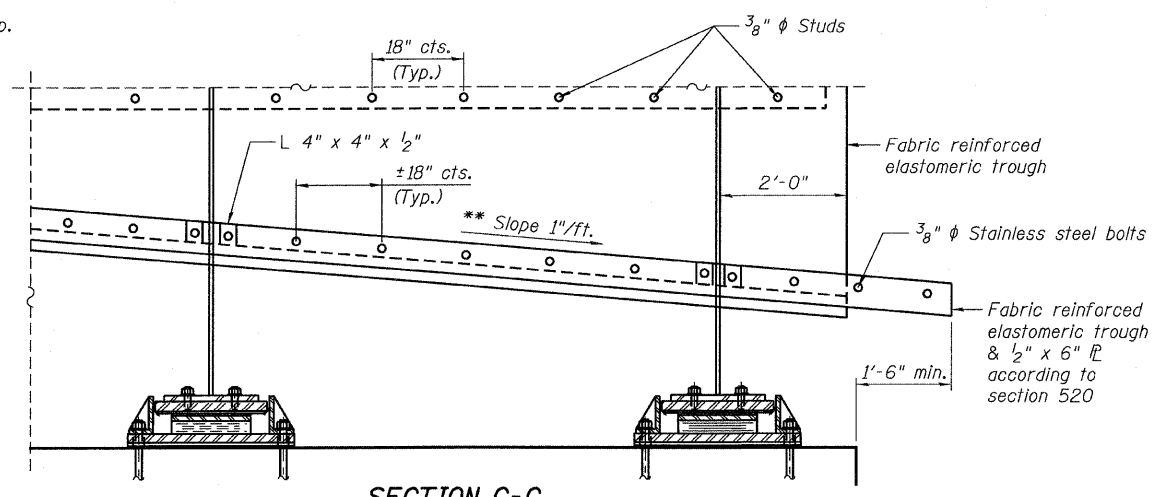
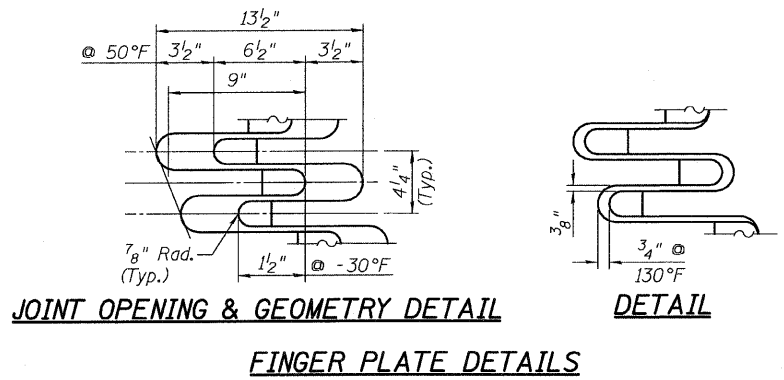
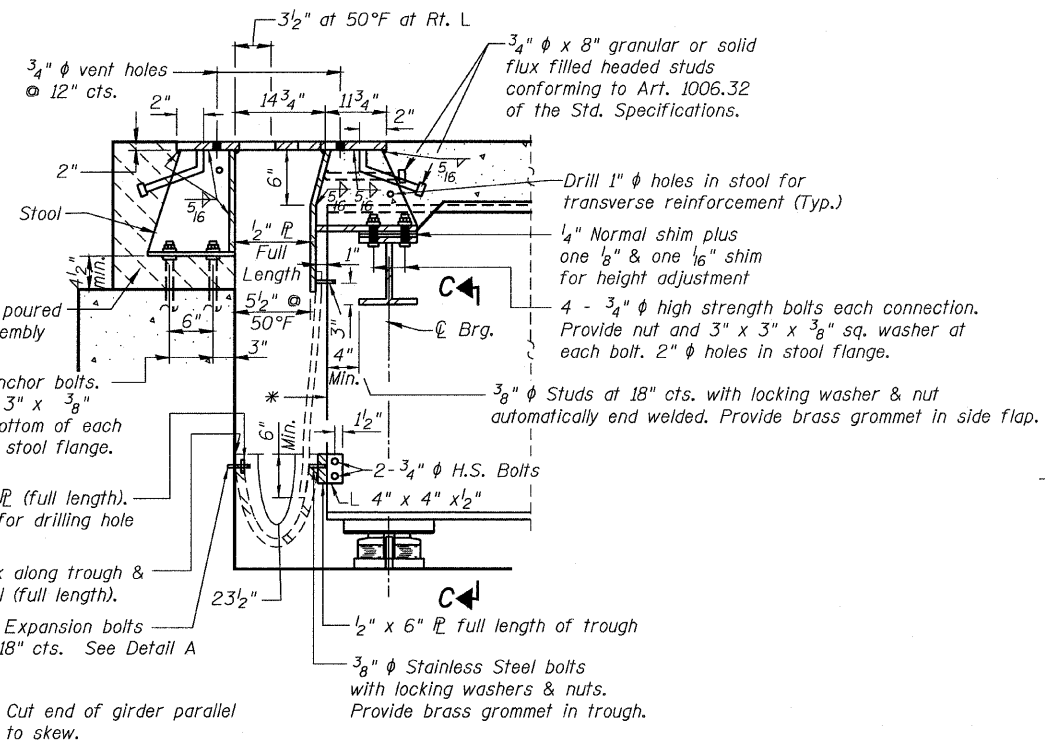
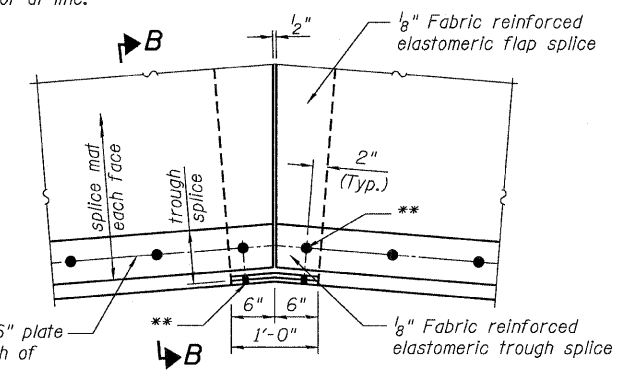
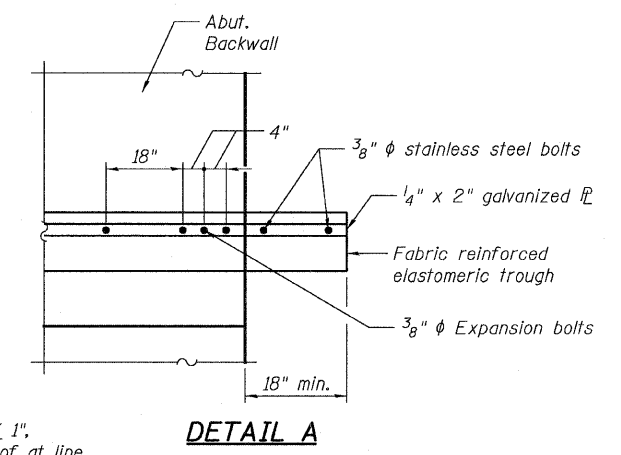
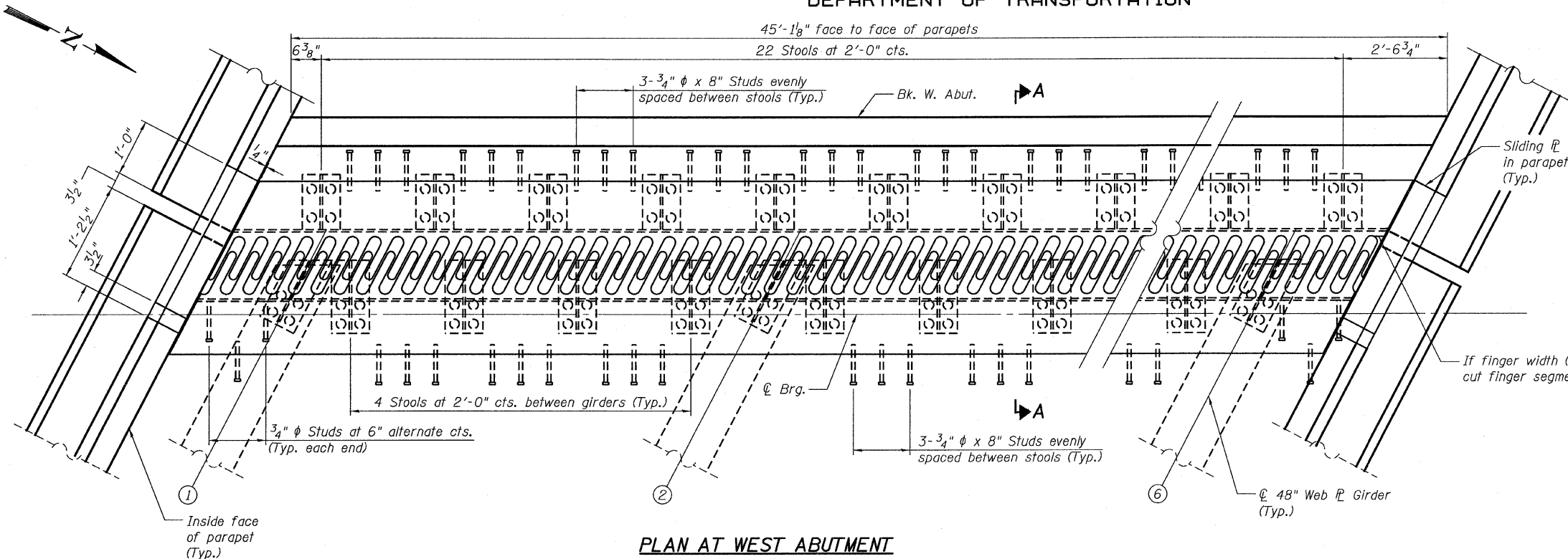


STATE OF ILLINOIS  
DEPARTMENT OF TRANSPORTATION

ROUTE NO.	SECTION	COUNTY	SHEET NO.	SHEET	SHEET NO. 18
FAP 301	177-2	STEPHENSON	386	158	47 SHEETS
FED. ROAD DIST. NO. 7	ILLINOIS	FED. AID PROJECT-			

Contract No. 64799



DESIGNED	S.CHELBIAN
CHECKED	J.BRISBOIS
DRAWN	S.CHELBIAN
CHECKED	J.GRAINAWI

- Notes:
- All structural steel used for finger plates, stools, and troughs shall be AASHTO M270, Gr. 50.
  - Finger plate expansion joints shall be assembled in their relative final position with the ends in place for shop inspection and acceptance.

EXPANSION JOINT AT  
WEST ABUTMENT (DETAILS 1)  
F.A.P. ROUTE 301 SECTION 177-2B-1  
STEPHENSON COUNTY  
STATION 540+65.71  
STRUCTURE NO. 089-0082



T:\16814A\Struct\Cadd\Prefinal\US20 Bridge 089-0082 (Pecatonica River Bridge)\000000-64799-000-018.dgn 25-JAN-2010 13:47