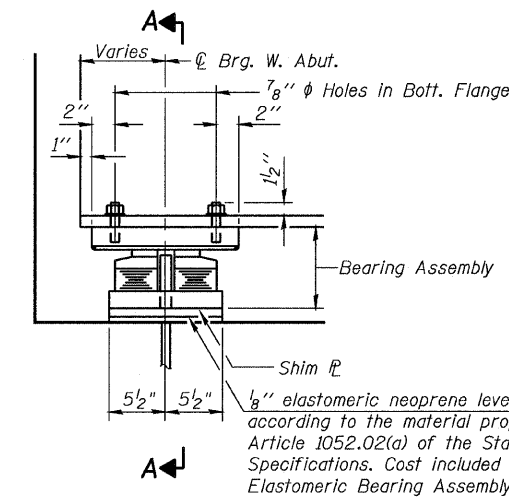


STATE OF ILLINOIS
DEPARTMENT OF TRANSPORTATION

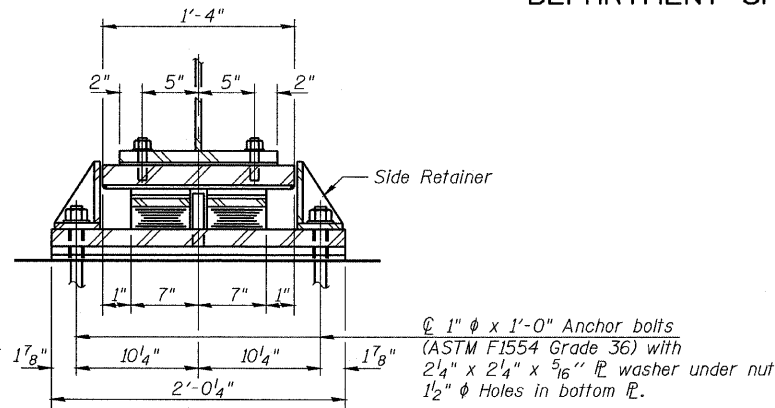
ROUTE NO.	SECTION	COUNTY	TOTAL SHEETS	SHEET NO.
FAP 301	177-2	STEPHENSON	386	169
FED. ROAD DIST. NO. 7	ILLINOIS	FED. AID PROJECT-		

SHEET NO. 29
47 SHEETS
Contract No. 64799

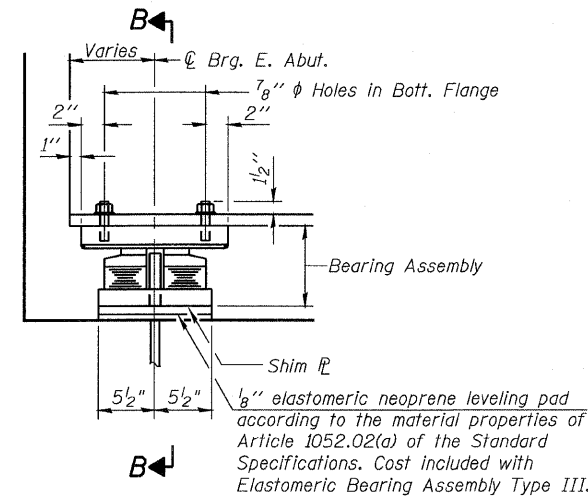


ELEVATION AT W. ABUT.

TYPE III ELASTOMERIC EXP. BRG. WEST ABUTMENT

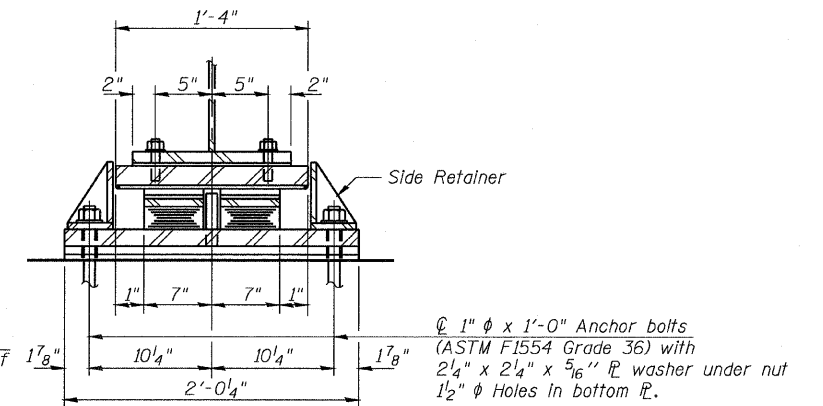


SECTION A-A

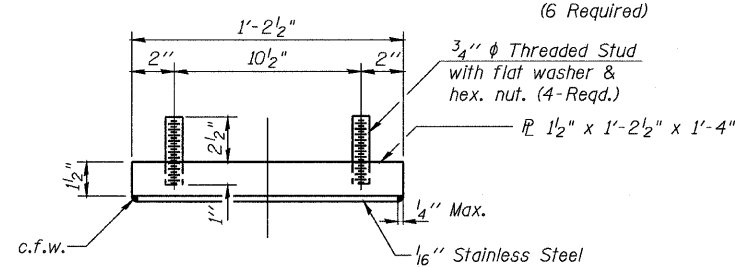


ELEVATION AT E. ABUT.

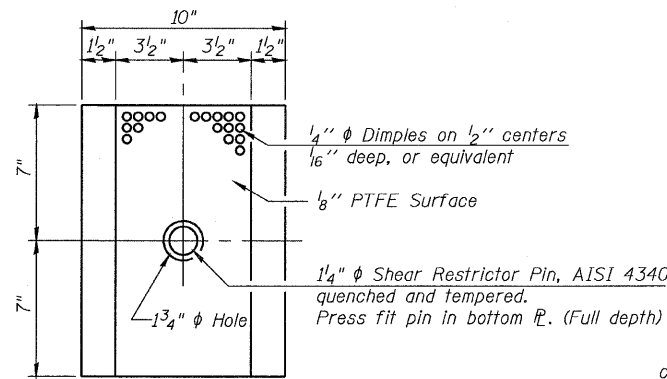
TYPE III ELASTOMERIC EXP. BRG. EAST ABUTMENT



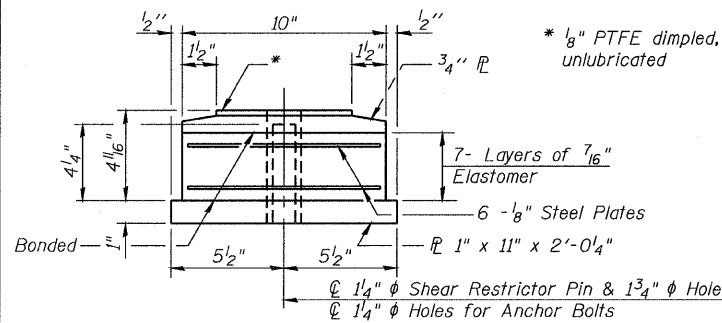
SECTION B-B



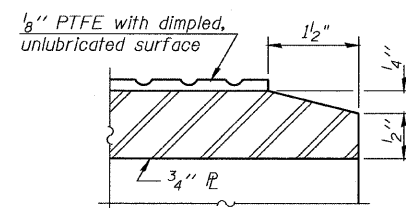
TOP BEARING ASSEMBLY



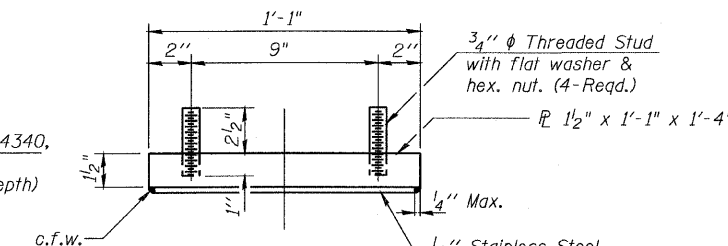
PLAN-PTFE ELASTOMERIC BRG.



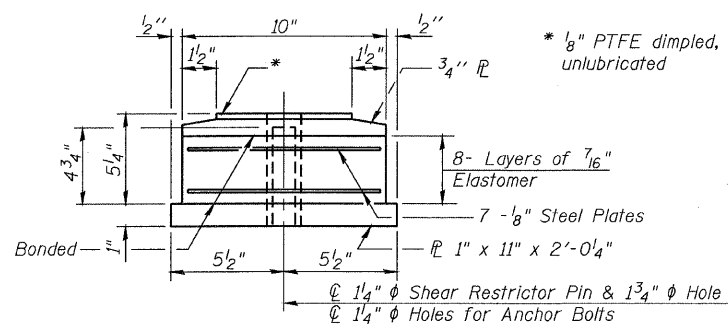
BOTTOM BEARING ASSEMBLY



SECTION THRU PTFE



TOP BEARING ASSEMBLY



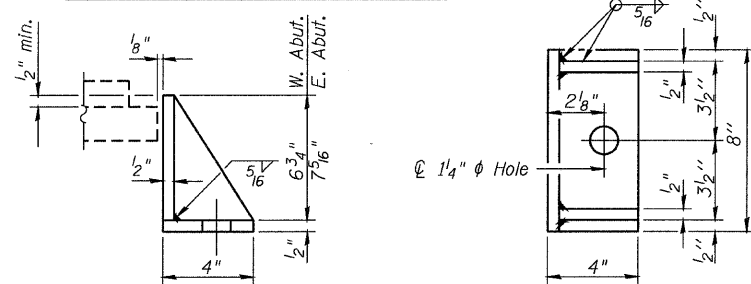
BOTTOM BEARING ASSEMBLY

Notes:

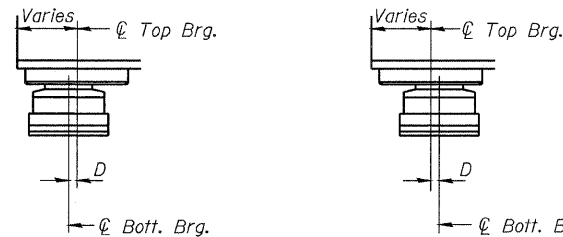
- Anchor bolts shall be ASTM F1554 all-thread (or an Engineer-approved alternate material) of the grade(s) and diameter(s) specified. ASTM A307 Grade C anchor bolts may be used in lieu of ASTM F1554 Grade 36 (Fy=36ksi). The corresponding specified grade of AASHTO M314 anchor bolts may be used in lieu of ASTM F1554.
- Anchor bolts for Type III bearings shall be placed in holes drilled through the bottom bearing plate after members are in place. Side retainers shall be placed after bolts are installed.
- Drilled and set anchor bolts shall be installed according to Article 521.06 of the Standard Specifications.
- Side retainers and other steel members required for the bearing assembly shall be included in the cost of Elastomeric Bearing Assembly, Type III.
- The 1/8" PTFE sheet shall be bonded directly to the top steel plate with a two-component, medium viscosity epoxy resin, conforming to the requirements of the Federal Specification MMM-A-134, Type I. The bond agent shall be applied on the full area of the contact surfaces.
- Bonding of 1/8" PTFE sheet during vulcanizing process will be permitted provided the process and method of adjusting assembly height is approved by the Engineer.
- Two 1/8 in. adjusting shims shall be provided for each bearing in addition to all other plates or shims and placed as shown on bearing details.

BILL OF MATERIAL

Item	Unit	Total
Elastomeric Bearing Assembly Type III	Each	12
Anchor Bolts 1" \varnothing	Each	24



SIDE RETAINER



BELOW 50° F.

(Move bott. brg. away from fixed brg.)

ABOVE 50° F.

(Move bott. brg. toward fixed brg.)

SETTING ANCHOR BOLTS AT EXP. BRG.

D=1/8" per each 100' of expansion for every 15° temp. change from the normal temp. of 50° F.

DESIGNED	S.CHELBIAN
CHECKED	J.BRISBOIS
DRAWN	D.C.PATEL
CHECKED	J.GRAINAWI

ELASTOMERIC BEARING
ASSEMBLY TYPE III
F.A.P. ROUTE 301 SECTION 177-2B-1
STEPHENSON COUNTY
STATION 540+65.71
STRUCTURE NO. 089-0082

