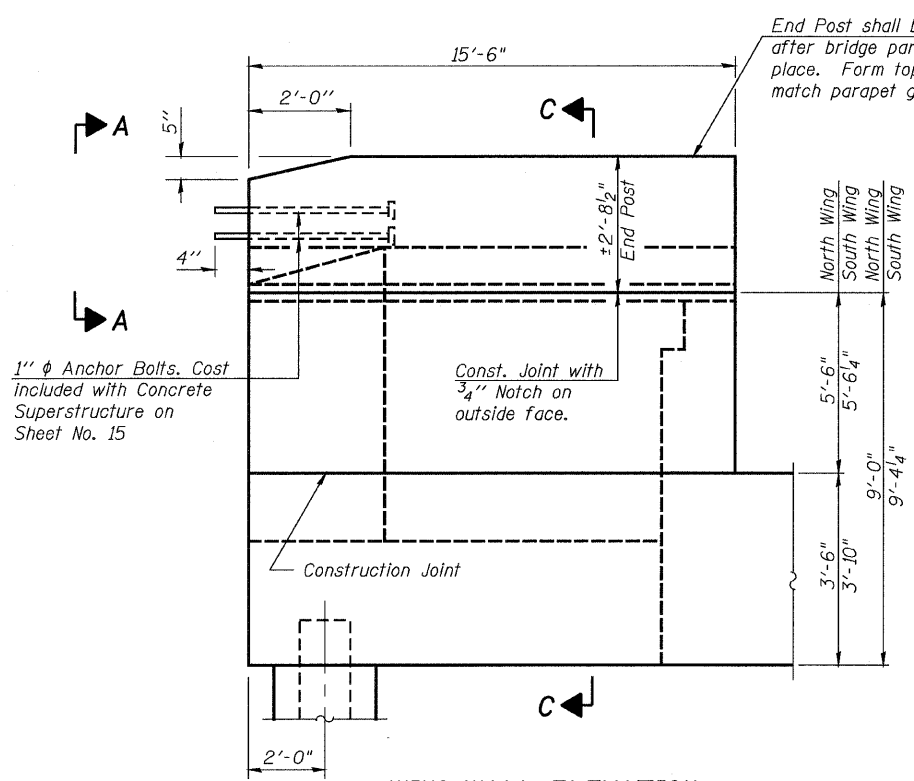


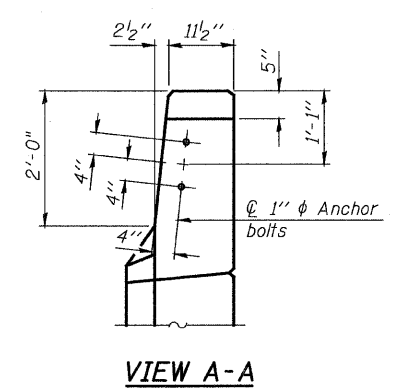
STATE OF ILLINOIS
DEPARTMENT OF TRANSPORTATION

ROUTE NO.	SECTION	COUNTY	TOTAL SHEETS	SHEET NO.
FAP 301	177-2	STEPHENSON	386	171
ILLINOIS FED. AID PROJECT				

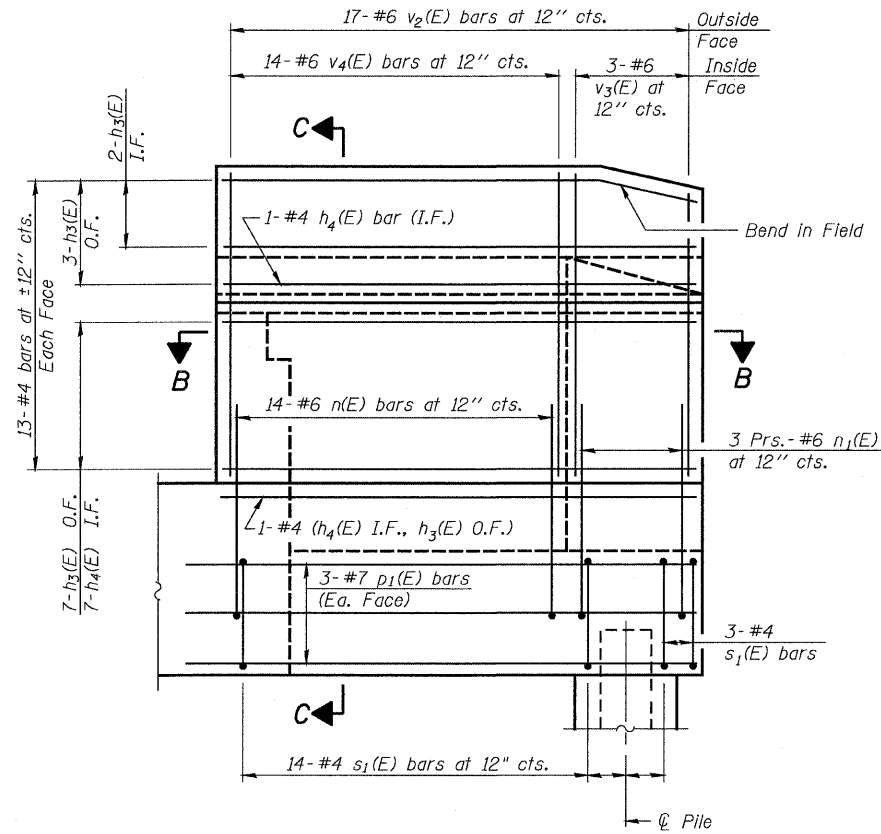
SHEET NO. 31
47 SHEETS
Contract No. 64799



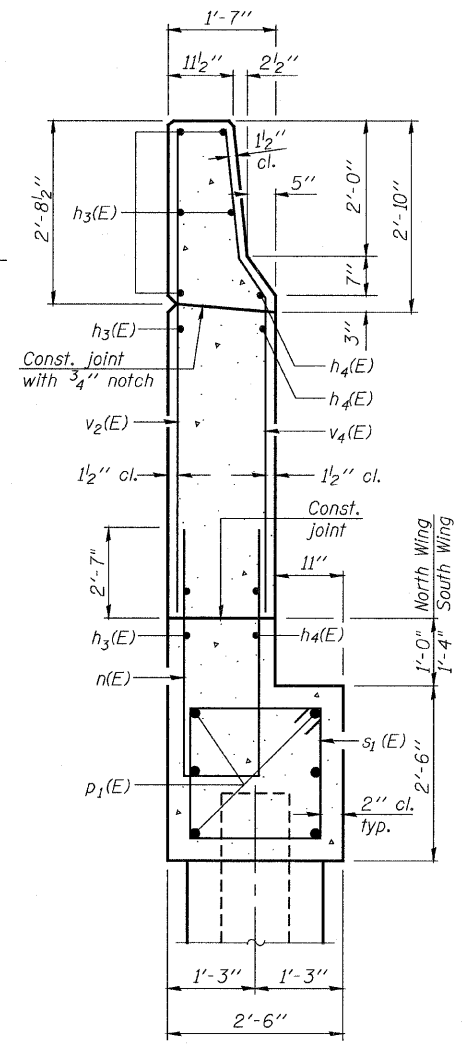
WING WALL ELEVATION
Showing Dimensions



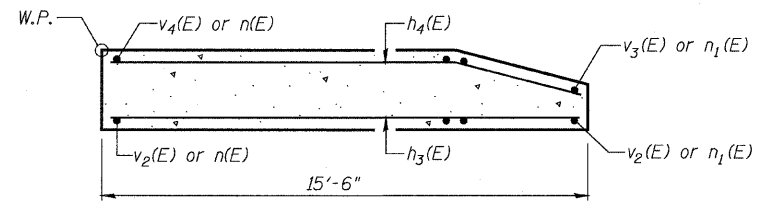
VIEW A-A



WING WALL ELEVATION
Showing Reinforcement

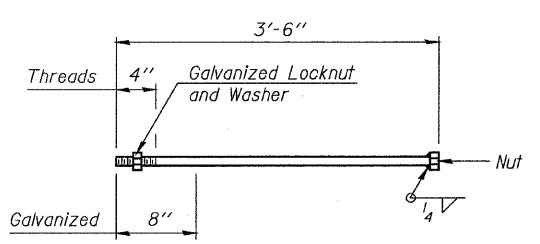


SECTION C-C

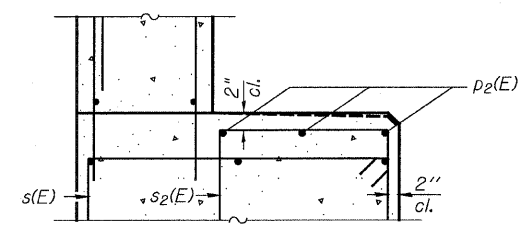


SECTION B-B

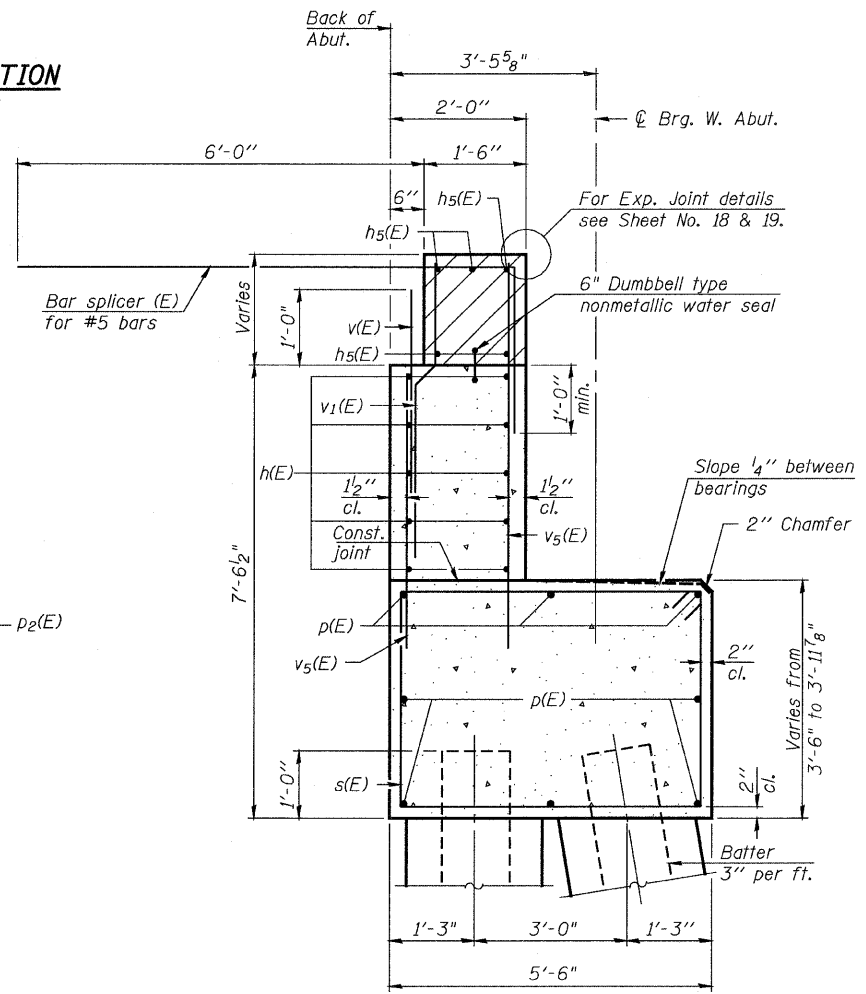
- Notes:
- Hatched area to be poured after superstructure false work has been removed. Quantity of concrete included with Concrete Superstructure.
 - Space reinforcement in cap to miss anchor bolts.
 - Pour steps monolithically with cap.
 - Quantity of concrete in end post included with Concrete Superstructure on Sheet No. 15.
 - For Concrete Encasement details, see Sheet No. 41.



1" diameter ANCHOR BOLT



SECTION D-D



SECTION THRU WEST ABUTMENT

DESIGNED	S.CHELBIAN
CHECKED	R.TINGLEY
DRAWN	S.CHELBIAN
CHECKED	J.GRAINAWI



WEST ABUTMENT DETAILS
F.A.P. ROUTE 301 SECTION 177-2B-1
STEPHENSON COUNTY
STATION 540+65.71
STRUCTURE NO. 089-0082

T:\16814A\Struct\Cadd\Prefinal\US20 Bridge 089-0082 (Pecatonica River Bridge)\000000-64799-000-000-031.dgn
25-JAN-2010 13:47