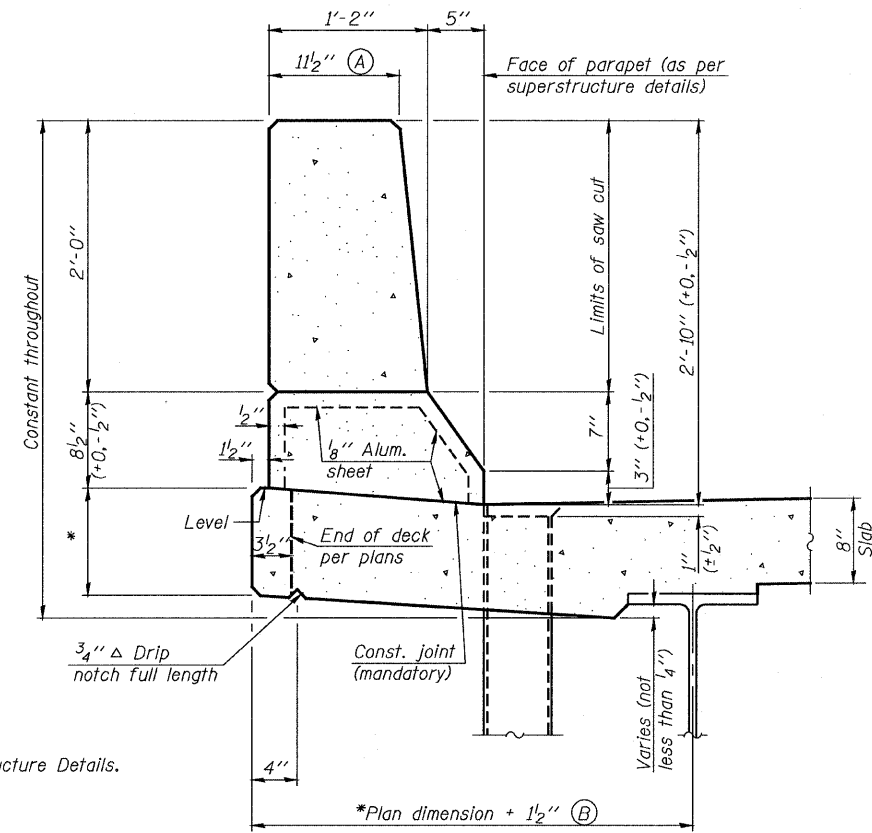


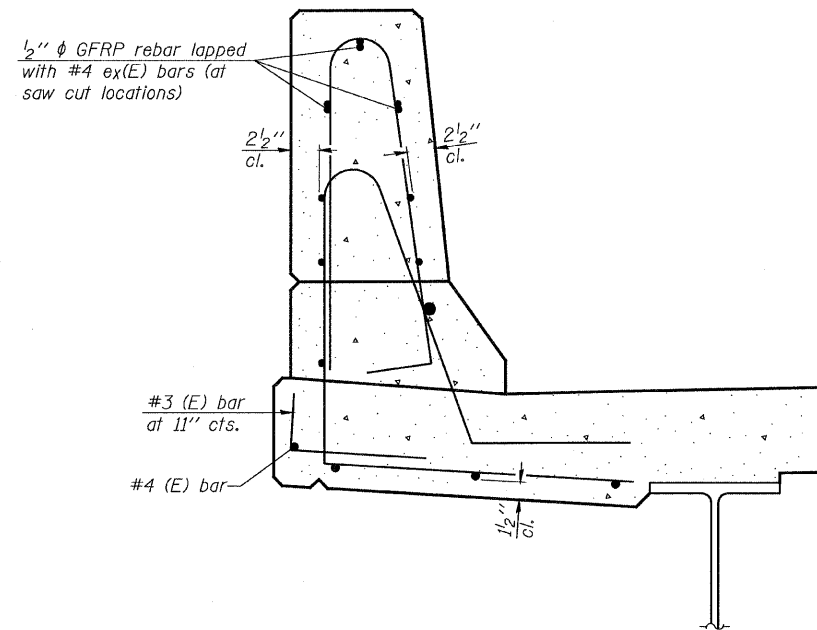
STATE OF ILLINOIS
DEPARTMENT OF TRANSPORTATION

ROUTE NO.	SECTION	COUNTY	TOTAL SHEETS	SHEET NO.	SHEET NO. 42
FAP 301	177-2	STEPHENSON	386	182	47 SHEETS
FED. ROAD DIST. NO. 7	ILLINOIS	FED. AID PROJECT			

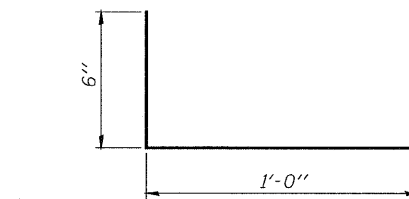
Contract No. 64799



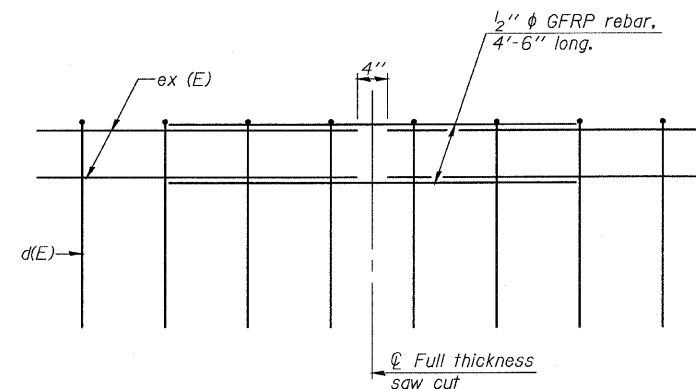
SECTION
(Showing dimensions)



SECTION
(Showing reinforcement clearances for slip forming and additional reinforcement bars)



#3 (E) BAR



GFRP REBAR STIFFENING DETAIL
(Place as shown in parapet section at each parapet joint location.)

GENERAL NOTES

- All dimensions shall remain the same as shown on superstructure details, except dimensions A and B which are to be revised as shown to provide additional clearance. Additional concrete needed to revise dimension A and B = 0.0165 cu. yds./ft. of parapet.
- Place aluminum sheet in curb portion at and near piers. Full thickness saw cut at all joint locations in lieu of cork joint filler.
- Steel superstructure shown. Other superstructure types similar.

* See Superstructure Details.

DESIGNED	S.CHELBIAN
CHECKED	A.HAMMAD
DRAWN	S.CHELBIAN
CHECKED	J.GRAINAWI

CONCRETE PARAPET
SLIPFORMING OPTION
F.A.P. ROUTE 301 SECTION 177-2B-1
STEPHENSON COUNTY
STATION 540+65.71
STRUCTURE NO. 089-0082

