

STATE OF ILLINOIS  
DEPARTMENT OF TRANSPORTATION

ROUTE NO.	SECTION	COUNTY	TOTAL SHEETS	SHEET NO.
FAP 301	177-2	STEPHENSON	386	189
FED. ROAD DIST. NO. 7		ILLINOIS	FED. AID PROJECT-	

Contract No. 64799

**GENERAL NOTES:**

Reinforcement bars shall conform to the requirements of ASTM A 706 Gr 60. See Special Provisions.  
Reinforcement bars designated (E) shall be epoxy coated.  
The embankment configuration shown shall be the minimum that must be placed and compacted prior to construction of the abutments.  
The Steel H-Piles shall be according to AASHTO M270 Grade 50.  
The Contractor shall drive test piles to 110% of the nominal required bearing specified in production location at substructures specified or approved by the Engineer before ordering the remainder of piles.  
All embedded and separate bearing plates, side retainers, anchor bolts, nuts, washers and pintles shall be galvanized according to AASHTO M111 or M232 (as applicable).  
Piles for abutments shall be driven through 2'-6" diameter pre-cored holes extending to 10' deep according to article 512.09 (c) of the standard specifications. Cost included in Driving Piles.  
Bridge approach slabs will be constructed in a future contract. Drawings for the top of approach slab elevations and bridge approach slab details are included for information only. See sheets 5-6 and 9-10.

**INDEX OF SHEETS**

- 1 General Plan and Elevation
- 2 General Data
- 3-4 Top of Slab Elevations
- 5-6 Top of Approach Slab Elevations\*\*
- 7 Superstructure
- 8 Superstructure Details
- 9-10 Bridge Approach Slab Details\*\*
- 11 Diaphragm Details
- 12 Framing Plan
- 13-14 36" PPC I-Beam
- 15-16 Abutments
- 17-18 Piers
- 19 HP Pile Details
- 20 Bar Splicer Assembly And Mechanical Splicer Details
- 21 Concrete Parapet Slipforming Option
- 22-24 Soil Boring Logs

\*\* FOR INFORMATION ONLY

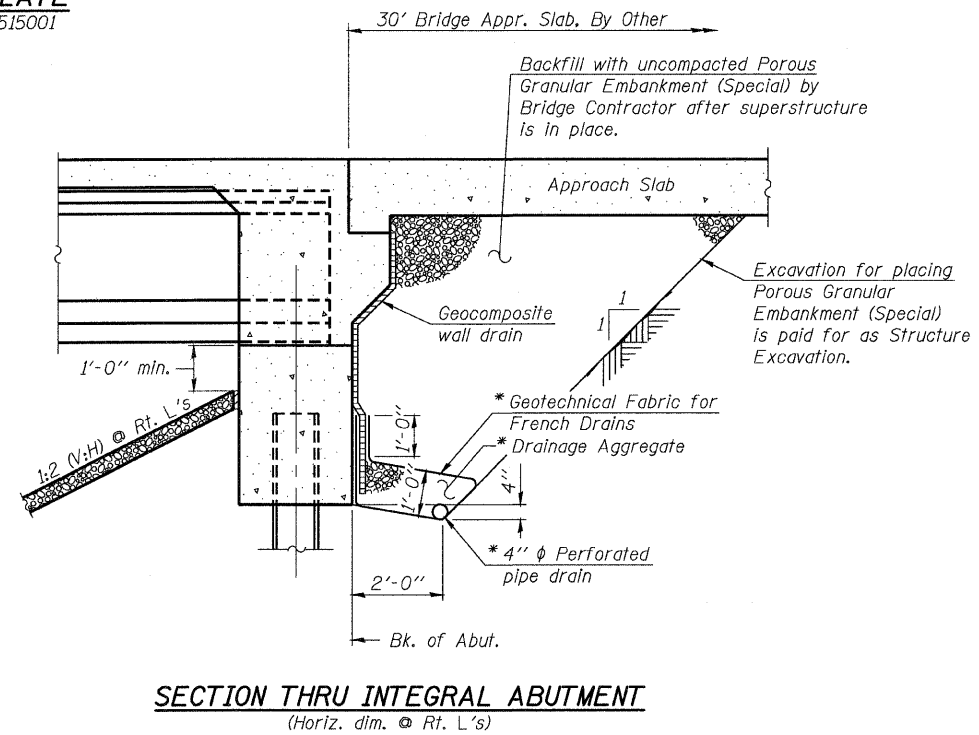
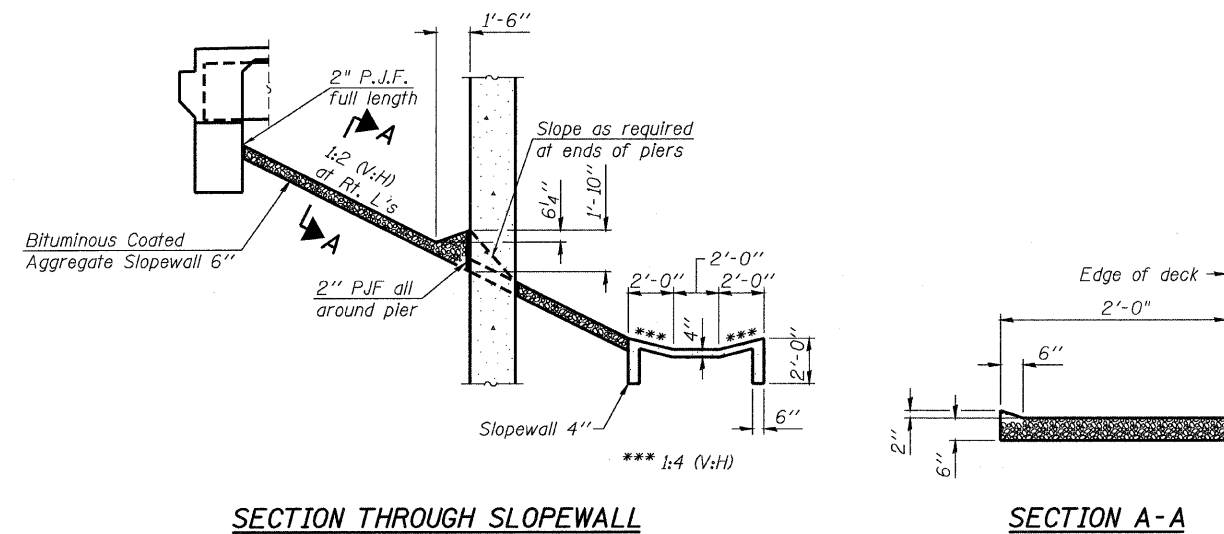
**TOTAL BILL OF MATERIAL**

ITEM	UNIT	SUPER	SUB	TOTAL
Porous Granular Embankment, Special	Cu. Yd.		128	128
Structure Excavation	Cu. Yd.		200	200
Concrete Structures	Cu. Yd.		260.7	260.7
Concrete Superstructure	Cu. Yd.	226.5		226.5
Bridge Deck Grooving	Sq. Yd.	611		611
Concrete Encasement	Cu. Yd.		4.2	4.2
Protective Coat	Sq. Yd.	764		764
Furnishing And Erecting Precast Prestressed Concrete I-Beams, 36"	Foot	852		852
Reinforcement Bars, Epoxy Coated	Pound	48290	19700	67990
Bar Splicers	Each	92		92
Slopedwall 4 Inch	Sq. Yd.		65	65
Bituminous Coated Aggregate Slopedwall 6"	Sq. Yd.		566	566
Furnishing Steel Piles HP 10 X 57	Foot		795	795
Furnishing Steel Piles HP 12 X 74	Foot		815	815
Driving Piles	Foot		1610	1610
Test Pile Steel HP 10 X 57	Each		2	2
Test Pile Steel HP 12 X 74	Each		2	2
Pile Shoes	Each		20	20
Name Plates	Each	1		1
Anchor Bolts, 1 1/2 inch	Each	8		8
Geocomposite Wall Drain	Sq. Yd.		90	90
Pipe Underdrains for Structures 4"	Foot		140	140

STATION 569+87.29  
BUILT BY  
STATE OF ILLINOIS  
F.A.P. RT. 301 SEC. 117-2VB-1  
LOADING HS20  
STR. NO. 089-0083

**NAME PLATE**

See Std. 515001



\* Included in the cost of Pipe Underdrains for Structures 4".

Note:  
All drainage system components shall extend to 2'-0" from the end of each wingwall except an outlet pipe shall extend until intersecting with the side slopes. The pipes shall drain into concrete headwalls. (See Article 601.05 of the Standard Specifications and Highway Standard 601101).

**GENERAL DATA**  
 F.A.P. ROUTE 301 SECTION 117-2VB-1  
 STEPHENSON COUNTY  
 STATION 569+87.29  
 STRUCTURE NO. 089-0083

