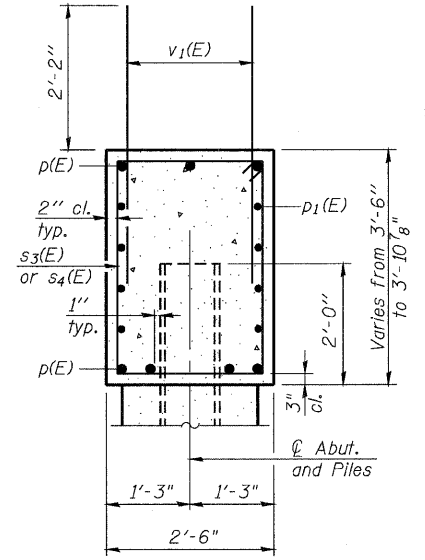
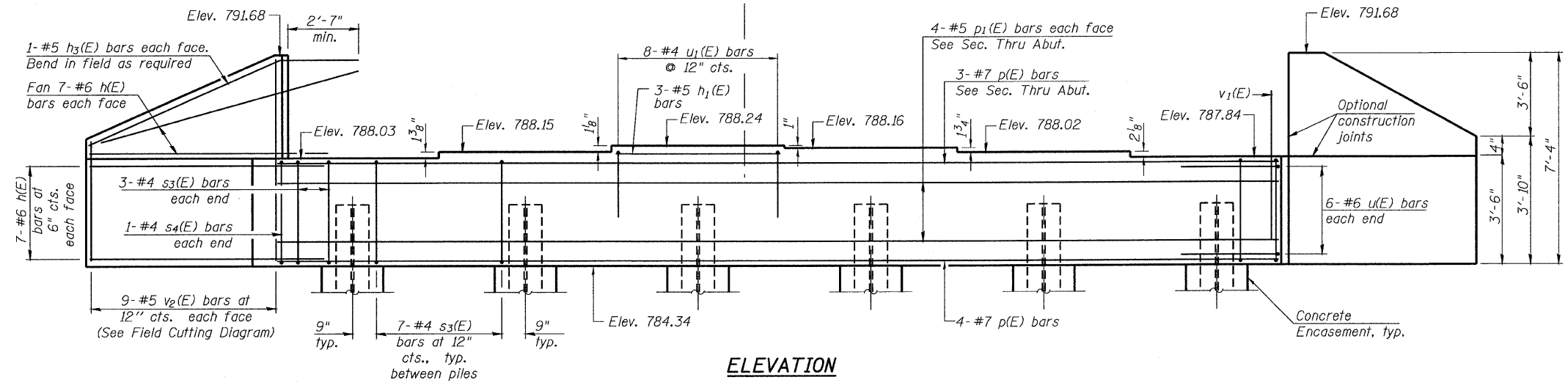


STATE OF ILLINOIS  
DEPARTMENT OF TRANSPORTATION

ROUTE NO.	SECTION	COUNTY	TOTAL SHEETS	SHEET NO.	SHEET NO. 15
FAP 301	177-2	STEPHENSON	386	202	24 SHEETS
FED. ROAD DIST. NO. 7	ILLINOIS	FED. AID PROJECT-			

Contract No. 64799

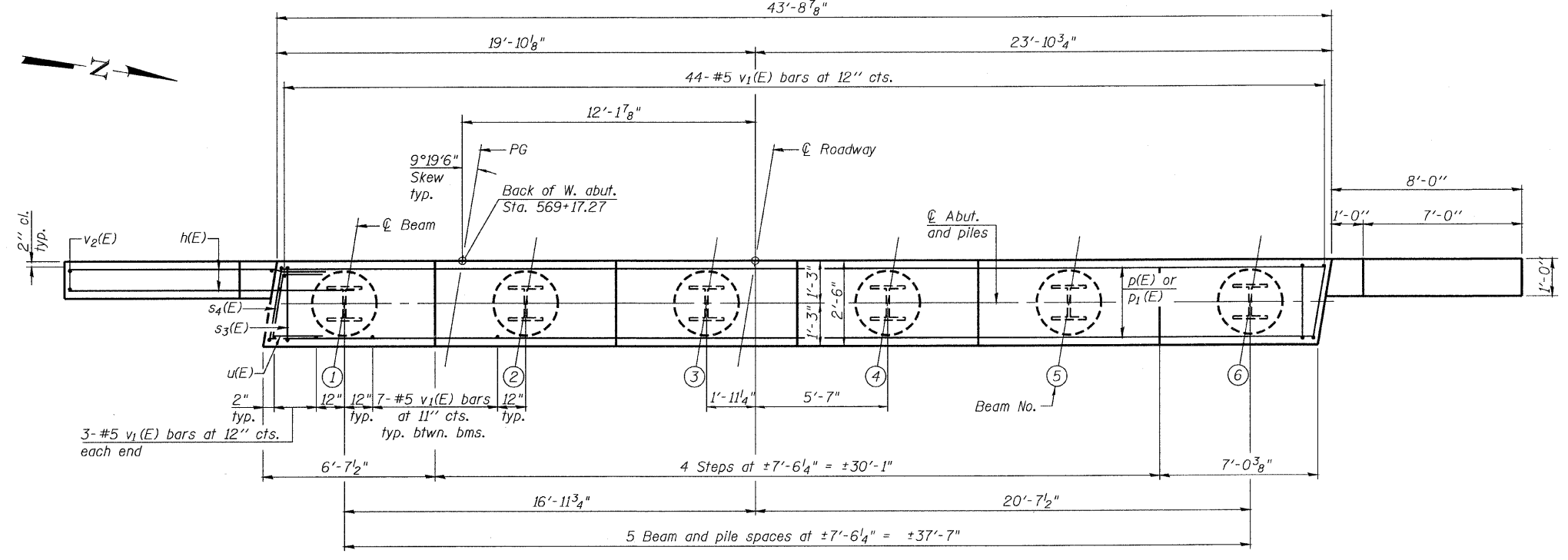
Notes:  
Pour steps monolithically with cap.  
For details of Bar Splicers, see sheet 20 of 24.  
For details of piles and Concrete Encasement, see sheet 19 of 24.



SEC. THRU ABUT.

BILL OF MATERIAL

Bar	No.	Size	Length	Shape
h(E)	56	#6	10'-6"	—
h1(E)	3	#5	7'-2"	—
h3(E)	4	#5	11'-3"	—
p(E)	7	#7	43'-5"	—
p1(E)	8	#5	43'-5"	—
s3(E)	41	#4	11'-3"	□
s4(E)	2	#4	11'-4"	□
u(E)	12	#6	9'-5"	┌
u1(E)	8	#4	5'-6"	┌
v1(E)	85	#5	4'-4"	—
v2(E)	18	#5	10'-6"	—
Structure Excavation		Cu. Yd.	47	
Concrete Structures		Cu. Yd.	18.5	
Concrete Encasement		Cu. Yd.	2.1	
Reinforcement Bars, Epoxy Coated		Pound	3040	
Furnishing Steel Piles, HP 10x57		Foot	410	
Driving Piles		Foot	410	
Test Pile, Steel HP 10x57		Each	1	
Pile Shoes		Each	5	

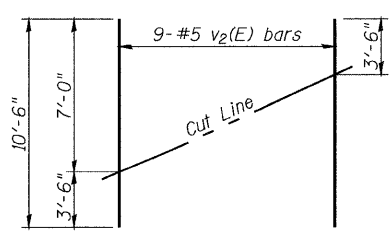


PLAN

PILE DATA

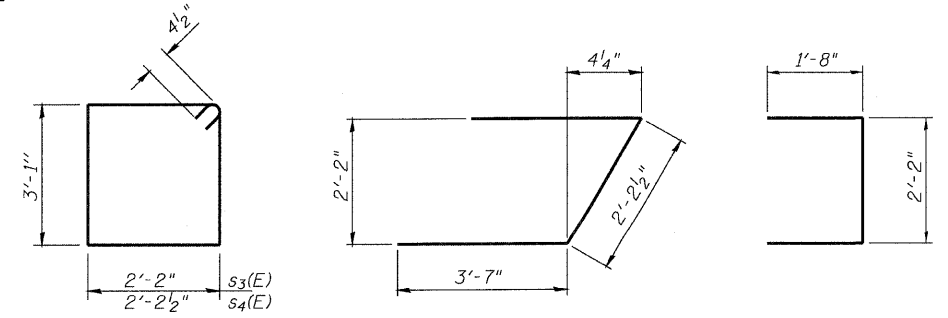
Type: HP 10x57 w/Pile Shoes  
Nominal Required Bearing: 454 kips  
Factored Resistance Available: 151 kips  
Est. Length: 82 ft.  
No. Production Piles: 5  
No. Test Piles: 1

DESIGNED	J.ZUO
CHECKED	Z. MORILLO
DRAWN	D.C.PATEL
CHECKED	J.GRAINAWI

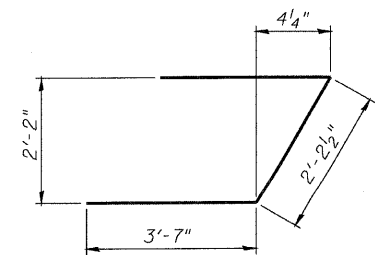


FIELD CUTTING DIAGRAM

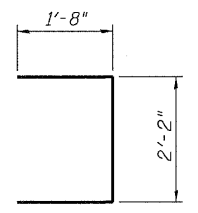
Order v2(E) full length. Cut as shown and use remainder of bars in opposite face.



BARS s3(E) & s4(E)



BAR u(E)



BAR u1(E)



WEST ABUTMENT  
F.A.P. ROUTE 301 SECTION 177-2VB-1  
STEPHENSON COUNTY  
STATION 569+87.29  
STRUCTURE NO. 089-0083

T:\168144\StructCadd\PreFinal\US20 Bridge 089-0083 (Jane Addams Trail Bridge)\000000-64799-000-015.dgn 25-JAN-2010 14:25