

STATE OF ILLINOIS  
DEPARTMENT OF TRANSPORTATION  
43'-11"

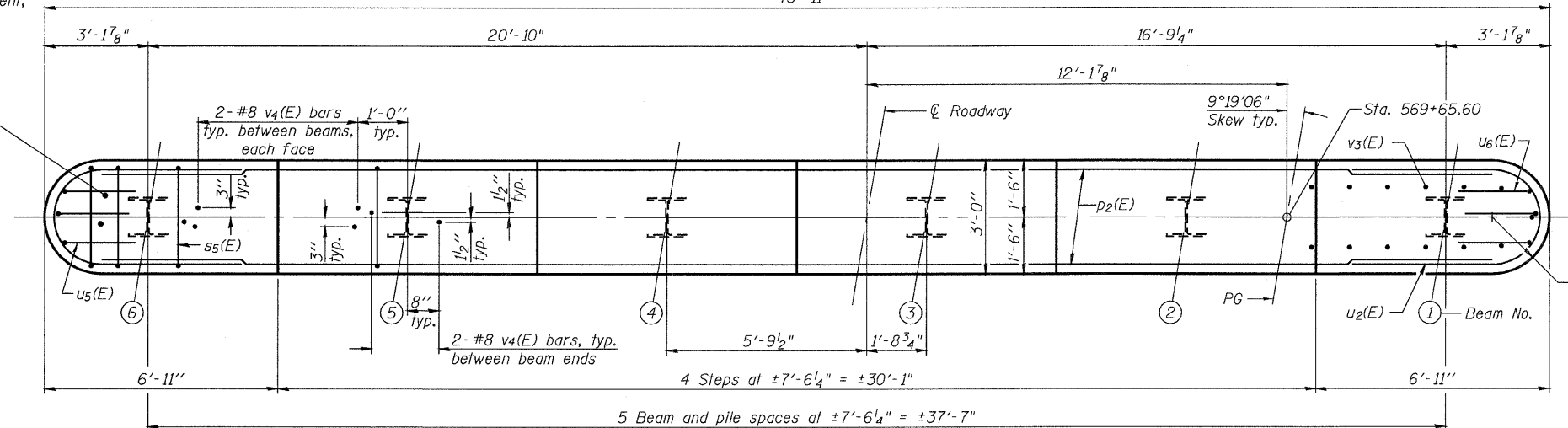
ROUTE NO.	SECTION	COUNTY	TOTAL SHEETS	SHEET NO.	SHEET NO. 17
FAP 301	177-2	STEPHENSON	386	204	24 SHEETS
FED. ROAD DIST. NO. 7	ILLINOIS	FED. AID PROJECT-			

Contract No. 64799

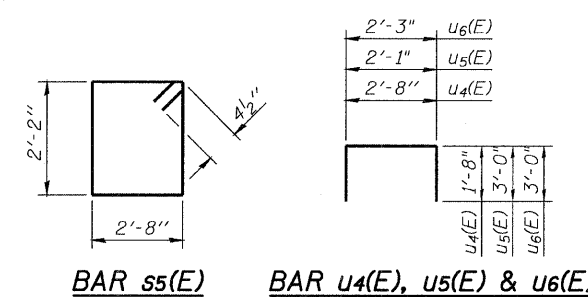
Notes:  
Space reinforcement in cap to miss anchor bolts.  
Pour steps monolithically with cap.  
For details of piles, and Concrete Encasement,  
see sheet 19 of 24.

PILE DATA

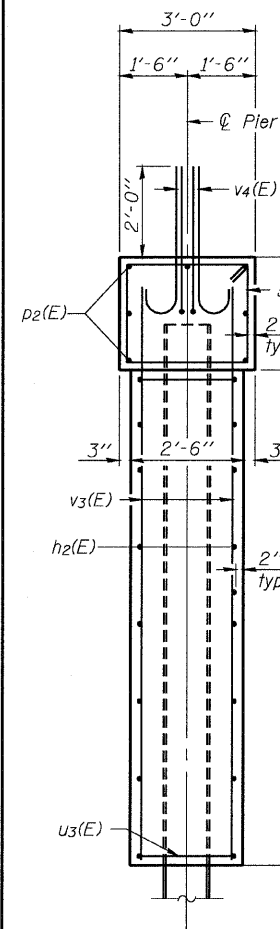
Type: HP 12 x 74 w/ Pile Shoes  
Nominal Required Bearing: 589 kips  
Allowable Resistance Available: 196 kips  
Est. Length: 90 ft.  
No. Production Piles: 5  
No. Test Piles: 1



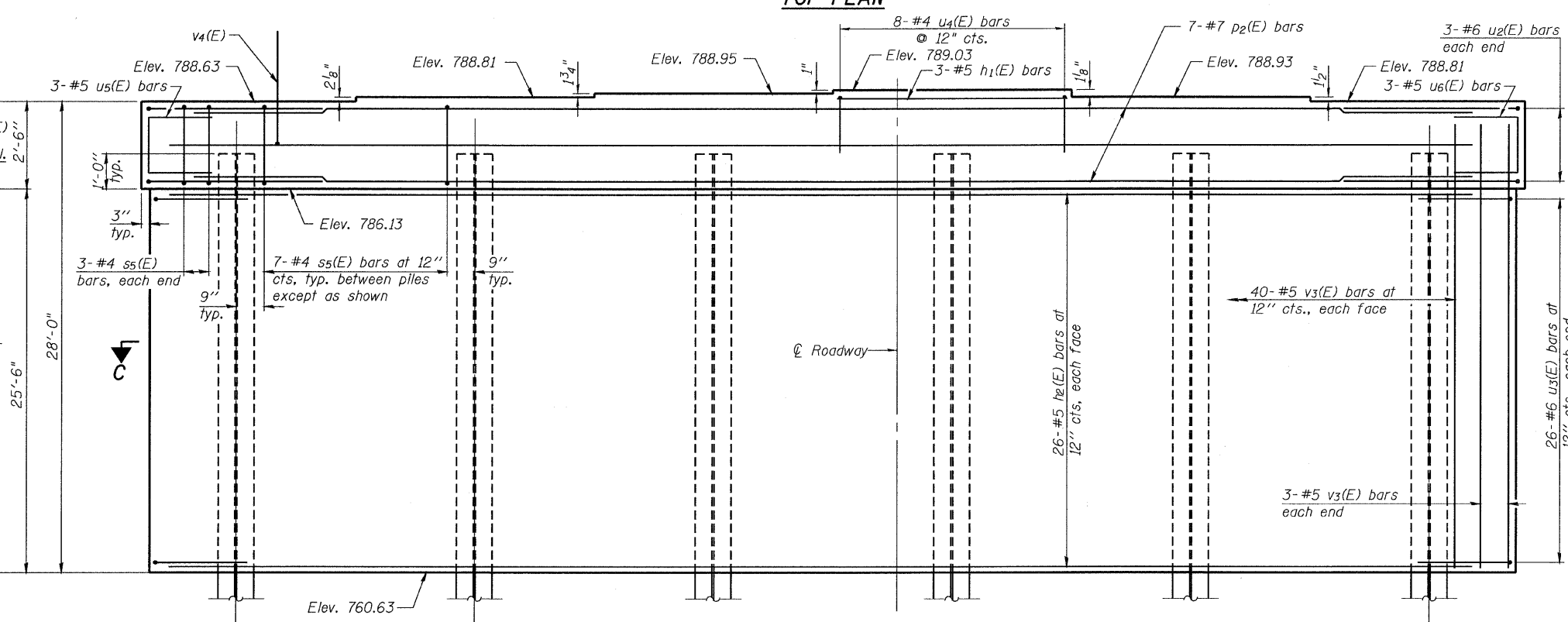
TOP PLAN



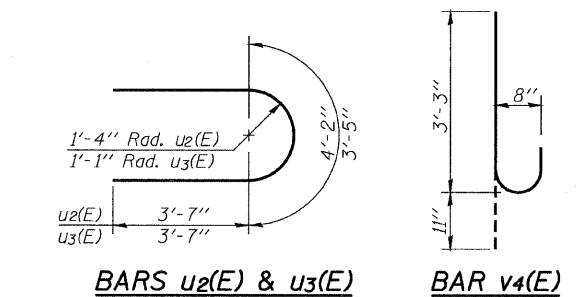
BAR s5(E) BAR u4(E), u5(E) & u6(E)



END VIEW



ELEVATION  
(Looking East)

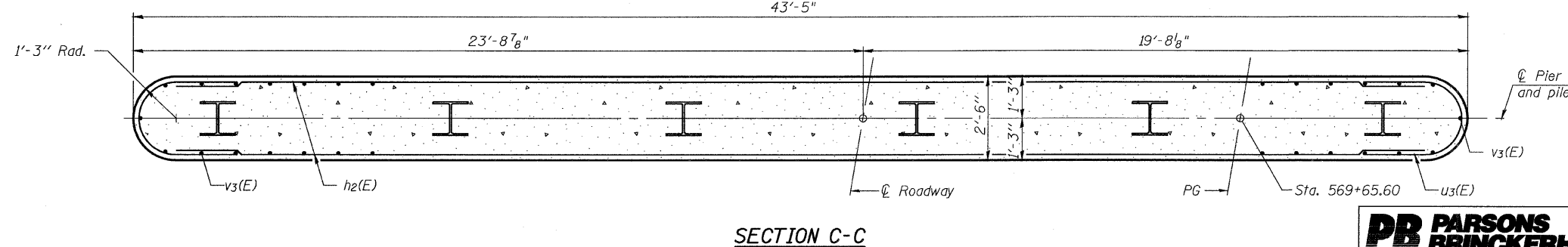


BARS u2(E) & u3(E) BAR v4(E)

BILL OF MATERIAL

Bar	No.	Size	Length	Shape
h1(E)	3	#5	7'-2"	—
h2(E)	52	#5	40'-11"	—
p2(E)	7	#7	40'-11"	—
s5(E)	41	#4	10'-5"	□
u2(E)	6	#6	11'-4"	┌┐
u3(E)	52	#6	10'-7"	┌┐
u4(E)	8	#4	6'-0"	┌┐
u5(E)	3	#5	8'-3"	┌┐
u6(E)	3	#5	8'-1"	┌┐
v3(E)	86	#5	27'-6"	—
v4(E)	30	#8	4'-2"	┌┐
Structure Excavation		Cu. Yd.	53	
Concrete Structures		Cu. Yd.	114.7	
Reinforcement Bars, Epoxy Coated		Pound	6930	
Furnishing Steel Piles, HP 12x74		Foot	450	
Driving Piles		Foot	450	
Test Pile, Steel HP 12x74		Each	1	
Pile Shoes		Each	5	

DESIGNED	J.ZUO
CHECKED	R. OTREMBIAK
DRAWN	D.C.PATEL
CHECKED	J.GRAINAWI



SECTION C-C



PIER 1  
F.A.P. ROUTE 301 SECTION 177-2VB-1  
STEPHENSON COUNTY  
STATION 569+87.29  
STRUCTURE NO. 089-0083