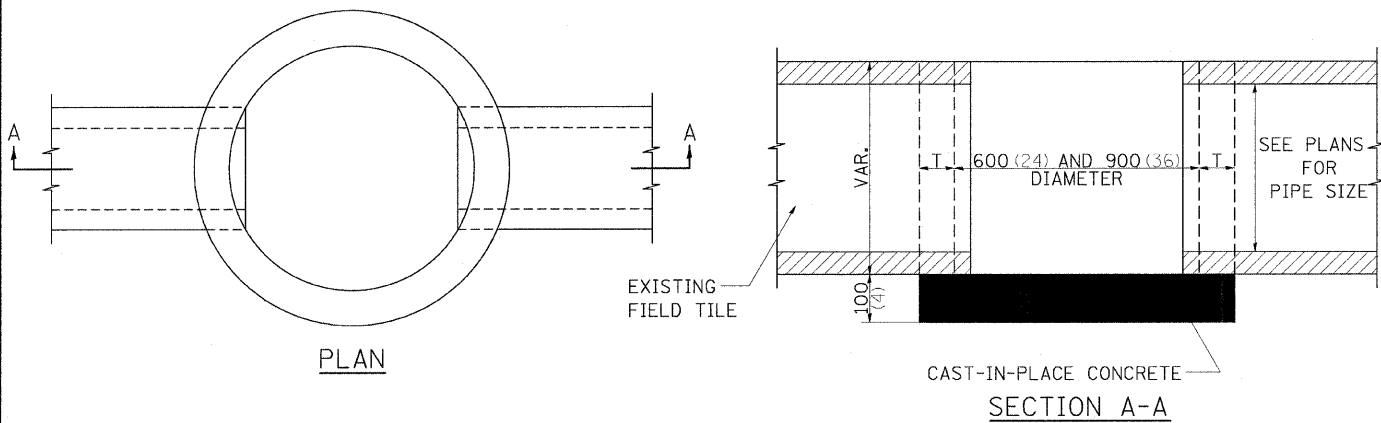
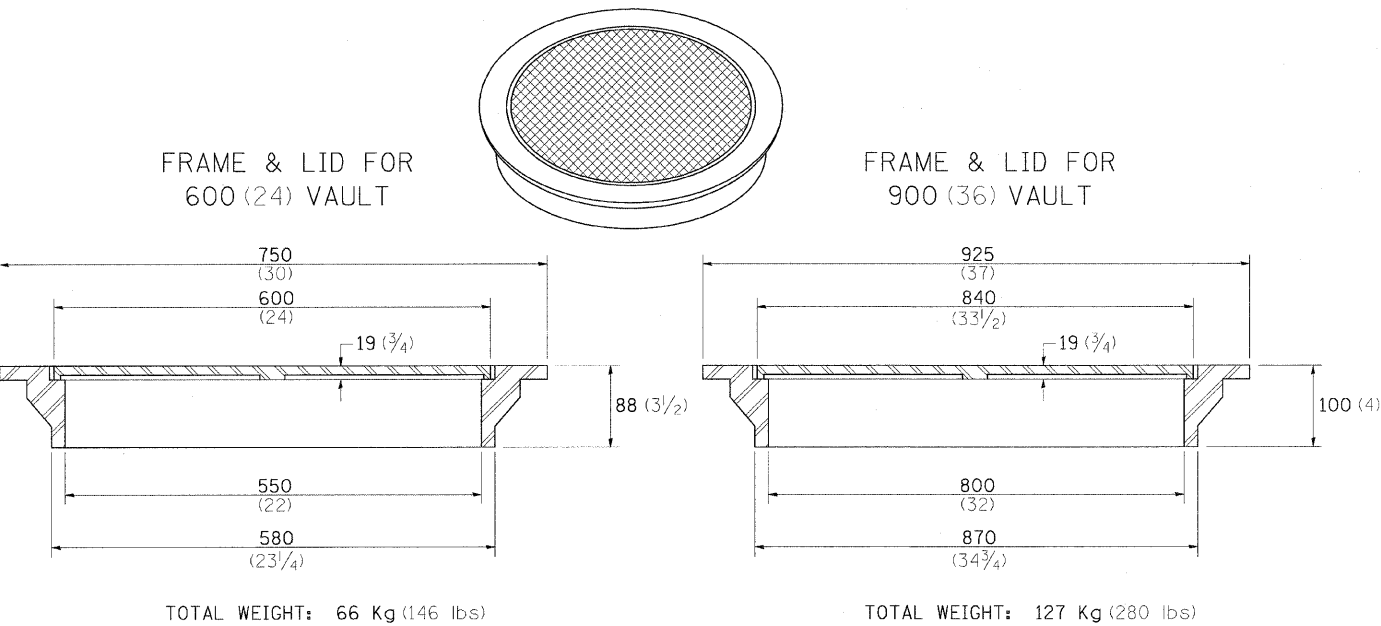


# FIELD TILE JUNCTION VAULTS 600 (24) AND 900 (36) DIA.

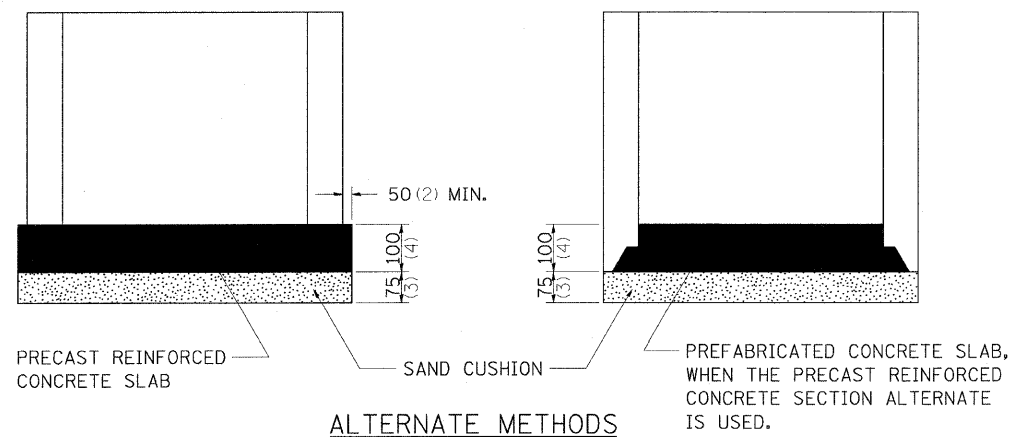
CONTRACT NO.				
F.A. RTE.	SECTION	COUNTY	TOTAL SHEETS	SHEET NO.
301	177-2 (-1A, B-1, VB-1)	STEPHENSON	386	227
STA.		TO STA.		
FED. ROAD DIST. NO.		ILLINOIS FED. AID PROJECT		
P-92-029-02				



ALTERNATE MATERIALS FOR WALLS		T
BRICK MASONRY		200 (8)
CAST-IN-PLACE CONCRETE		150 (6)
CONCRETE MASONRY UNIT		125 (5)
PRECAST REINFORCED CONCRETE SECTION		75 (3)

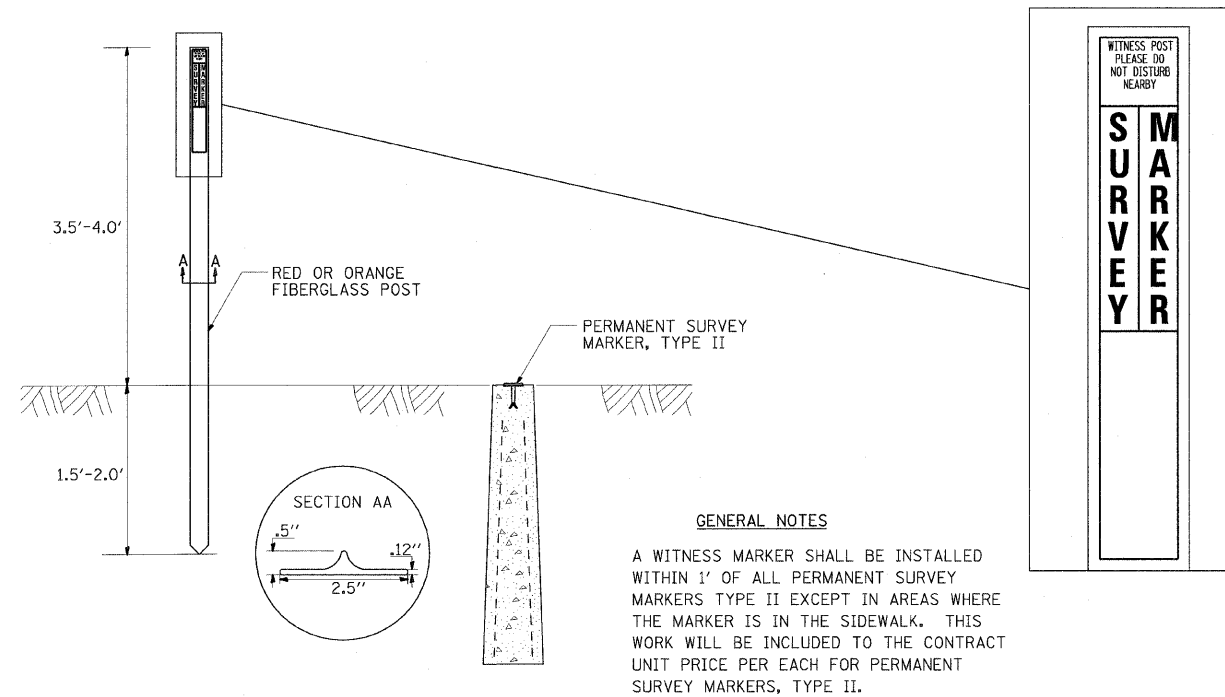
NOTE: THE FRAME AND LID IS REQUIRED ON ALL JUNCTION VAULTS.

ALL DIMENSIONS ARE IN MILLIMETERS (INCHES) UNLESS OTHERWISE NOTED.



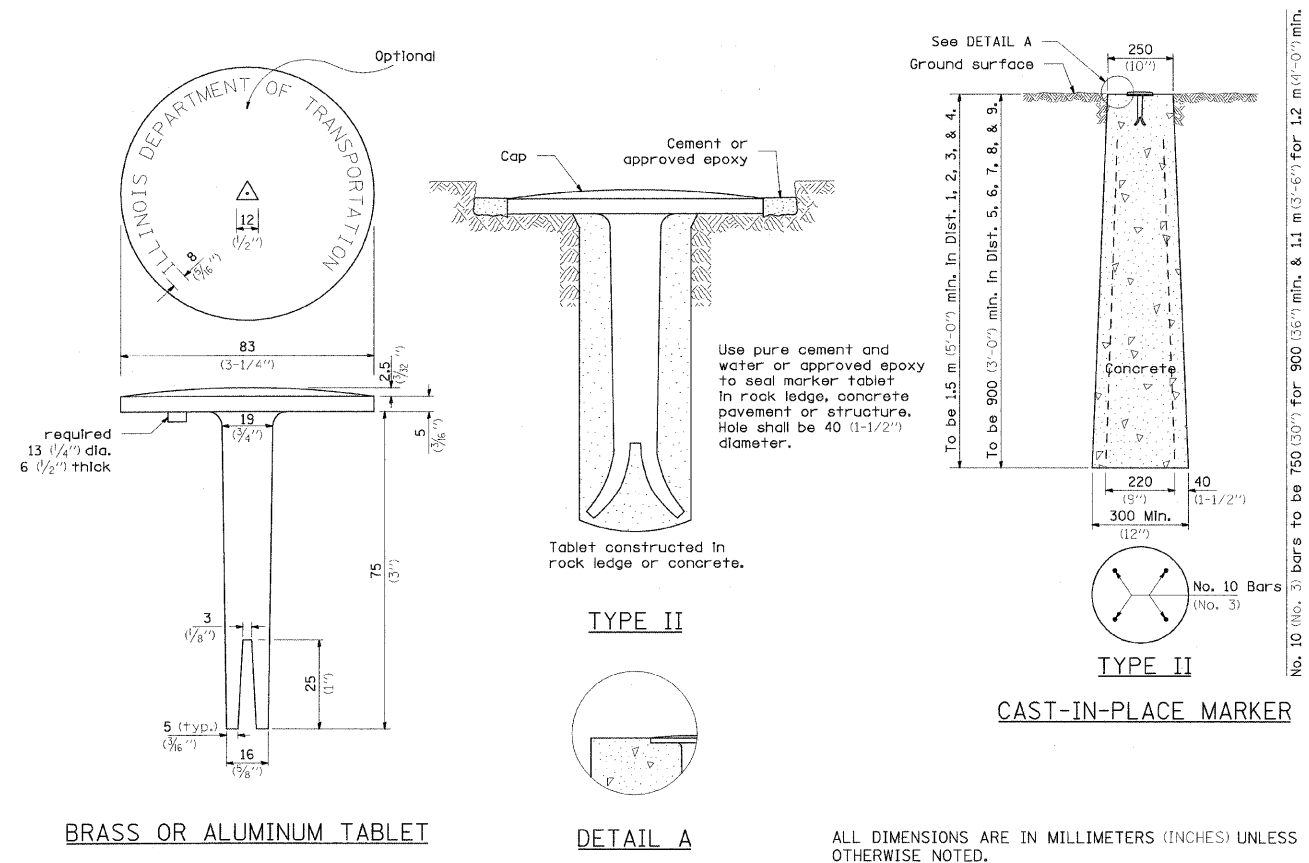
## FIELD TILE JUNCTION VAULTS 600 (24) AND 900 (36) DIA. 30.2

# WITNESS MARKER FOR PERMANENT SURVEY MARKERS, TYPE II



**GENERAL NOTES**  
A WITNESS MARKER SHALL BE INSTALLED WITHIN 1' OF ALL PERMANENT SURVEY MARKERS TYPE II EXCEPT IN AREAS WHERE THE MARKER IS IN THE SIDEWALK. THIS WORK WILL BE INCLUDED TO THE CONTRACT UNIT PRICE PER EACH FOR PERMANENT SURVEY MARKERS, TYPE II.

# PERMANENT SURVEY MARKERS, TYPE II



Use pure cement and water or approved epoxy to seal marker tablet in rock ledge, concrete pavement or structure. Hole shall be 40 (1-1/2'') diameter.

ALL DIMENSIONS ARE IN MILLIMETERS (INCHES) UNLESS OTHERWISE NOTED.

No. 10 (No. 3) bars to be 750 (30'') for 900 (36'') dia. & 1.1 m (3'-6'') for 1.2 m (4'-0'') dia.

PLOT DATE = 1/25/2018  
FILE NAME = #FILE#  
PLOT SCALE = #SCALE#  
REFERENCE = #REF#

## WITNESS MARKER & PERMANENT SURVEY MARKERS, TYPE II