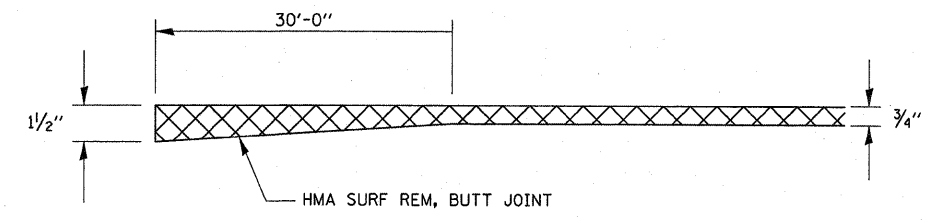
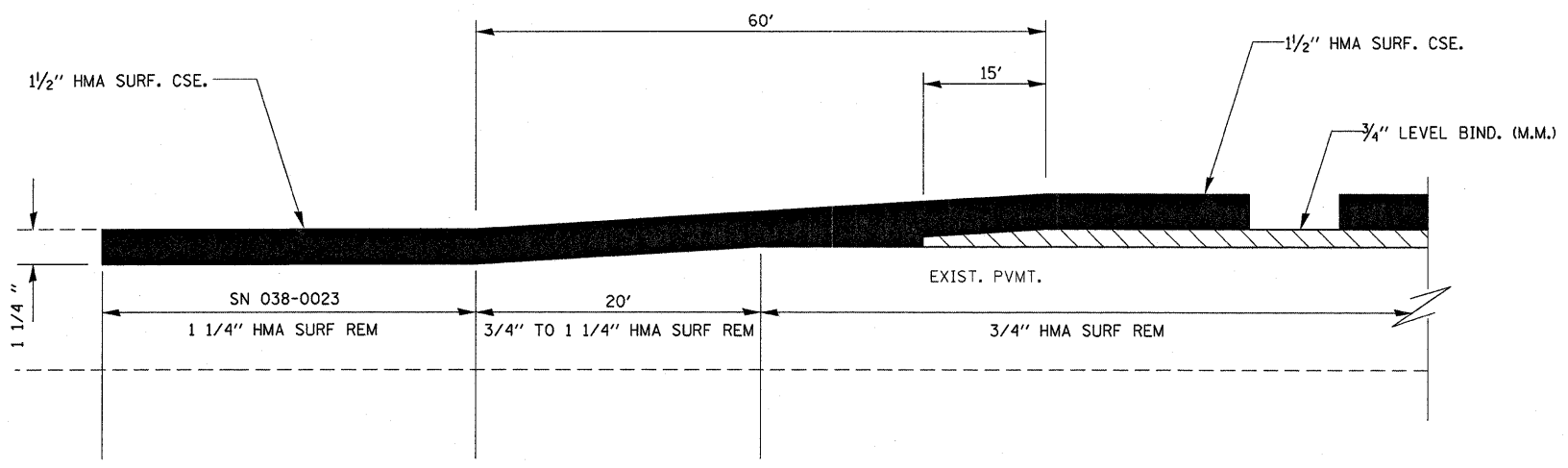


HMA TAPER AT BUTT JOINTS

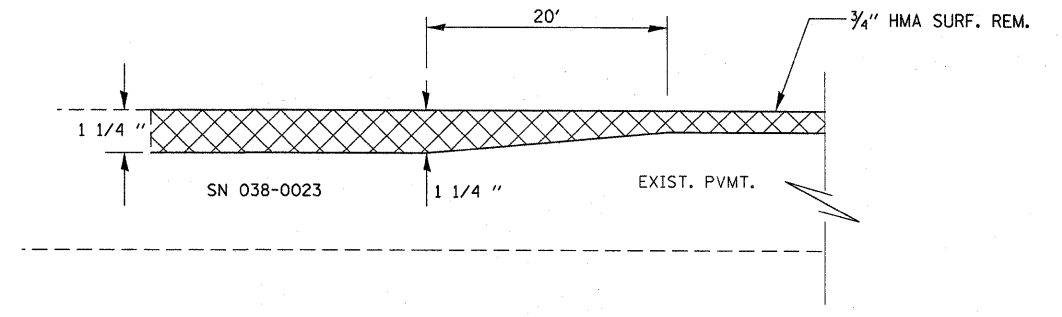
- * STA 1012+05
- * STA 1013+05
- * STA 1338+14.25
- * STA 1338+35.75



HMA SURFACE REMOVAL – BUTT JOINT



TAPER DETAIL AT SN 038-0023



HMA SURFACE REMOVAL TRANSITION AT SN 038-0023

FILE NAME =	USER NAME = carpenterdj	DESIGNED -	REVISD -	STATE OF ILLINOIS DEPARTMENT OF TRANSPORTATION	DETAILS			F.A.P. RTE.	SECTION	COUNTY	TOTAL SHEETS	SHEET NO.
ci:\pw\work\VPWIDOT\CARPENTERDJ\0175591\366643-sht-details.DGN	PLOT SCALE = 50.0000' / IN.	DRAWN -	REVISD -					332	(3, D-1RS-2, (14, 15, 2)RS	IROQUOIS	15	15
PLOT DATE = Jan 25, 2010 - 07:13:14 AM	DATE -	CHECKED -	REVISD -		SCALE: _____ SHEET NO. ___ OF ___ SHEETS STA. _____ TO STA. _____			ILLINOIS FED. AID PROJECT				
								CONTRACT NO. 66643				