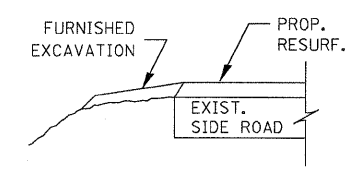
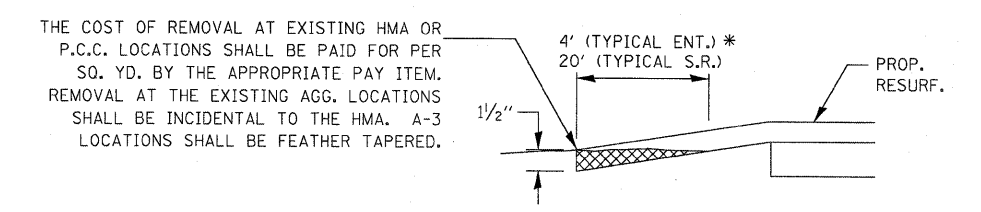


SECTION A-A
DETAILS AT ENTRANCES & SIDE ROADS

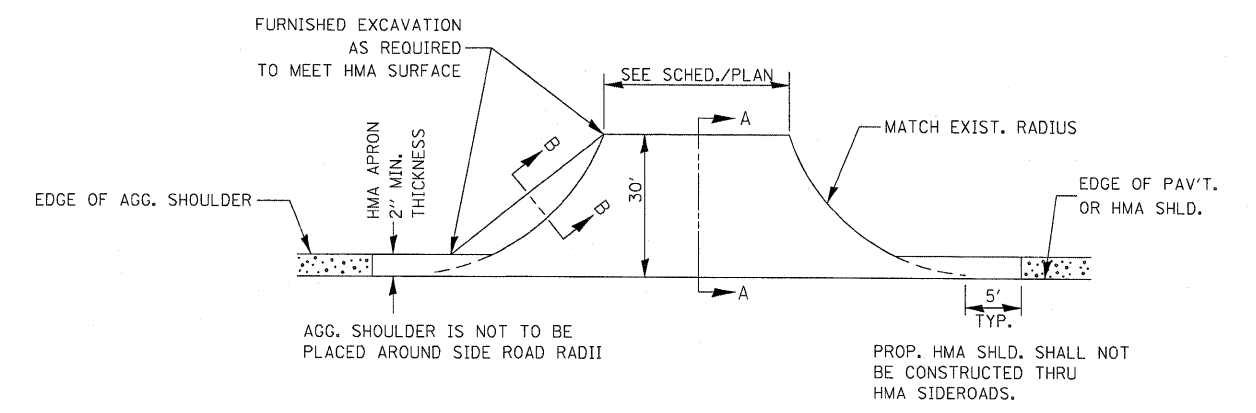


SECTION B-B

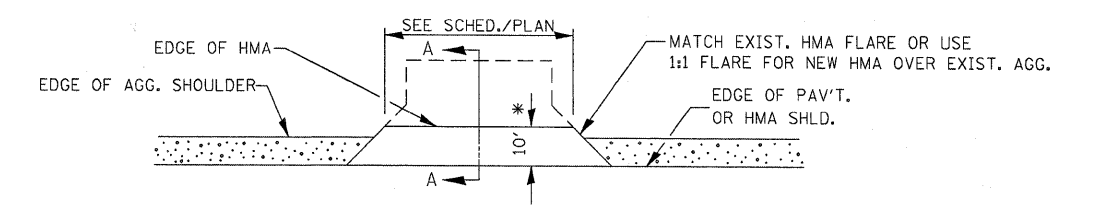


DETAIL A

THE COST OF REMOVAL AT EXISTING HMA OR P.C.C. LOCATIONS SHALL BE PAID FOR PER SQ. YD. BY THE APPROPRIATE PAY ITEM. REMOVAL AT THE EXISTING AGG. LOCATIONS SHALL BE INCIDENTAL TO THE HMA. A-3 LOCATIONS SHALL BE FEATHER TAPERED.



PLAN AT SIDE ROADS



PLAN AT PRIVATE & COMMERCIAL ENTRANCES

(DO NOT RESURFACE FIELD ENTRANCES)

* PROPOSED HMA RESURFACING AT PUBLIC EDUCATIONAL FACILITY ENTRANCES SHALL BE EXTENDED TO THE RIGHT-OF-WAY LIMITS.

| | | | | | | | | | | | | |
|--|----------------------------|------------|-----------|---|---|--|--|---------------------------|-------------------------|----------|--------------|-----------|
| FILE NAME = | USER NAME = carpenterdj | DESIGNED - | REVISED - | STATE OF ILLINOIS DEPARTMENT OF TRANSPORTATION | DETAILS | | | F.A.P. RTE. | SECTION | COUNTY | TOTAL SHEETS | SHEET NO. |
| c:\pwork\PWIDOT\CARPENTERDJ\dms82734\details.dgn | PLT SCALE = 50.0000' / IN. | DRAWN - | REVISED - | | | | | 332 | (2X, 1X, 17, 48X-4)RS-3 | IROQUOIS | 15 | 11 |
| PLT DATE = Jan 28, 2010 - 10:53:41 AM | DATE - | CHECKED - | REVISED - | | SCALE: SHEET NO. OF SHEETS STA. TO STA. | | | CONTRACT NO. 66663 | | | | |
| | | | | | | | | ILLINOIS FED. AID PROJECT | | | | |