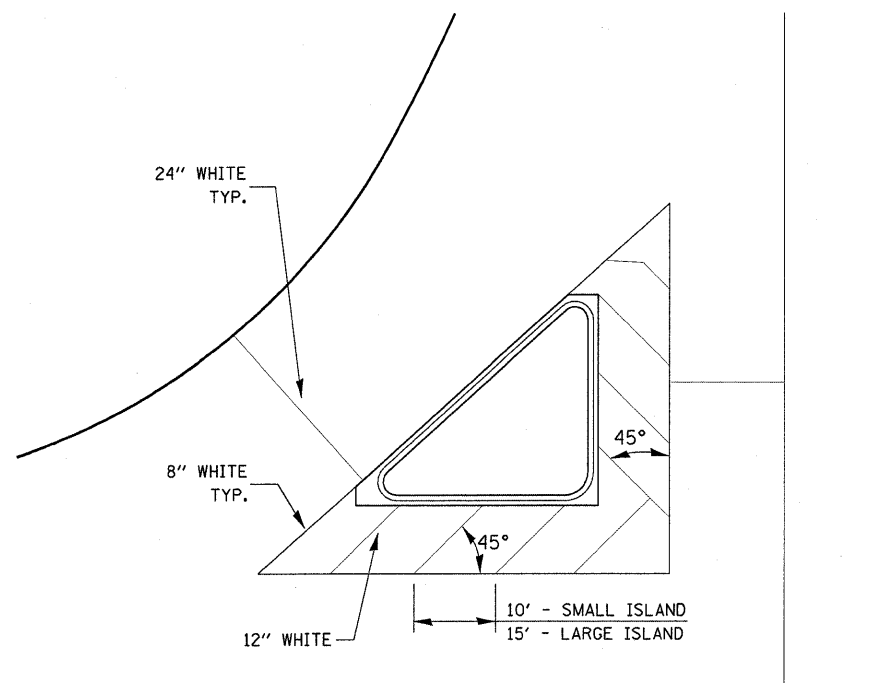
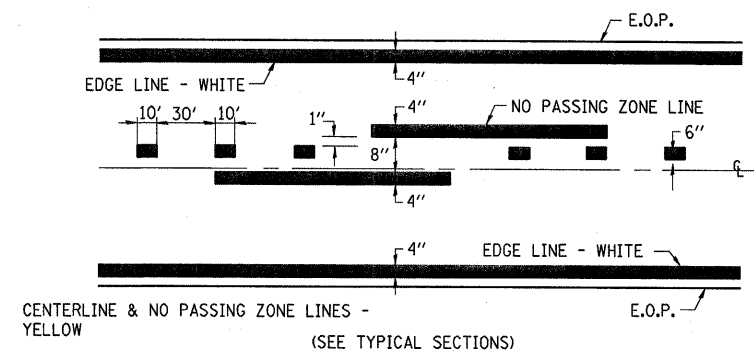


NOTE: WHEN MILLING OPERATIONS PRODUCE A ROUNDED EDGE, THEN A SAW CUT SHALL BE USED TO MANUFACTURE A PERPENDICULAR EDGE AS SHOWN IN THE DETAIL. THE ENGINEER SHALL BE THE SOLE JUDGE CONCERNING THE USE OF THIS DETAIL

### BITUMINOUS DETAIL AT BUTT JOINTS



**TYPICAL ISLAND**



**PAVEMENT MARKING**

FILE NAME =	USER NAME = selnr	DESIGNED -	REVISED -	<b>STATE OF ILLINOIS DEPARTMENT OF TRANSPORTATION</b>	<b>DETAILS</b>			F.A.P. RTE.	SECTION	COUNTY	TOTAL SHEETS	SHEET NO.
ca:\pwr\work\PWIDOT\SELLNR\d0173864\d366	22-shr-details.dgn	DRAWN -	REVISED -		796	(105,106)RS-3	FORD	10	9			
	PLOT SCALE = 50,0539' / IN.	CHECKED -	REVISED -		SCALE: _____ SHEET NO. ____ OF ____ SHEETS STA. _____ TO STA. _____			CONTRACT NO. 66922				
	PLOT DATE = Jan 29, 2010 - 11:43:43 AM	DATE -	REVISED -		ILLINOIS FED. AID PROJECT							