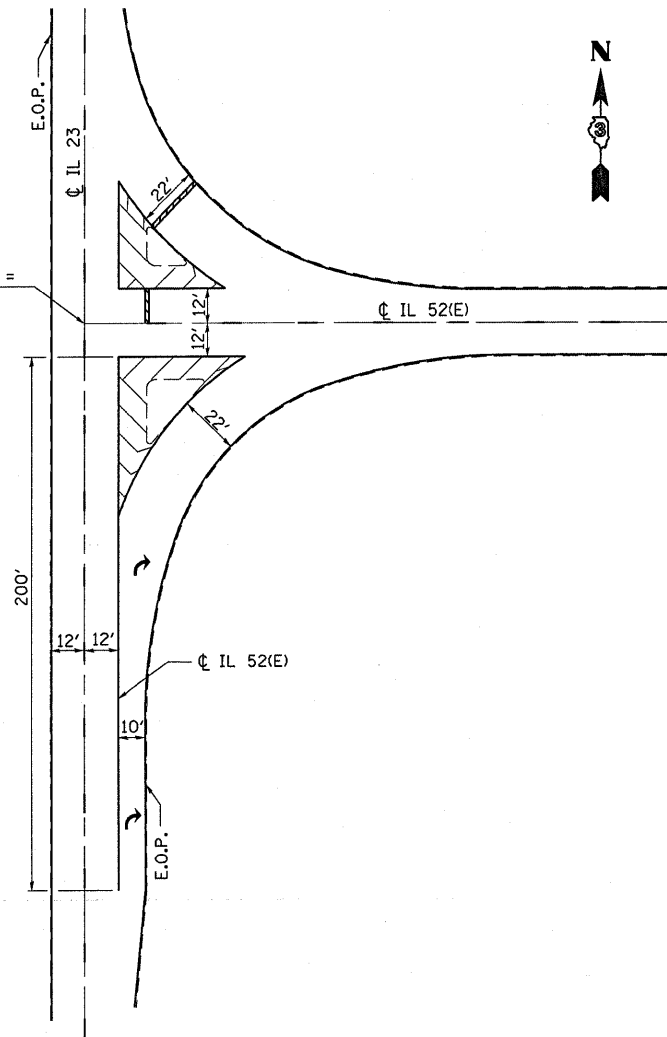
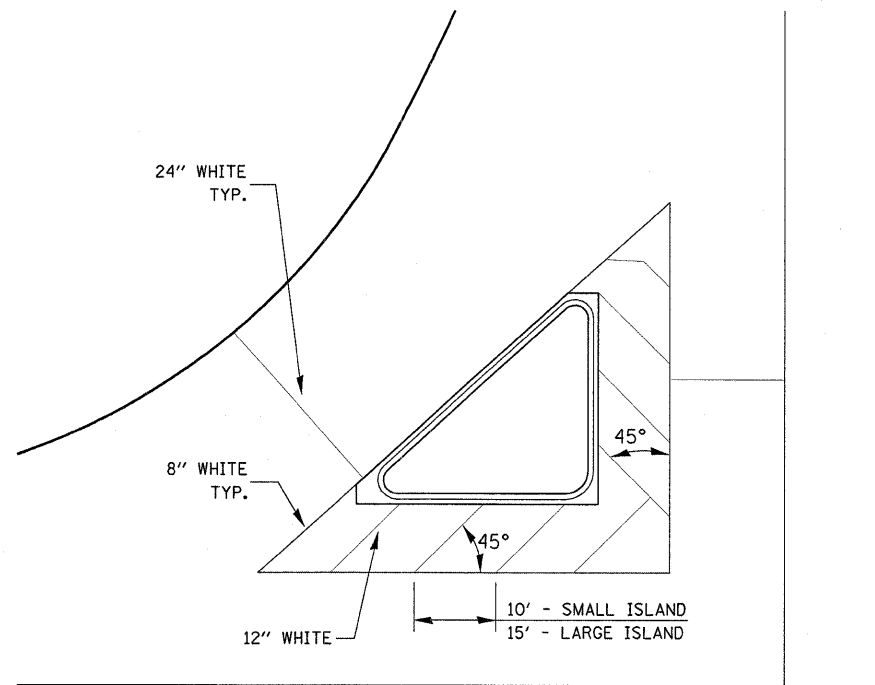


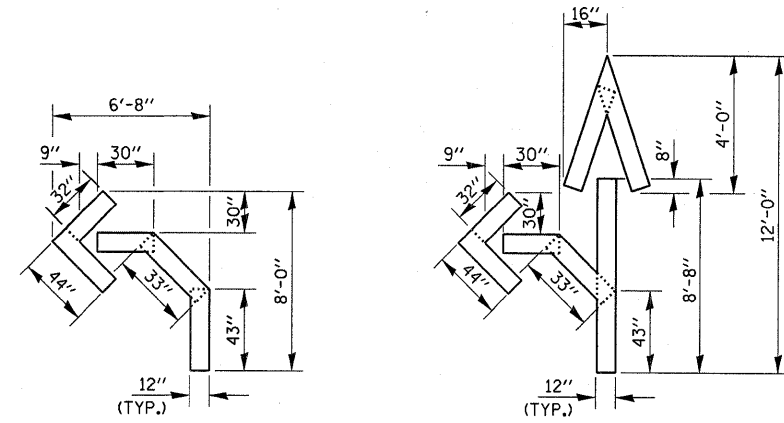
STA 523+12.88 IL 23 =
STA 0+00 US 52(E)



IL 23 /US 52(E) INTERSECTION

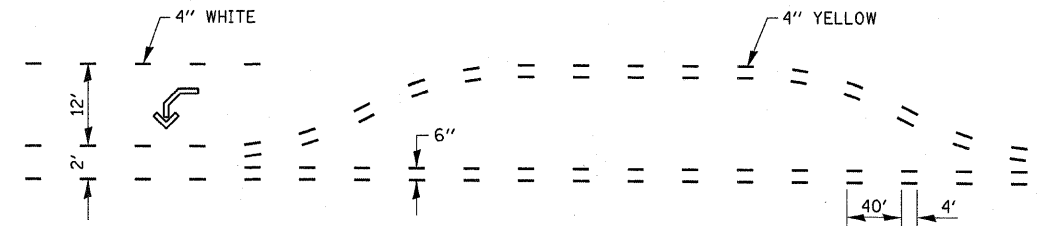


TYPICAL ISLAND



QUANTITY
12\"/>

QUANTITY
12\"/>



**SHORT-TERM PAVEMENT MARKING
FOR MEDIANS AND ARROWS**

FILE NAME = c:\pwork\p\WIDOT\CARPENTERJ\d0122635	USER NAME = carpenterdj	DESIGNED -	REVISED -	STATE OF ILLINOIS DEPARTMENT OF TRANSPORTATION	DETAILS			F.A.P. RTE.	SECTION	COUNTY	TOTAL SHEETS	SHEET NO.
	PLOT SCALE = 50.0000' / IN.	CHECKED -	REVISED -					68	(3)RS-6	LASALLE	13	11
PLOT DATE = Feb 08, 2010 - 08:35:00 AM	DATE -	REVISED -	REVISED -	SCALE:	SHEET NO.	OF	SHEETS	STA.	TO STA.	CONTRACT NO. 66929 ILLINOIS FED. AID PROJECT		