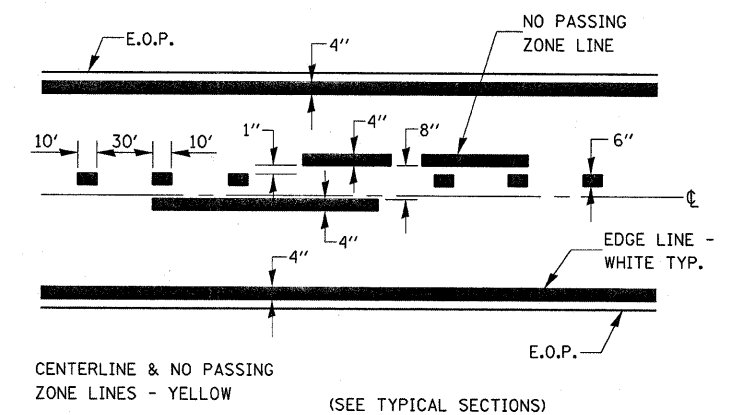
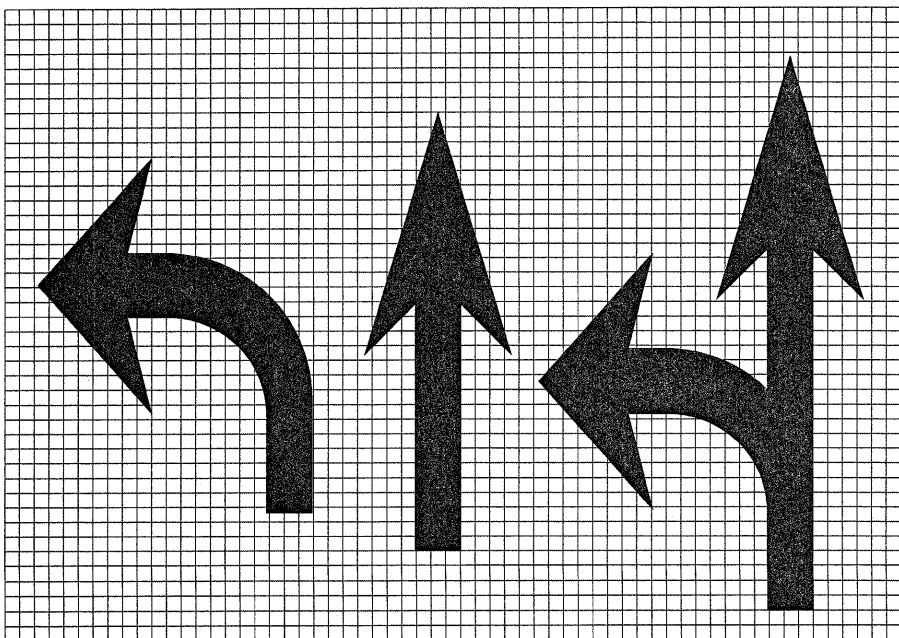


**TYPICAL ISLAND**



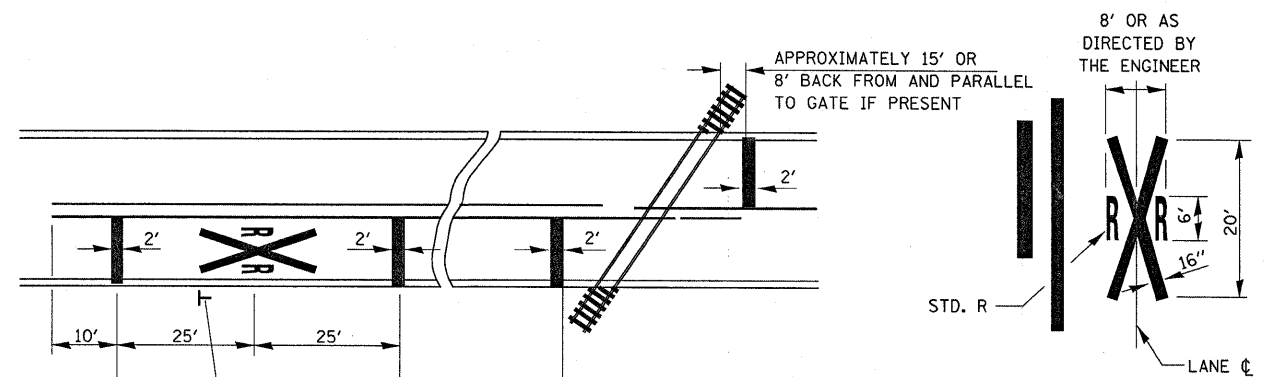
**PAVEMENT MARKING**



LEGEND HEIGHT	ARROW SIZE	a
6'	SMALL	2.9
8'	LARGE	3.8

THE SPACE BETWEEN ADJACENT LETTERS OR NUMERALS SHOULD BE APPROXIMATELY 3' FOR 6' LEGEND AND 4' FOR 8' LEGEND.

**LETTER AND ARROW GRID SCALE**



\* MINIMUM DISTANCE  
400' FOR 55 MPH  
250' FOR 45 MPH  
100' FOR 35 MPH OR LESS

NOTES:  
THE TRANSVERSE SPREAD OF THE "X" MAY VARY ACCORDING TO LANE WIDTH.

ON MULTI-LANE ROADS, THE STOP LINES SHALL EXTEND ACROSS ALL APPROACH LANES AND SEPARATE RXR SYMBOLS SHALL BE PLACED ADJACENT TO EACH OTHER IN EACH LANE.

WHEN THE PAVEMENT MARKING SYMBOL IS USED, A PORTION OF THE SYMBOL SHOULD BE LOCATED DIRECTLY ADJACENT TO THE ADVANCE WARNING SIGN (W10-1).

**PAVEMENT MARKINGS AT RAILROAD-HIGHWAY GRADE CROSSING**