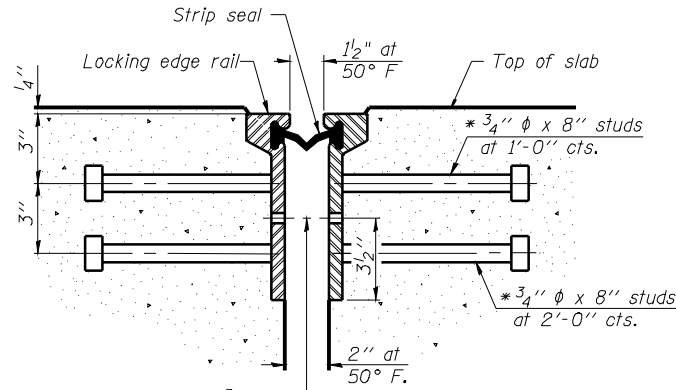


Feb-01-2010 10:55:43AM

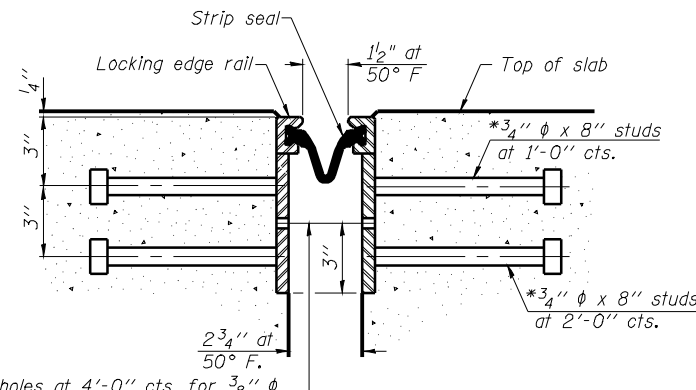
STATE OF ILLINOIS
DEPARTMENT OF TRANSPORTATION

* Granular or solid flux filled headed studs conforming to Article 1006.32 of the Std. Specs., automatically end welded.



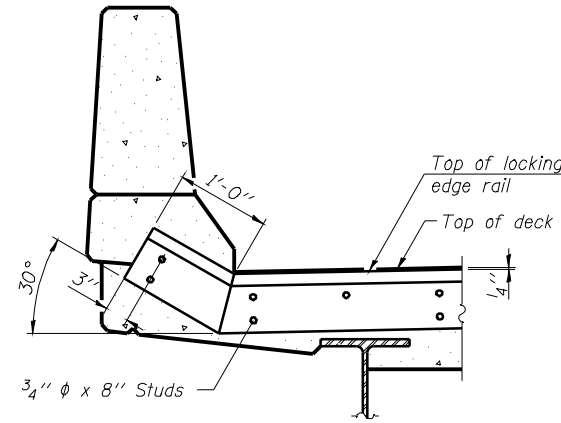
7/16" ϕ holes at 4'-0" cts. for 3/8" ϕ bolts. All bolts shall be burned, sawed, or chipped off flush with the plates after forms are removed, typ.

**SECTION THRU
ROLLED RAIL JOINT**

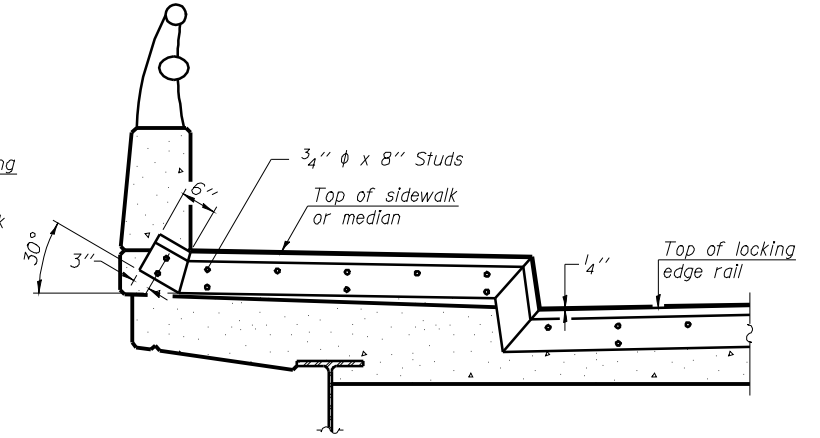


7/16" ϕ holes at 4'-0" cts. for 3/8" ϕ bolts. All bolts shall be burned, sawed, or chipped off flush with the plates after forms are removed, typ.

**SECTION THRU
WELDED RAIL JOINT**



AT PARAPET



AT SIDEWALK OR MEDIAN

Shorter plates with a single row of studs at 12" cts. may be necessary on medians which are shallower than 9". See manufacturer's recommendation.

TYPICAL END TREATMENTS

Notes:

The strip seal shall be made continuous and shall have a minimum thickness of 1/4". The configuration of the strip seal shall match the configuration of the Locking Edge Rails. Open or "webbed" strip seal gland configurations are not permitted. The gland shall be sized for a maximum rated movement of 4 inches.

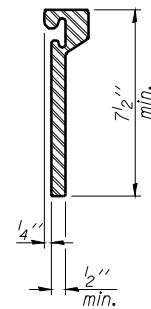
The Locking Edge Rails depicted are conceptual only, except for the minimum dimensions shown. The actual configuration of the Locking Edge Rails and matching strip seal may vary from manufacturer to manufacturer. Flanged edge rails will not be allowed. Locking Edge Rails may be spliced at slope discontinuities.

The manufacturer's recommended installation methods shall be followed.

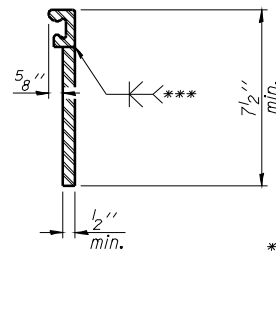
The joint opening and deck dimensions detailed on the superstructure are based on a rolled rail expansion joint. If the Contractor elects to use the welded rail expansion joint, the opening and deck dimensions shall be modified according to the dimensions detailed on this sheet. Required modifications shall be made at no additional cost to the State.

All steel components shall be galvanized after fabrication according to Article 520.03 of the Standard Specifications.

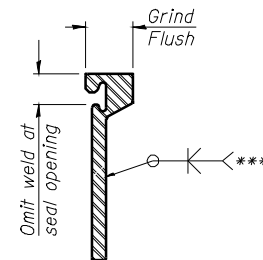
Maximum space between rail segments at stage lines shall be 3/16", sealed with a suitable sealant.



**ROLLED
EXTRUDED RAIL**



WELDED RAIL



*** Back gouge not required if complete joint penetration is verified by mock-up.

**LOCKING EDGE
RAIL SPLICE**

The inside of the locking edge rail groove shall be free of weld residue.

Rolled rail shown, welded rail similar.

LOCKING EDGE RAILS

BILL OF MATERIAL

Item	Unit	Total
Preformed Joint Strip Seal	Foot	203.0

**PREFORMED JOINT STRIP SEAL
STRUCTURE NO. 001-0064 & 0065**

SHEET NO. 11	F.A. RTE.	SECTION	COUNTY	TOTAL SHEETS	SHEET NO.
17 SHEETS	172	1-3HB	ADAMS	165	112
			CONTRACT NO. 72A09		
FED. ROAD DIST. NO.		ILLINOIS FED. AID PROJECT			

DESIGNED	KTH
CHECKED	ADL
DRAWN	KTH
CHECKED	ADL

EJ-SSJ

**KLINGNER
& ASSOCIATES, P.C.**

Engineers • Architects • Surveyors

145 North 21st Street, Quincy, IL 62450
 4300 Paces Grand Plaza, Huntley, IL 60142
 400 N. 4th Street, Suite 100, Burlington, IL 62018
 111 W. 1st Street, Suite 100, Galena, IL 62421
 Internet Address: www.klingner.com

STATE OF ILLINOIS DESIGN FIRM # 1842738

11-1-09

Klingner & Associates P.C.

\$FILE\$