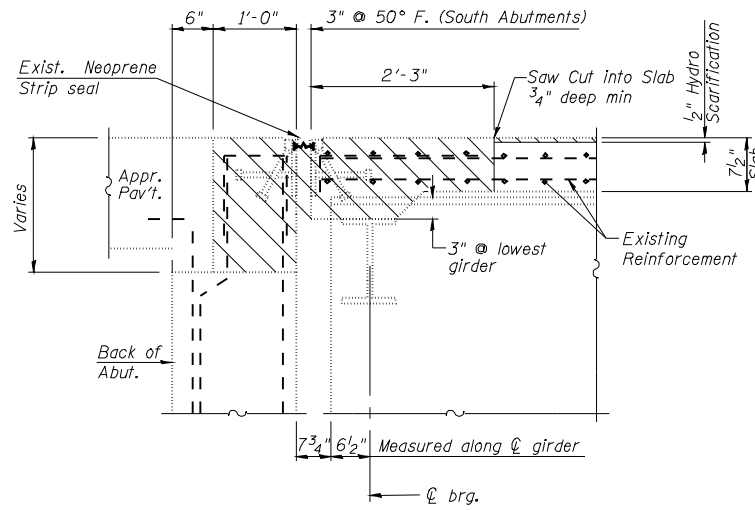
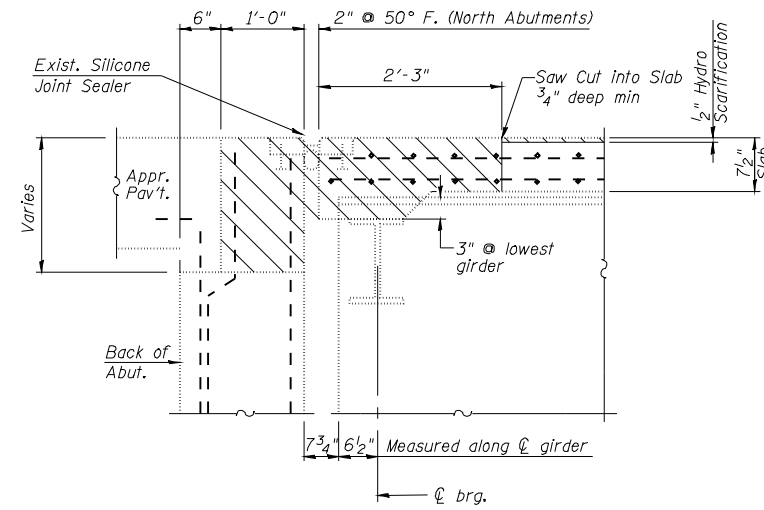


SECTION THRU EXISTING PARAPET



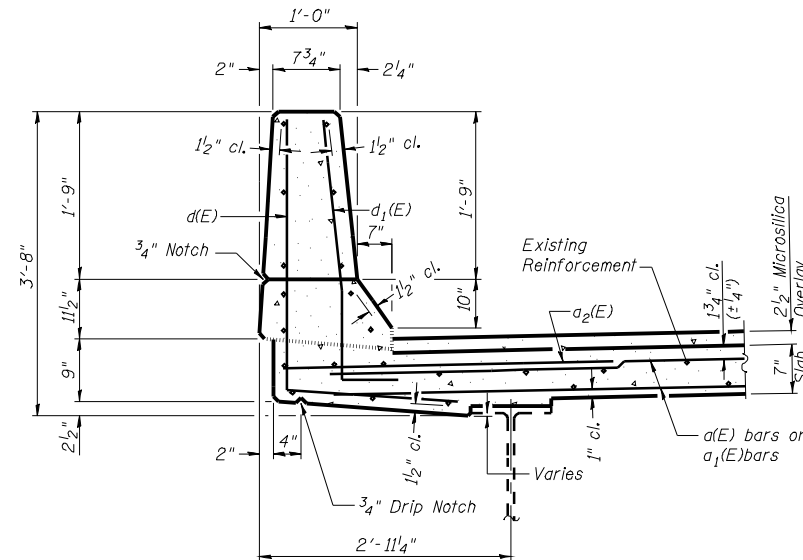
SECTION A-A



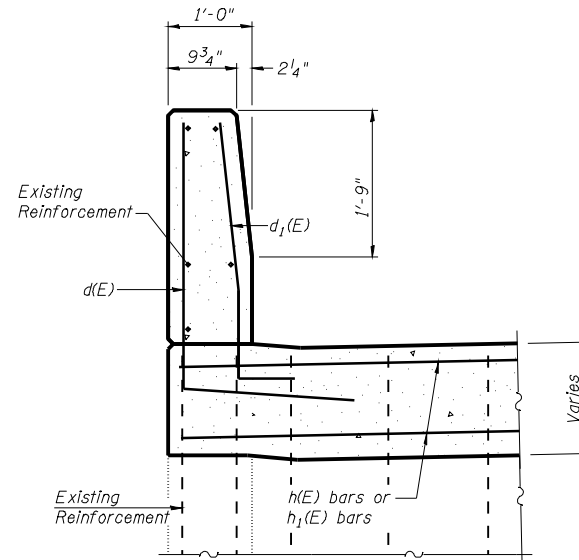
SECTION C-C

BILL OF MATERIAL

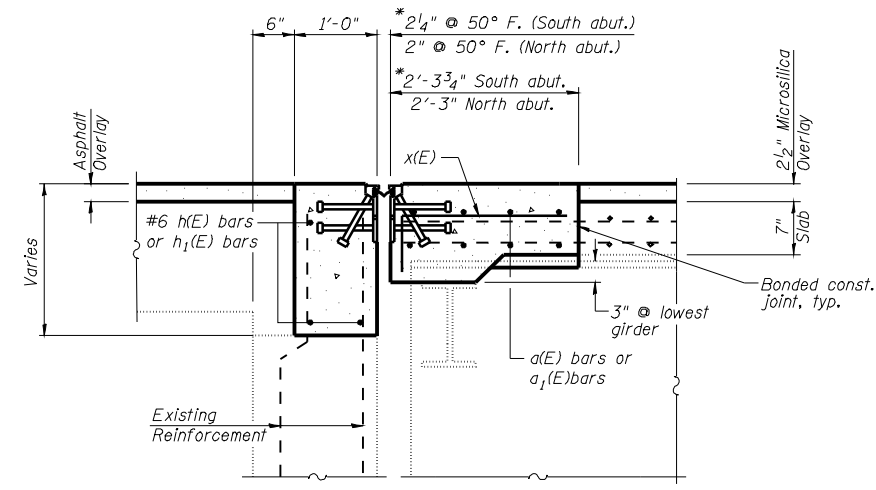
Bar	No.	Size	Length	Shape
a(E)	32	#5	27'-2"	—
a ₁ (E)	32	#5	22'-6"	—
a ₂ (E)	32	#5	4'-0"	—
d(E)	44	#5	5'-2"	┌
d ₁ (E)	44	#5	4'-2"	┌
h(E)	12	#6	27'-2"	—
h ₁ (E)	12	#6	22'-6"	—
x(E)	160	#5	3'-0"	┌
Reinforcement Bars, Epoxy Coated		Pound	3620	
Bar Splicers		Each	44	
Concrete Superstructure		Cu. Yds.	32.4	



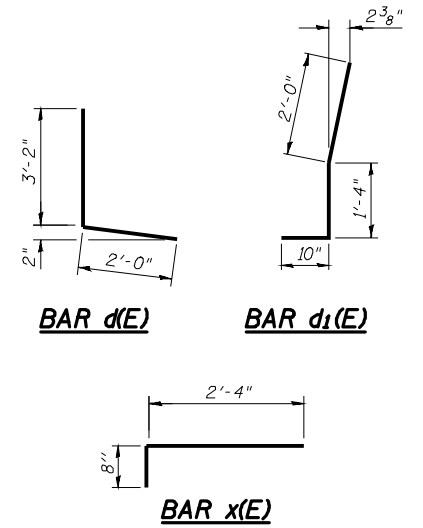
SECTION THRU PARAPET



SECTION THRU APPROACH PARAPET



SECTION B-B



* Dimensions are based on a Rolled Rail Strip Seal Joint. If the Contractor elects to use the Welded Rail Strip Seal Joint, deck dimensions may require adjustments to satisfy the details on Sheet No. 10 of 16.

Notes:
Hatched areas indicate concrete sections to be removed and replaced. Perimeters of concrete removal areas shall be saw cut 3/4 inch prior to the removal of concrete.
Existing reinforcement bars shown are to be cleaned and incorporated into the new construction.

**SUPERSTRUCTURE DETAILS
FAI 172 OVER BURTON CREEK
SN 001-0055 & 0056**

DESIGNED	KTH
CHECKED	ADL
DRAWN	KTH
CHECKED	ADL

KLINGNER & ASSOCIATES, P.C.
Engineers • Architects • Surveyors
145 North 21st Street, Barrington, IL 60010-3233-3803
4800 Paces Grand Plaza, Huntley, IL 60142-2200-8002
480 N. 14th Street, Suite 100, Burlington, IL 60109-7526-3605
111 W. 11th Street, Suite 100, Galesburg, IL 61601-3402-4042
www.klingner.com
STATE OF ILLINOIS DESIGN FIRM # 1842738

SHEET NO. 9 16 SHEETS	F.A. RTE. 172	SECTION 1-4B	COUNTY ADAMS	TOTAL SHEETS 165	SHEET NO. 127
	CONTRACT NO. 72A09			ILLINOIS FED. AID PROJECT	