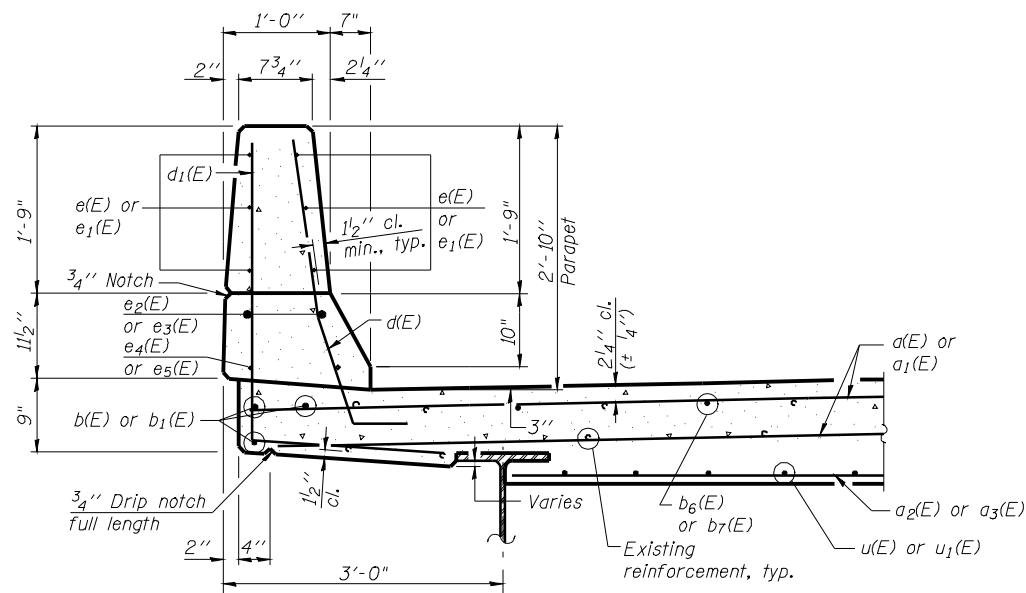
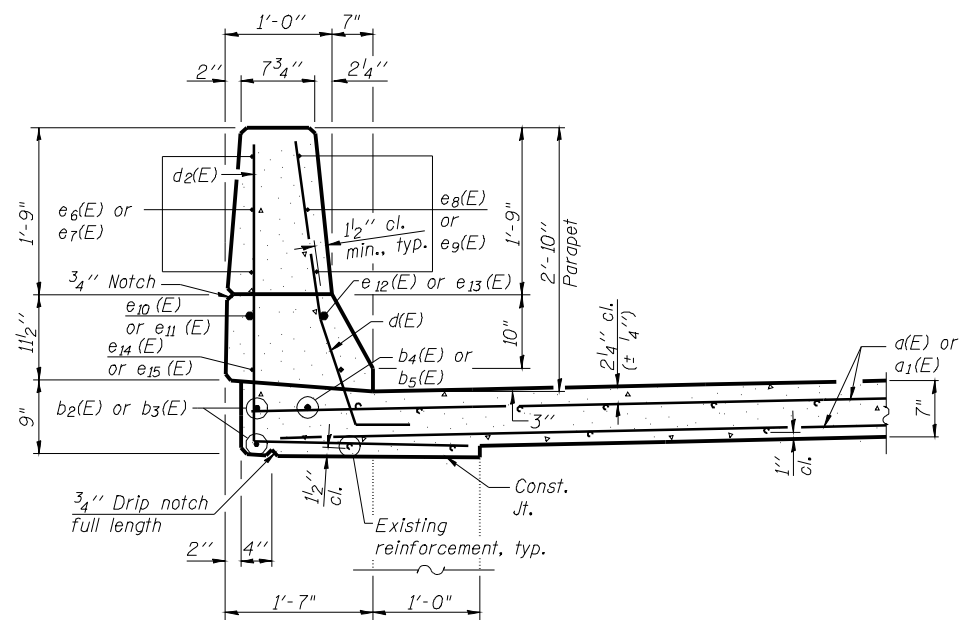


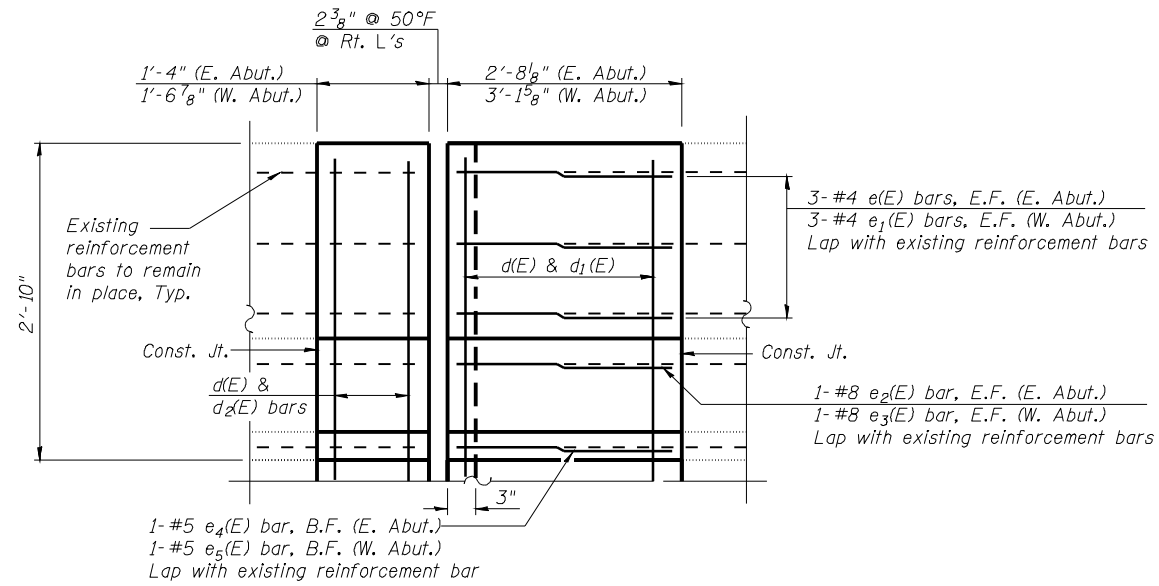
STATE OF ILLINOIS  
DEPARTMENT OF TRANSPORTATION



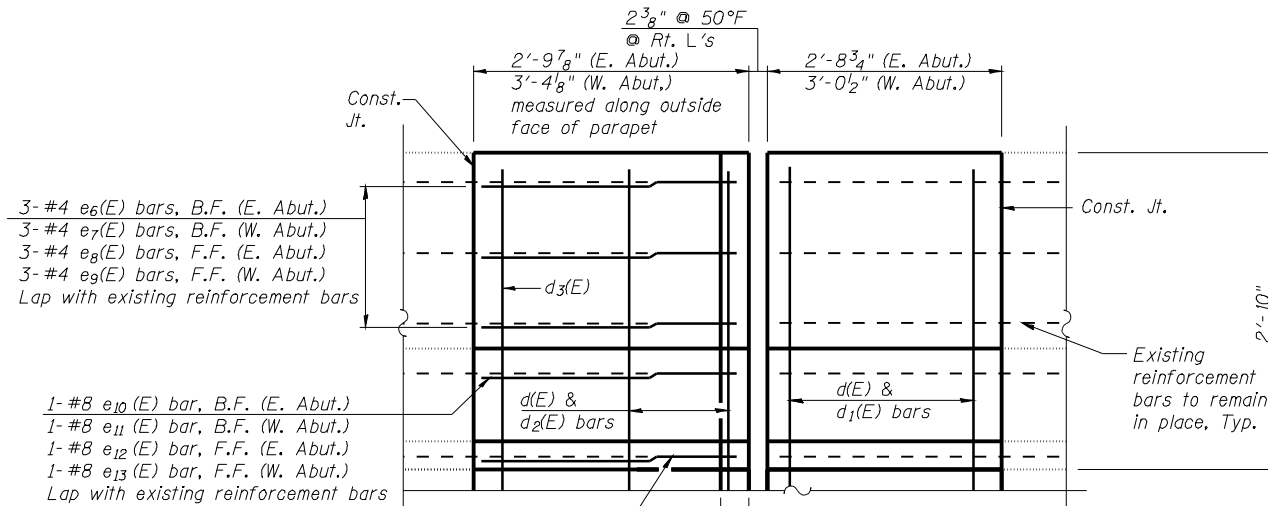
**SECTION E-E**



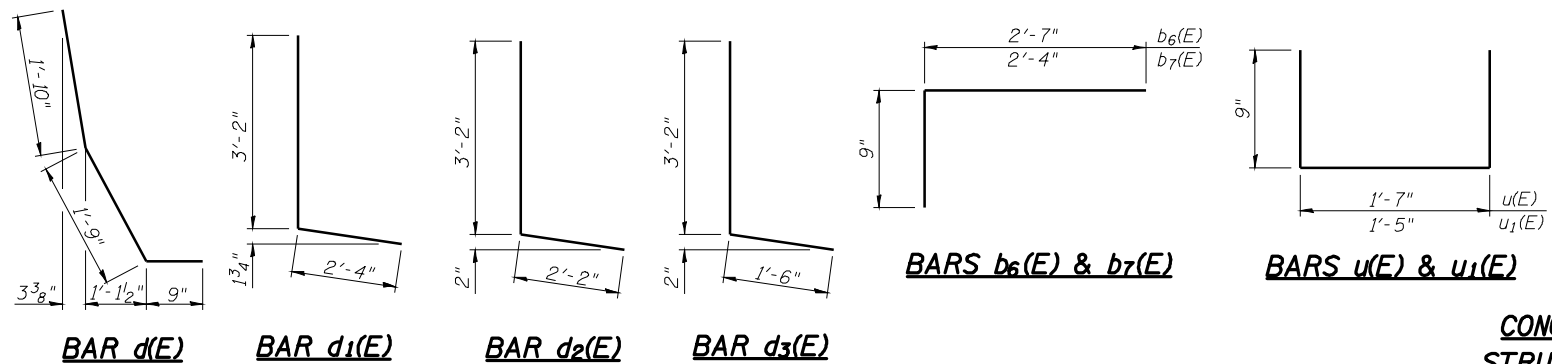
**SECTION F-F**



**SECTION C-C**



**SECTION D-D**



**BILL OF MATERIAL**

Bar	No.	Size	Length	Shape
a(E)	24	#5	22'-10"	—
a1(E)	24	#5	26'-1"	—
a2(E)	9	#5	11'-10"	—
a3(E)	9	#5	13'-6"	—
b(E)	3	#5	2'-4"	—
b1(E)	3	#5	2'-9"	—
b2(E)	2	#5	2'-6"	—
b3(E)	2	#5	3'-0"	—
b4(E)	1	#5	1'-9"	—
b5(E)	1	#5	2'-2"	—
b6(E)	30	#5	3'-4"	—
b7(E)	30	#5	3'-1"	—
d(E)	20	#5	4'-4"	—
d1(E)	12	#5	5'-6"	—
d2(E)	8	#5	5'-4"	—
d3(E)	2	#5	4'-8"	—
e(E)	6	#4	2'-4"	—
e1(E)	6	#4	2'-9"	—
e2(E)	2	#8	2'-4"	—
e3(E)	2	#8	2'-9"	—
e4(E)	1	#5	2'-4"	—
e5(E)	1	#5	2'-9"	—
e6(E)	3	#4	2'-6"	—
e7(E)	3	#4	3'-0"	—
e8(E)	3	#4	1'-9"	—
e9(E)	3	#4	2'-2"	—
e10(E)	1	#8	2'-6"	—
e11(E)	1	#8	3'-0"	—
e12(E)	1	#8	1'-9"	—
e13(E)	1	#8	2'-2"	—
e14(E)	1	#5	2'-6"	—
e15(E)	1	#5	3'-0"	—
u(E)	24	#4	3'-1"	—
u1(E)	24	#4	2'-11"	—
Reinforcement Bars, Epoxy Coated			Pound	2110
Concrete Superstructure			Cu. Yds.	13.1

Bars indicated thus 4x2-#5 etc. indicates 4 lines of bars with 2 lengths per line.

**CONCRETE DETAILS-2  
STRUCTURE NO. 001-0061**

	SHEET NO. 4	F.A.I. RTE. 172	SECTION 1-5HB	COUNTY ADAMS	TOTAL SHEETS 165	SHEET NO. 155
	6 SHEETS	CONTRACT NO. 72A09				
Designed By: ESH Checked By: MTH Date: 11/2009		Drawn By: ESH File: 001-0061.dwg		FED. ROAD DIST. NO. ILLINOIS FED. AID PROJECT		