

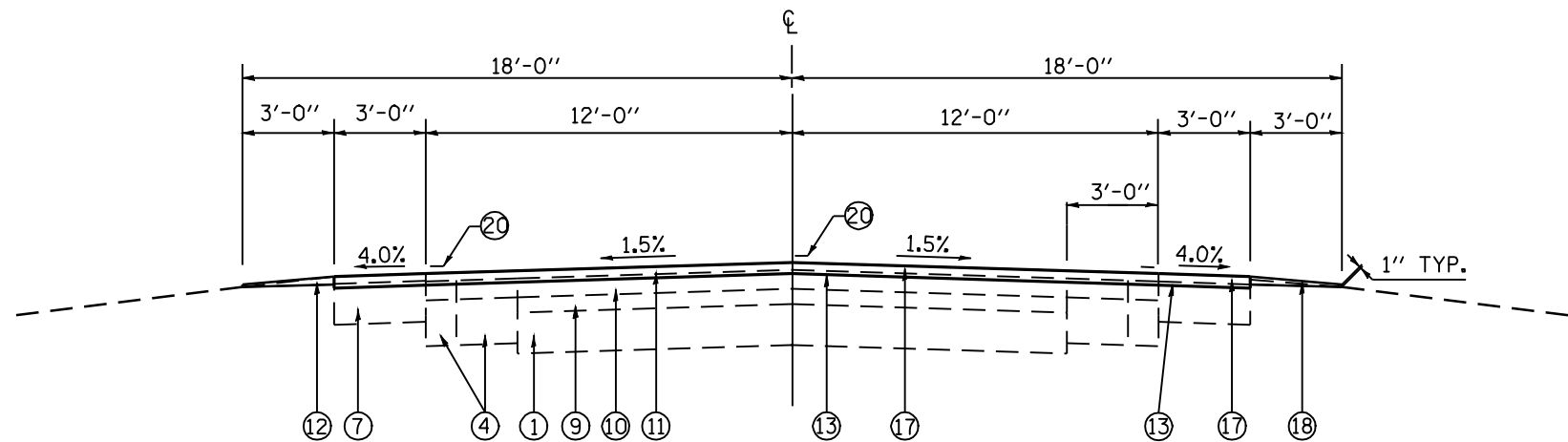
TYPICAL SECTION #2
 STA. STA. 937+02.10 TO STA. 982+05.00

NOTE #1
 REMOVE AND REPLACE COMBINATION CONCRETE CURB AND GUTTER, TYPE B-6.24 FROM RT. STA. 937+30 TO RT. STA. 940+86 (SEE PLAN AND PROFILE SHEET FOR DETAILS) & NORTH RADIUS RETURNS AT 10TH STREET (SEE IL 104 & 10TH ST. INTERSECTION FOR DETAILS)

***FULL S.E. = 1.5%
 STA. 976+33.25 TO STA. 986+03.52
 S.E. TRANSITION:
 STA. 975+56.67 TO STA. 976+33.25
 STA. 986+03.52 TO STA. 986+80.20

LEGEND

- 1 EXISTING 8" PCC PAVEMENT
- 2 EXISTING 9-6-9 PCC PAVEMENT
- 3 EXISTING HMA BASE COURSE 9"
- 4 EXISTING HMA BASE COURSE WIDENING 9"
- 5 EXISTING CCC & G TY.B 6.24
- 6 EXISTING SUB-BASE GRANULAR MAT. TYPE B 4"
- 7 EXISTING HMA SHOULDERS 8"
- 8 EXISTING HMA SHOULDERS 1 1/2"
- 9 EXISTING HMA OVERLAY 2 1/2"
- 10 EXISTING HMA OVERLAYS 3 3/4"
- 11 EXISTING HMA SURFACE 1 1/2"
- 12 EXISTING AGG. SHOULDER
- 13 PROPOSED SURFACE REMOVAL 2"
- 14 PROPOSED SURFACE REMOVAL VARIABLE DEPTH
- 15 PROPOSED LEVEL BINDER (MM) N70 (3/4")
- 16 PROPOSED HMA SURFACE COURSE, MIX "D",N70 (1 1/2")
- 17 PROPOSED HMA SURFACE COURSE MIX "D",N70 (2")
- 18 PROPOSED AGG. SHOULDER, TYPE B
- 19 PROPOSED RUMBLE STRIP
- 20 PROPOSED PAVEMENT MARKING 5"



TYPICAL SECTION #1
 STA. 935+65.00 TO STA. 937+02.10

FILE NAME =	USER NAME = laughlinr1	DESIGNED -	REVISED -	STATE OF ILLINOIS DEPARTMENT OF TRANSPORTATION	TYPICAL SECTIONS			F.A.P. RTE.	SECTION	COUNTY	TOTAL SHEETS	SHEET NO.
es:\pwork\pwork\LAUGHLINRL\0122712\0672062-sh-typical.dgn		DRAWN -	REVISED -		753	141RS-6&142RS-6	•	62	5			
PLOT SCALE = 6.0000' / IN.		CHECKED -	REVISED -		CONTRACT NO. 72B13							
PLOT DATE = Feb-05-2010 11:45:28AM		DATE -	REVISED -		SCALE:	SHEET NO.	OF SHEETS	STA.	TO STA.	ILLINOIS FED. AID PROJECT		

SANGAMON COUNTY