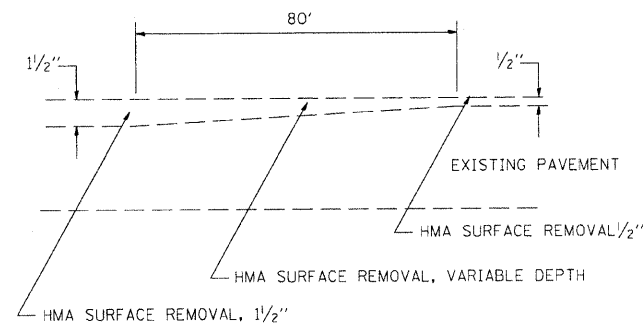
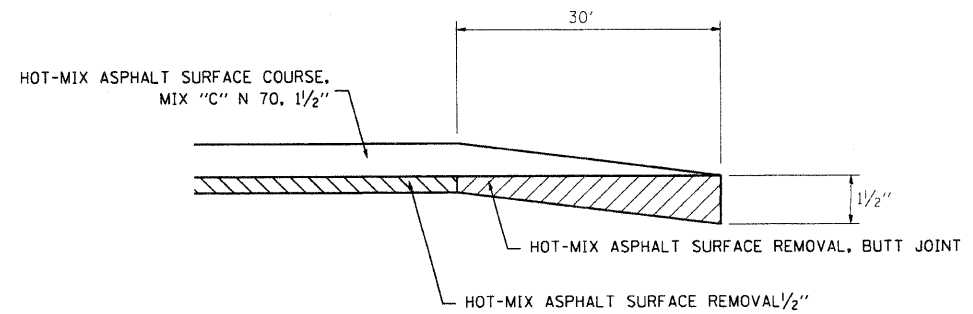


TYPICAL FOR INLAY SECTIONS  
 STA 549+88 TO STA 564+74  
 STA 581+51 TO STA 596+50  
 STA 623+82 TO STA 646+10



TRANSITION DETAIL  
 STA 266+40 TO STA 267+20  
 STA 295+60 TO STA 296+40  
 STA 549+08 TO STA 549+88  
 STA 564+74 TO STA 565+54  
 STA 596+50 TO STA 597+30  
 STA 623+02 TO STA 623+82  
 STA 648+10 TO STA 646+90



BUTT JOINT DETAIL  
 STA 241+50 TO STA 241+80  
 STA 579+49 TO STA 579+79  
 STA 725+50 TO STA 725+80

FILE NAME =	USER NAME = teasleyck	DESIGNED -	REVISED -	<b>STATE OF ILLINOIS DEPARTMENT OF TRANSPORTATION</b>	<b>TYPICALS &amp; BUTT JOINT DETAIL</b>			F.A.S. RTE.	SECTION	COUNTY	TOTAL SHEETS	SHEET NO.
\\pwork\pwork\1001\TEASLEYCK\d0150346\0	74134-sht-typicals.dgn	DRAWN -	REVISED -		SCALE:	SHEET NO. OF SHEETS	STA. TO STA.	2701	(103.104)RS-4	.		5
	PLOT SCALE = 100.0000 ' / IN.	CHECKED -	REVISED -					CONTRACT NO. 74134				
	PLOT DATE = 1/25/2010	DATE -	REVISED -					ILLINOIS FED. AID PROJECT				