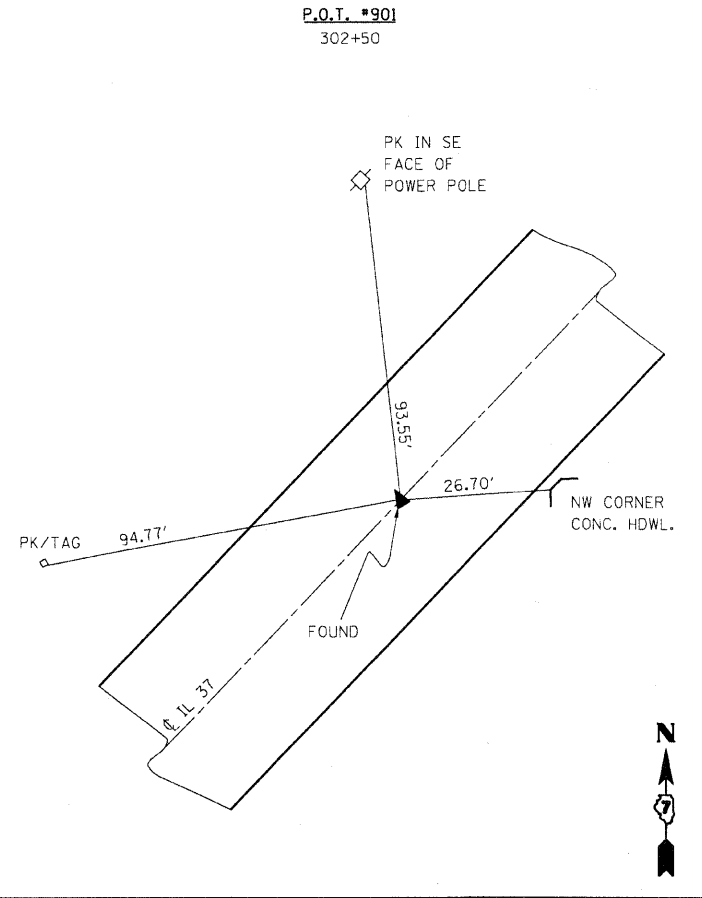
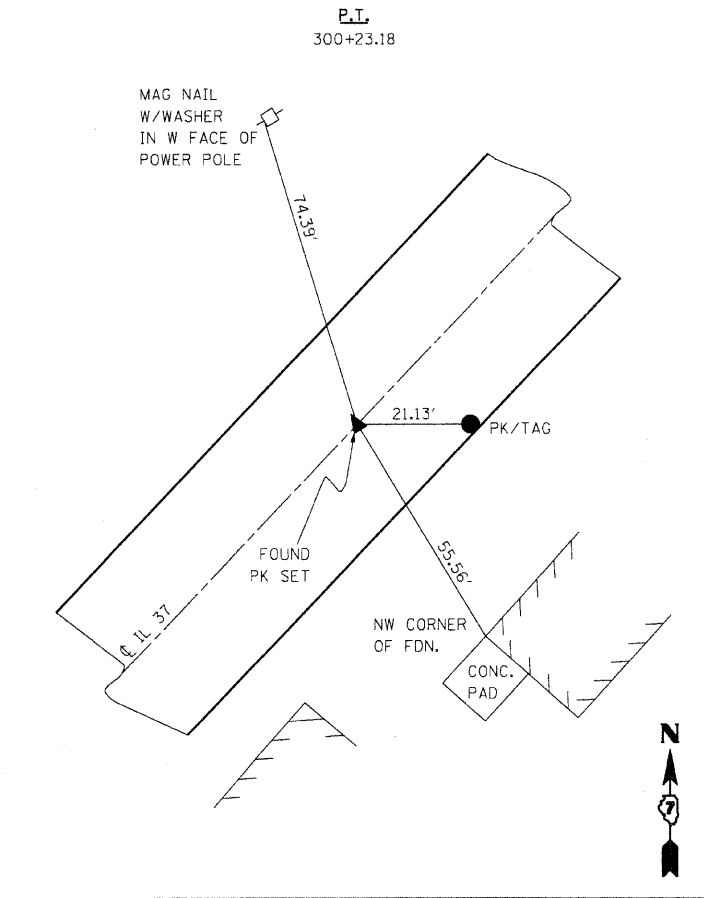
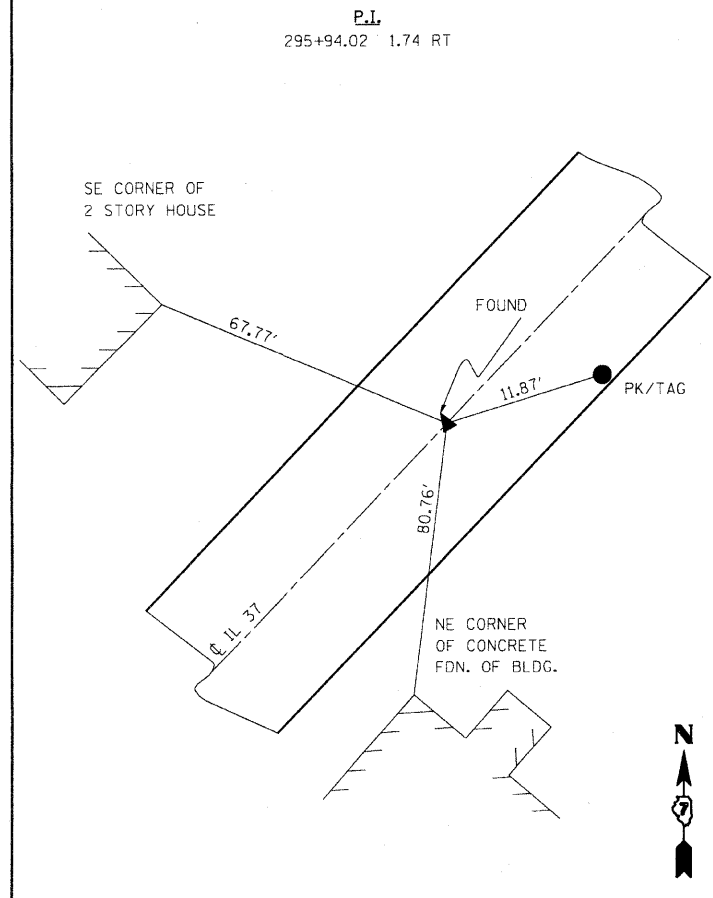


PERMANENT SURVEY MARKERS, TYPE 1

STATION	DESCRIPTION	QUANTITY
284+26.42	POT	1 EACH
291+28	POT	1 EACH
291+64.85	PI	1 EACH
295+94.02	PI	1 EACH
300+23.18	PT	1 EACH
302+50	POT	1 EACH
TOTAL		6 EACH



FILE NAME =	USER NAME = teasleyck	DESIGNED -	REVISED -
ca:\pwwork\p1007\TEASLEYCK\8150346\0774134\sh-ties.dgn		DRAWN -	REVISED -
		CHECKED -	REVISED -
		DATE -	REVISED -

**STATE OF ILLINOIS
DEPARTMENT OF TRANSPORTATION**

SURVEY TIES

SCALE:	SHEET NO.	OF	SHEETS	STA.	TO STA.
--------	-----------	----	--------	------	---------

F.A.S. RTE.	SECTION	COUNTY	TOTAL SHEETS	SHEET NO.
2701	(103.104)RS-4		6	6
ILLINOIS FED. AID PROJECT			CONTRACT NO. 74134	