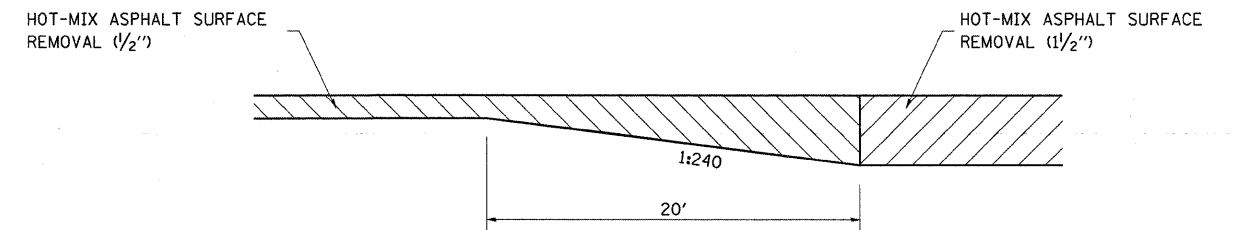
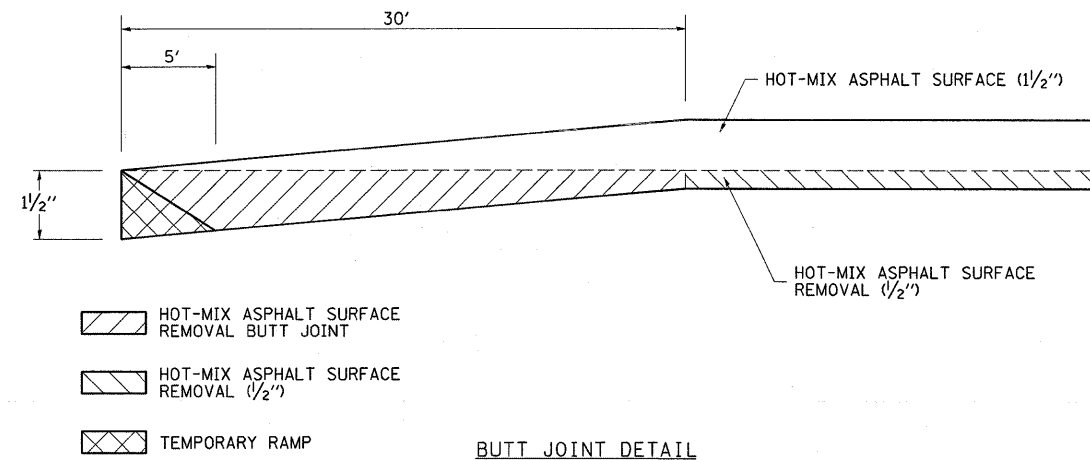


PAVING SCHEDULE

STATION TO STATION	LENGTH	PAVEMENT WIDTH	AREA	BITUMINOUS MATERIALS (PRIME COAT)	AGGREGATE (PRIME COAT)	HMA SURFACE COURSE, MIX "C", N70	HMA SURFACE REMOVAL - BUTT JOINT	HOT-MIX ASPHALT SURFACE REMOVAL, 1 1/2"	HOT-MIX ASPHALT SURFACE REMOVAL, 1 1/2"	AGGREGATE SHOULDERS, TYPE B	TEMPORARY RAMP
181+56 TO 424+26	24270	24	64720.0	6472.0	129.4	5436.5	160.0	64720.0		1084.9	26.6
424+26 TO 425+37	111	28	345.3	34.5	0.7	29.0			345.3		
425+37 TO 428+90	353	OMISSION									
428+90 TO 429+92	102	28	317.3	31.7	0.6	26.7			317.3		
429+92 TO 723+55	29363	24	78301.3	7830.1	156.6	6577.3	80.0	78301.3		1310.6	13.3
723+55 TO 724+58	103	28	320.4	32.0	0.6	26.9	80.0		320.4		13.3
724+58 TO 729+13	455	OMISSION									
729+13 TO 730+46	133	28	413.8	41.4	0.8	34.8	80.0		413.8		13.3
730+46 TO 759+80	2934	24	7824.0	782.4	15.6	657.2		7824.0		139.2	
759+80 TO 767+47	767	28	2386.2	238.6	4.8	200.4		2386.2		18.2	
767+47 TO 770+65	318	32	1130.7	113.1	2.3	95.0	80.0	1130.7			13.3
770+65 TO 774+76	411	OMISSION									
774+76 TO 777+81	305	24	813.3	81.3	1.6	68.3	160.0	813.3		14.5	26.6
777+81 TO 780+07	226	OMISSION									
780+07 TO 826+00	4593	24	12248.0	1224.8	24.5	1028.8	160.0	12248.0		191.2	26.6
TOTALS	64444		168820	16882	338	14181	800	167424	1397	2759	133

PAVEMENT MARKING SCHEDULE

STATION TO STATION	LENGTH	SHORT TERM PAVEMENT MARKING	WORK ZONE PAVEMENT MARKING REMOVAL	PAINT PAVEMENT MARKING - LINE 4"	TEMPORARY PAVEMENT MARKING - LINE 4"	RAISED REFLECTIVE PAVEMENT MARKER
181+56 TO 348+69	16713.0	3342.6	557.1	37319.3	37319.3	209
348+69 TO 356+16	747.0	149.4	24.9	2427.8	2427.8	9
356+16 TO 360+71	455.0	91.0	15.2	784.8	784.8	6
360+71 TO 363+30	259.0	51.8	8.6	841.8	841.8	3
363+30 TO 367+54	424.0	84.8	14.1	1696.0	1696.0	5
367+54 TO 373+44	590.0	118.0	19.7	1917.5	1917.5	7
373+44 TO 376+36	292.0	58.4	9.7	574.0	574.0	4
376+36 TO 383+90	754.0	150.8	25.1	2450.5	2450.5	9
383+90 TO 392+72	882.0	176.4	29.4	1763.5	1763.5	11
392+72 TO 403+84	1112.0	222.4	37.1	3614.0	3614.0	14
403+84 TO 409+07	523.0	104.6	17.4	2092.0	2092.0	7
409+07 TO 420+92	1185.0	237.0	39.5	3851.3	3851.3	15
420+92 TO 447+34	2642.0	528.4	88.1	5944.5	5944.5	29
447+34 TO 457+26	992.0	198.4	33.1	3224.0	3224.0	12
457+26 TO 460+65	339.0	67.8	11.3	762.8	762.8	4
460+65 TO 468+36	771.0	154.2	25.7	2387.8	2387.8	10
468+36 TO 497+60	2924.0	584.8	97.5	6579.0	6579.0	37
497+60 TO 508+22	1062.0	212.4	35.4	3257.5	3257.5	13
508+22 TO 509+53	131.0	26.2	4.4	524.0	524.0	2
509+53 TO 521+14	1161.0	232.2	38.7	3773.3	3773.3	14
521+14 TO 693+28	17214.0	3442.8	573.8	37744.5	37744.5	215
693+28 TO 698+98	570.0	114.0	19.0	1584.5	1584.5	7
698+98 TO 702+65	367.0	73.4	12.2	825.8	825.8	5
702+65 TO 707+86	521.0	104.2	17.4	1693.3	1693.3	7
707+86 TO 766+41	5855.0	1171.0	195.2	13173.8	13173.8	68
766+41 TO 774+67	826.0	165.2	27.5	2684.5	2684.5	5
774+67 TO 775+33	66.0	13.2	2.2	148.5	148.5	1
775+33 TO 785+01	968.0	193.6	32.3	3146.0	3146.0	9
785+01 TO 826+00	4099.0	819.8	136.6	7742.8	7742.8	51
TOTALS	60345	12889	2148	154529	154529	788



MILLING TRANSITION DETAIL

STA 424+06 TO STA 424+26
 STA 429+92 TO STA 430+12
 STA 723+35 TO STA 723+55
 STA 724+58 TO STA 724+78
 STA 728+93 TO STA 729+13
 STA 730+46 TO STA 730+66